

4

3

2

1

THIS DRAWING IS UNPUBLISHED. RELEASED FOR PUBLICATION  
© COPYRIGHT BY TYCO ELECTRONICS CORPORATION. ALL RIGHTS RESERVED.

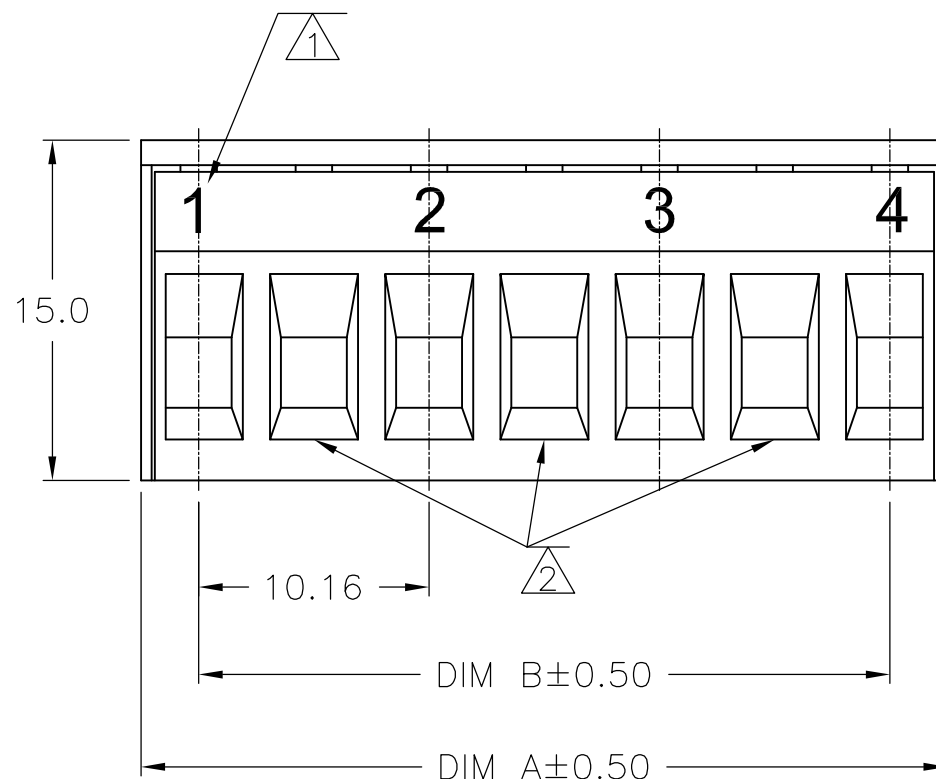
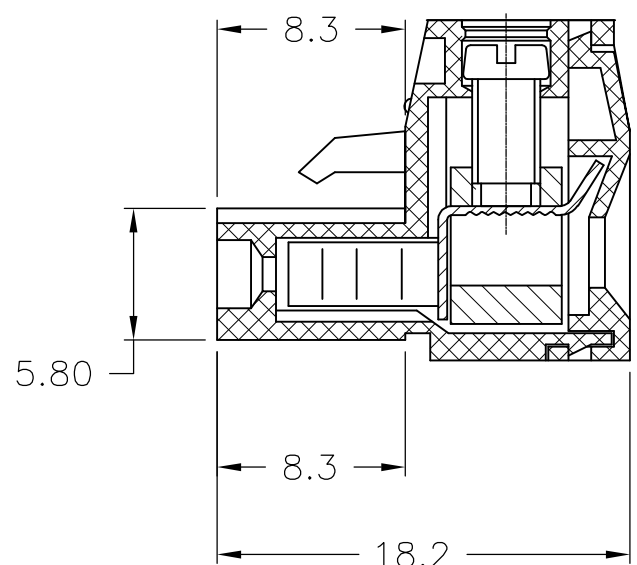
LOC FT	DIST 0	REVISIONS			
P	LTR	DESCRIPTION	DATE	DWN	APVD
	A1	REVISED PER ECO-07-015283	6/28/07	SS	CR

MATERIAL:  
 HOUSING: PA66, UL94V-0, BLACK  
 COVER: PA66, UL94V-0, BLACK  
 CONTACT: BRONZE  
 BLOCK: BRASS  
 SCREW: STEEL, ZINC PLATED

ELECTRICAL:  
 CURRENT: 300V, 18A  
 DIELECTRIC WITHSTAND: AC 2500V FOR 1 MIN  
 BREAKDOWN VOLTAGE: 4000V  
 WIRE RANGE: 12-26 AWG

OPERATING TEMP.: -40°C TO +105°C  
 MAX SCREW TORQUE: 5 IN-LB

- ① WHITE PERMANENT INK MARKING.
- ② PART SKIP LOADED THESE POSITIONS EMPTY.



30.48	35.56	4	1-1776770-4
DIM B	DIM A	NO OF POS	PART NUMBER

THIS DRAWING IS A CONTROLLED DOCUMENT.		DWN S SCHLEGEL 28MAR2007	Tyco Electronics Corporation Harrisburg, PA 17105-3608	
DIMENSIONS: mm	TOLERANCES UNLESS OTHERWISE SPECIFIED:	CHK C RICHARD 3/28/07	NAME R/A PLUG, 10.16mm PITCH	
	0 PLC ± - 1 PLC ± 0.4 2 PLC ± 0.25 3 PLC ± - 4 PLC ± - ANGLES ± 1	APVD C RICHARD 3/28/07	PRODUCT SPEC -	
MATERIAL -	FINISH -	APPLICATION SPEC -	SIZE A3	RESTRICTED TO -
		WEIGHT -	CAGE CODE 00779	DRAWING NO 1776770
		CUSTOMER DRAWING	SCALE NTS	SHEET 1 OF 1
			REV A1	