



10W Wall Plug Series PSC12x Adapter Series Meets EISA and Level V Efficiency



Features

- Double Insulated
- Less Than 0.3W No-Load Current
- Efficiency Level V Compliance
- Class B EMI
- Over Voltage Protection
- Over Current Protection

Applications

- Wireless Communications
- Networking
- Portable Equipment
- Peripherals

Safety Approvals

- cUL/UL (for PSC12A)
- SAA (for PSC12S)
- Ecodesign ErP Directive 2009/125/EC (for PSC12E and PSC12K)
- CE (for PSC12E & PSC12K)
- C-Tick (for PSC12S)
- CCC (for PSC12C)

Mechanical Characteristics ⁽¹⁾

- Length: 71.7mm (2.82in)
- Width: 45 (1.77in)
- Height: 49.1mm (1.93in)
- Weight: 75g (2.65oz)

Output Specifications

Model ⁽⁴⁾	DC Output Voltage	Load		Ripple ⁽²⁾ P-P (max.)	Regulation Line & Load
		Min.	Max.		
PSC12x-050-R ⁽³⁾	5V	0A	2.0A	200mV	±5%
PSC12x-599-R ⁽³⁾	5.99V	0A	1.669A	200mV	±5%
PSC12x-090-R ⁽³⁾	9V	0A	1.11A	180mV	±5%

(1) Mechanical characteristics for PSC12A models

(2) Measured with an oscilloscope with 20MHz (or over) bandwidth. Outputs should be bypassed at a connector with a 0.1uF ceramic capacitor and a 10uF electrolytic capacitor.

(3) X = A for US version, E for EU version, K for UK version, S for Australian version, C for Chinese version

(4) Minimum order quantities of 2500 pieces apply for all models.

Phihong is not responsible for any error, and reserves the right to make changes without notice. Please visit our website at www.phihong.com for the most up-to-date specifications and contact information.

Input:**AC Input Voltage Rating**

100 to 240VAC

AC Input Voltage Range

90 to 264VAC

AC Input Frequency

47 to 63Hz

Input Current

0.5A (RMS) maximum at 120VAC

0.25A (RMS) maximum at 240VAC

Leakage Current

0.25A maximum at 264VAC

Inrush Current (Cold Start at ambient

25°C)

30A for 120VAC and maximum load

60A for 240VAC at maximum load

Input Power Saving

0.3W maximum at no load

Output:**Efficiency**

73.4% min average efficiency for 5V model

76.6% min average efficiency for 9V model

Hold-up Time

10mS minimum at 120VAC and maximum load

Short-Circuit Protection

Auto restart

Environmental:**Temperature**

Operation 0 to +40°C

Non-operation -40 to +85°C

Humidity 10-90% non-condensing

Emissions

Complies with FCC Class B

Complies with EN55032 Class B

Immunity

EN50082-1: (EN55024)

EN61000-4-2 Level

EN61000-4-3 Level

EN61000-4-4 Level

EN61000-4-5 Level

EN61000-4-6 Level

EN61000-4-8 Level

EN61000-4-11

Dielectric Withstand (Hi-pot) TestPrimary to Secondary: 3000V AC for 1 min.,
10mA

Primary to F.G.: 1500V AC for 1 min., 10mA

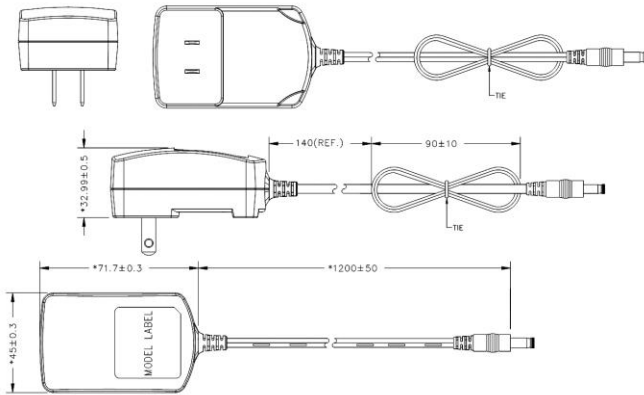
DC Output Connector

2.1 x 5.5mm Center Positive Standard

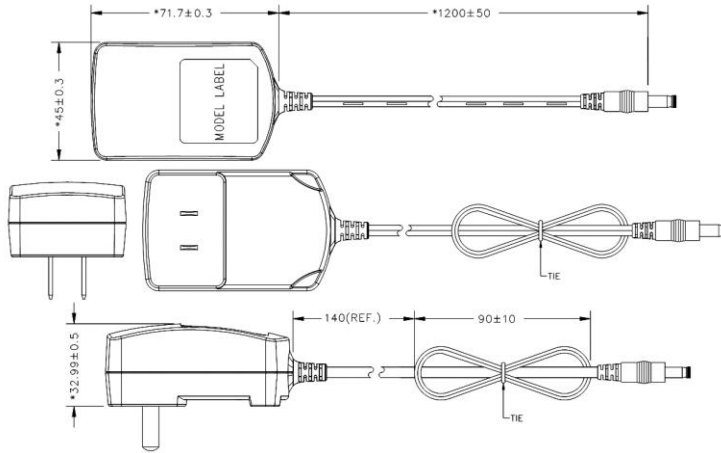
Mating Connector

Kycon KLD-0202-A or equivalent

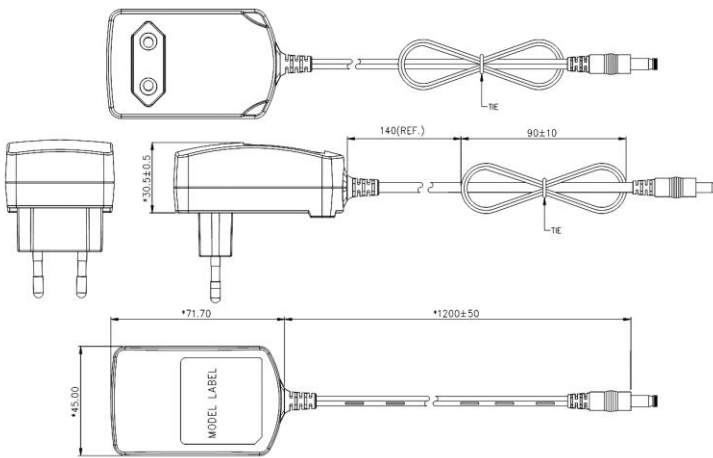
Dimension Diagram Unit: mm PSC12



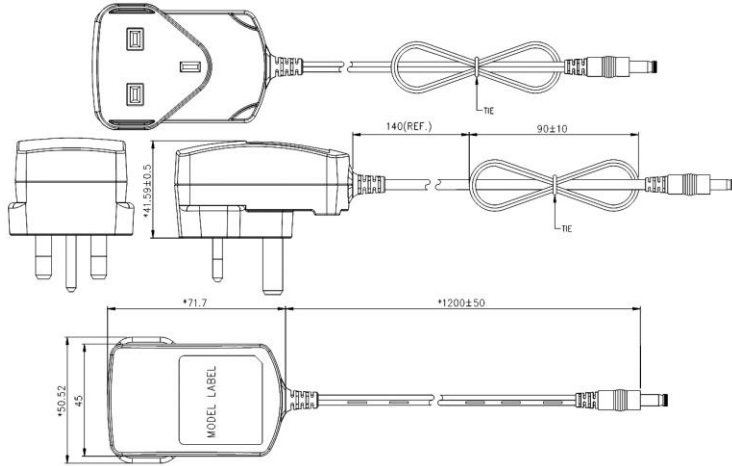
Dimension Diagram Unit: mm PSC12C



Dimension Diagram Unit: mm PSC12E



Dimension Diagram Unit: mm PSC12K



Dimension Diagram Unit: mm PSC12S

