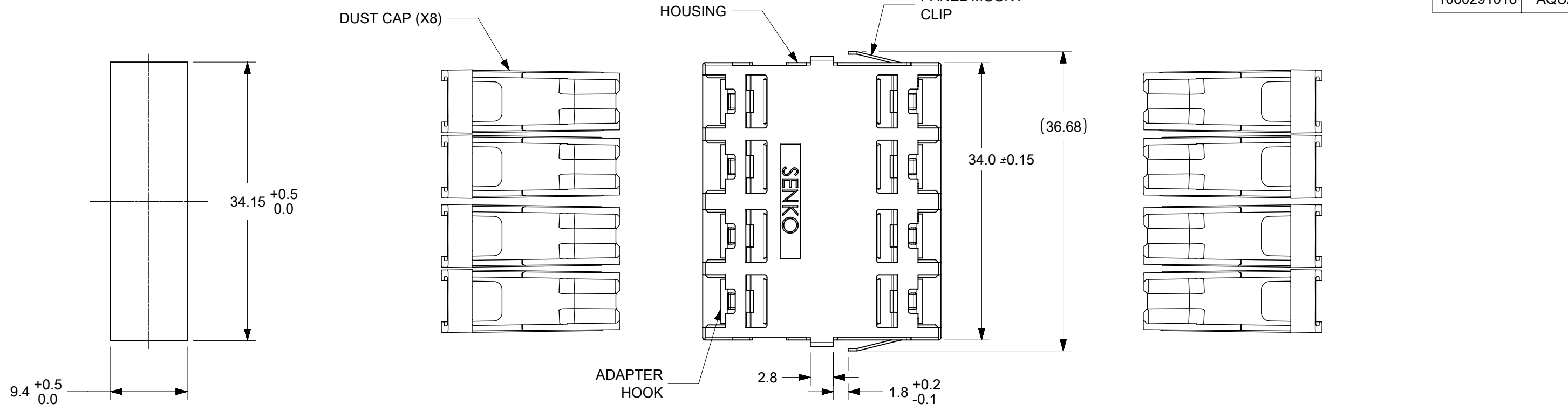
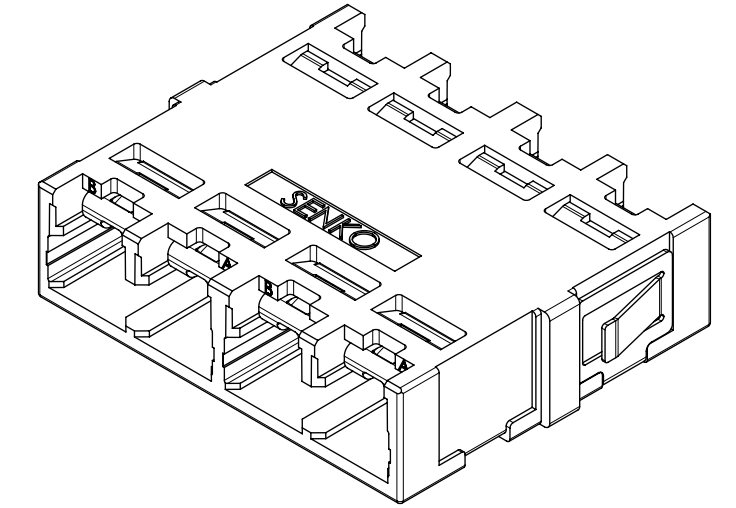
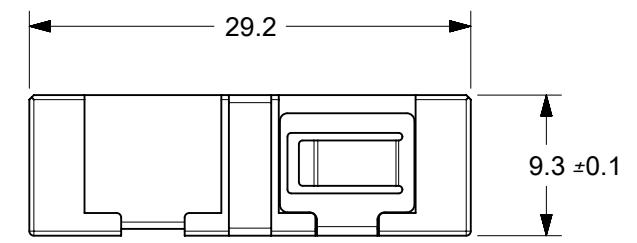
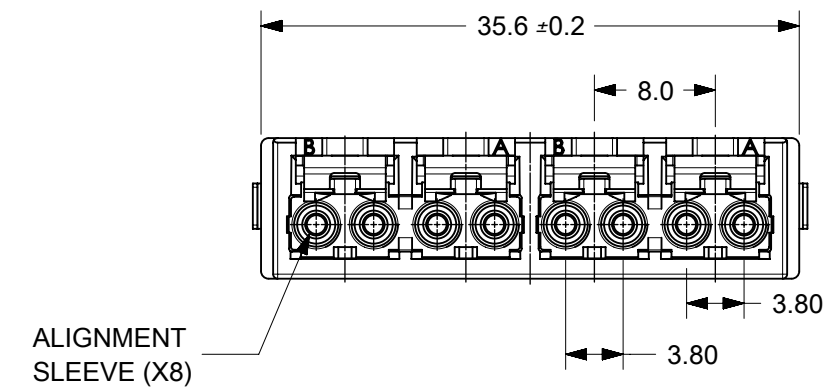


ADAPTER P/N	ADAPTER COLOR
1060291017	BLUE
1060291018	AQUA (OM3)



MOUNTING HOLE DIMENSIONS
(REFERENCE ONLY)
PANEL THICKNESS 1.7mm MAX.



DUST CAPS
NOT SHOWN

- NOTES:
1. ALL MATERIALS ARE COMPLIANT UL94 V-0.
 2. INTERFACE DIMENSIONS COMPLIANT TO TYPE CS FAMILY SPECIFICATION.

THIS DRAWING CONTAINS INFORMATION THAT IS PROPRIETARY TO MOLEX ELECTRONIC TECHNOLOGIES, LLC AND SHOULD NOT BE USED WITHOUT WRITTEN PERMISSION									
SYMBOLS		DIMENSION UNITS		SCALE		CURRENT REV DESC:			
▽ = 0	mm	2:1		EC NO: 630047					
▽ = 0	GENERAL TOLERANCES (UNLESS SPECIFIED)			DRWN: IGUMIN		2020/01/06			
▽ = 0	ANGULAR TOL ± °			CHK'D: TWANG74		2020/01/07			
▽ = 0	4 PLACES ±			APPR: TWANG74		2020/01/07			
▽ = 0	3 PLACES ±			INITIAL REVISION:					
▽ = 0	2 PLACES ±			DRWN: IGUMIN		2020/01/06			
▽ = 0	1 PLACE ±			APPR: TWANG74		2020/01/07			
▽ = 0	0 PLACES ±			DRAFT WHERE APPLICABLE MUST REMAIN WITHIN DIMENSIONS		THIRD ANGLE PROJECTION		DRAWING	
▽ = 0	SERIES		MATERIAL NUMBER		CUSTOMER		SHEET NUMBER		
B-SIZE		106029		SEE TABLE		106029		1 OF 1	

molex			
CS 8F QUAD CHANNEL ADAPTER WITHOUT FLANGE			
PRODUCT CUSTOMER DRAWING			
DOCUMENT NUMBER		DOC TYPE	DOC PART
1060291017		PSD	000
REVISION		A	