

Using the TPS2394EVM-652

User's Guide



Literature Number: SLUU456
October 2010

TPS2394 Hot Swap Controller System

1 Introduction

This User's Guide describes the setup and operation of the TPS2394 System Test Board. The TPS2394EVM-652 User Guide also provides TPS2394EVM-652 Schematic, EVM Assembly and PCB Layout and List of Materials.

2 Description

The TPS2394EVM-652 is a -10-V to -80-V module using the TPS2394 hot-swap controller with external MOSFET. At power on, the output is a current ramp to control inrush current. On an over-current condition, the controller interrupts power to the load at high speed and signals load status. Operating current, fault current and fault timer settings are hardware programmable.

2.1 Power Systems

- -48-V distributed

2.2 Telecom

- ATCA
- Micro-ATCA
- Central Office
- Base Stations

2.3 Features

- -10-V to -80-V Operation
- Programmable Linear Inrush Slew Rate
- Programmable Current Limit
- Programmable UV and OV Hysteresis and Limits
- Fault timer Eliminates Nuisance Trips
- Power Good and Fault Outputs
- Retry Controller
- LED Status Display
- A Slide Switch Controlled ENABLE Signal
- PCB Designed 5-A nominal operation (with thermal characteristics for proper MOSFET operation)
- Test Points Available to Monitor Circuit Operation

3 Schematic

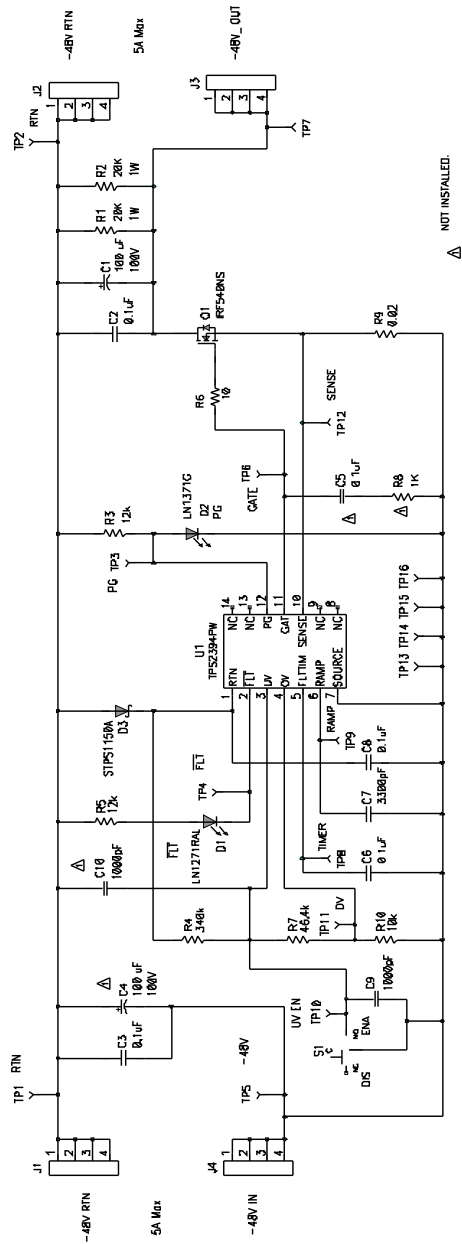


Figure 1. TPS2394EVM Schematic

4 EVM Description

4.1 Application Changes

Components may be changed for operation at other voltages, current or start-up conditions. See the design example in the TPS2394 datasheet ([TI Literature Number SLVSA9](#)) to assist with component selection.

4.2 Floating System

As the schematic is drawn, the EVM and power supply are floating with respect to GND. Therefore, a GND may be placed on any single point in the system. The GND is shown on the -48-V terminal so that UV, OV, etc. can be calculated, and viewed on the scope like positive voltage signals.

4.3 Reverse Voltage

Reverse voltage is often desired with negative voltage systems. Do not test reverse voltage directly with the TPS2394EVM. The input has an electrolytic capacitor since the EVM is used in labs with long leads to power supplies. The capacitor should be removed before attempting reverse voltage input.

NOTE: There is a series diode in the RTN line of the TPS2394. This is not strictly needed but is a good design practice.

The load is not protected from reverse voltage. There is a capacitor on the load side that should be removed in addition to removing the load for reverse voltage testing.

4.4 Output Status Logic Levels

The fault signal, $\overline{\text{FLT}}$, is a low true signal with the LED indicator and current limiting resistor between RTN and the lower rail. The signal output at the $\overline{\text{FLT}}$ test point covers the full range of the power supply.

The PG signal is high true and is connected between the LED indicator and the current limiting resistor. When the PG signal is false, it is at the negative rail. When PG is true, it is only about 1.5 V above the negative rail, the LED forward voltage drop.

The logic levels should be considered if they are used to interface remote equipment.

4.5 UV, OV

The EVM is set up to operate from 10 V to 56 V. The TPS2394 internal under voltage setting is 9 V.

4.6 Retry Controller

The TPS2394 is a retry controller. After a fault, the controller will attempt to turn the FET back on again. It turns the FET fully on when the fault is cleared

5 Test Points

Table 1. Test Points

TEST POINT	NAME	DESCRIPTION
TP1	RTN	Input voltage power supply RTN
TP2	RTN	Load side RTN
TP3	PG	Power Good
TP4	$\overline{\text{FLT}}$	Fault
TP5	-48VIN	Input voltage power supply
TP6	GATE	Gate output
TP7	-48VOUT	Output voltage
TP8	TIMER	Fault timer capacitor
TP9	RAMP	Current output ramp
TP10	EN	Enable signal, high true (and under-voltage detection)
TP11	OV	Over-voltage detection
TP12	SENSE	Current sense input
TP13	-48V SCOPE	Isolated scope return
TP14	-48V SCOPE	Isolated scope return
TP15	-48V SCOPE	Isolated scope return
TP16	-48V SCOPE	Isolated scope return

6 Connectors

Table 2. Connectors

CONNECTOR	DESCRIPTION
J1	-48 V RTN, main power input
J2	-48 V RTN
J3	-48 V output
J4	-48 V, main power input

7 Enable Switch S1

The enable slide switch turns on the hot plug controller to ramp the output voltage. When the switch is toward DIS, the output is off.

8 Indicators

- Green LED indicator for Power Good (PG)
- Red LED indicator for FAULT ($\overline{\text{FLT}}$)

9 EVM Assembly and PCB Layout

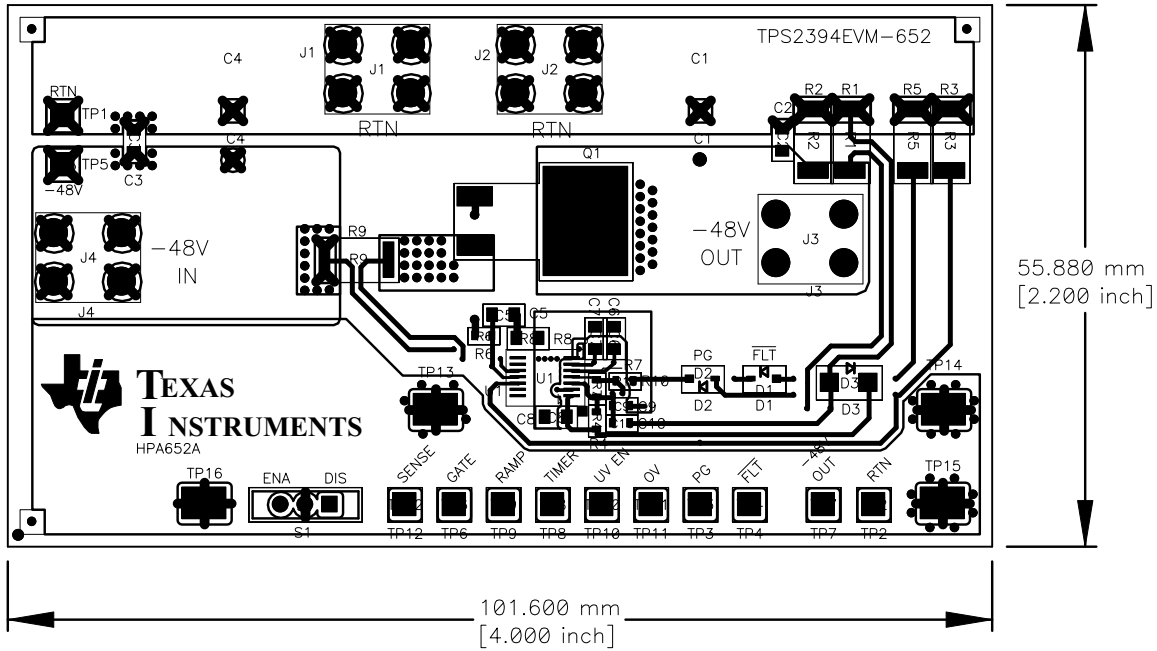


Figure 2. Board Top Side

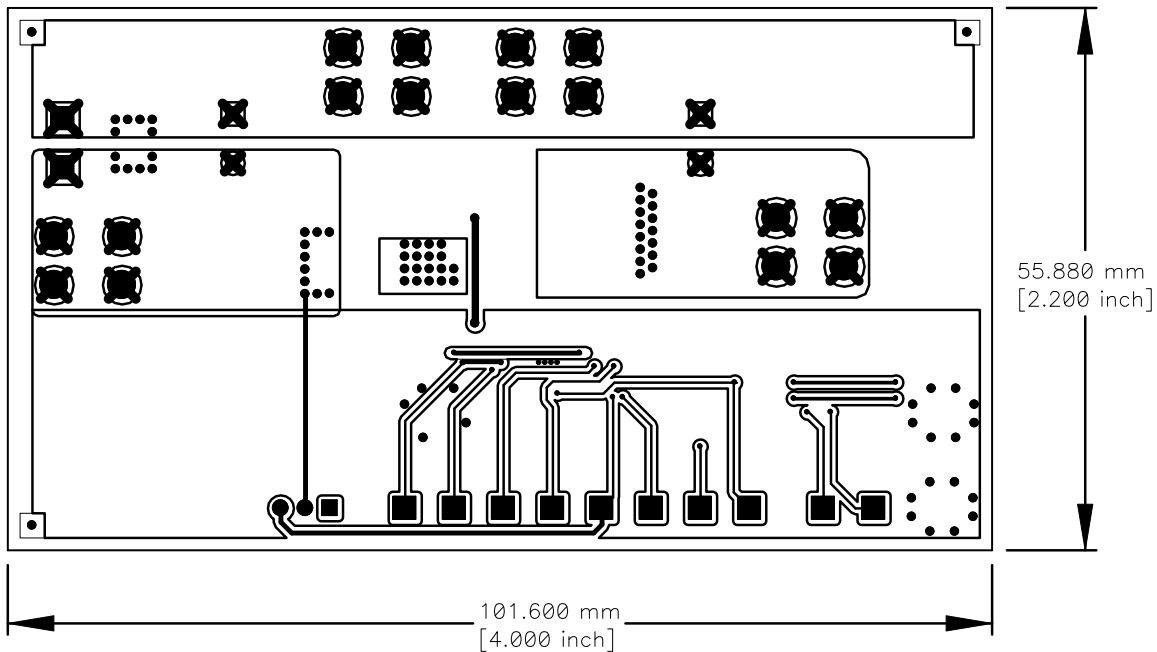


Figure 3. Board Bottom Side

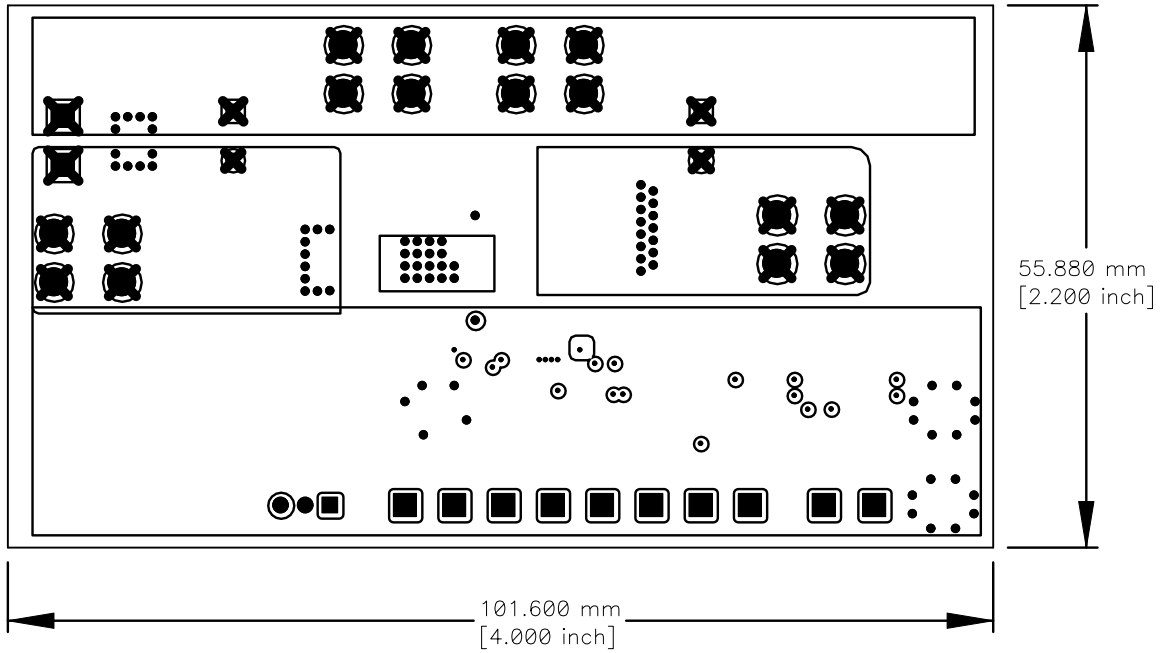


Figure 4. Board Layer 1

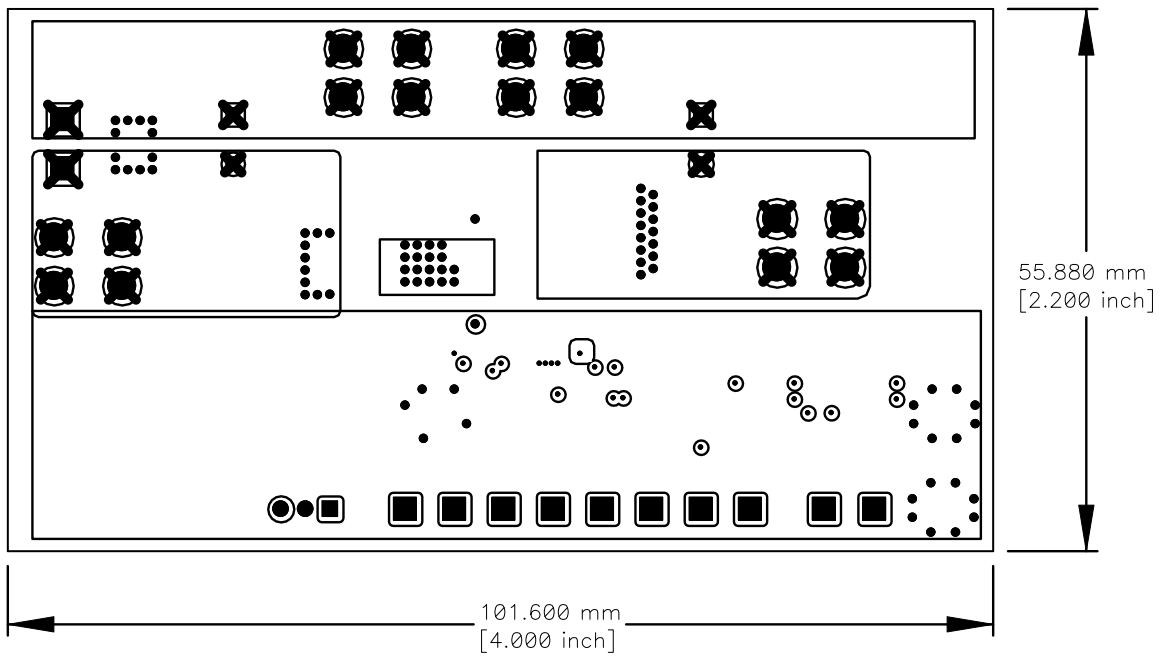


Figure 5. Board Layer 2

10 List of Materials

Table 3. TPS2394EVM List of Materials

COUNT	REF DES	DESCRIPTION	MFR	PART NUMBER
1	C1	Capacitor, aluminum, 100 V, 20% Radial Can, 100 μ F, 0.492 in.	Panasonic	EEU-FC2A101
0	C4	Capacitor, aluminum, 100 V, 20% Radial Can, 100 μ F, 0.492 in.	Panasonic	EEU-FC2A101
3	C2, C3, C8	Capacitor, ceramic, 100 V, X7R, 10%, 0.1 μ F, 805	STD	STD
0	C5	Capacitor, ceramic, 100 V, X7R, 10%, 0.1 μ F, 805	STD	STD
1	C6	Capacitor, ceramic, 25 V, X7R, 10%, 0.1 μ F, 805	STD	STD
1	C7	Capacitor, ceramic, 25 V, X7R, 10%, 3300 pF, 805	STD	STD
1	C9	Capacitor, ceramic, 100 V, XR7, 10%, 1000 pF, 603	STD	STD
0	C10	Capacitor, ceramic, 10 V, XR7, 10%, 1000 pF, 603	STD	STD
1	D1	Diode, LED, ultra bright red, 0.114 in. x 0.049 in.	Panasonic	LN1271RAL
1	D2	Diode, LED, green, 0.114 in. x 0.049 in.	Panasonic	LN1371G
1	D3	Diode, Schottky, 1000 mA, 150 V, SMA	STMicroelectronics	STPS1150A
4	J1, J2, J3, J4	Screw terminal, 0.310 in. x 0.310 in.	Keystone	7693
1	Q1	Transistor, NFET, 100 V, 33 A, 44 m Ω , D2PAK	IR	IRF540NS
2	R1, R2	Resistor, chip, 1 W, 5%, 20 k Ω , 2512	STD	STD
1	R10	Resistor, chip, 1/16 W, 1%, 10 k Ω , 603	STD	STD
2	R3, R5	Resistor, metal oxide, 1 W, 5%, 12 k Ω , 2512	STD	STD
1	R4	Resistor, chip, 1/16 W, 1%, 340 k Ω , 603	STD	STD
1	R6	Resistor, chip, 1/16 W, 1%, 10, 603	STD	STD
1	R7	Resistor, chip, 1/16 W, 1%, 46.4 k Ω , 603	STD	STD
1	R8	Resistor, chip, 1/10 W, 1%, 1 k Ω , 805	Std	Std
1	R9	Resistor, metal strip 2 W, 1%, 0.02, 2512	Stackpole	CSRN2512FK20L0
1	S1	Switch, SPDT, slide, PC-mount, 500 mA, 0.400 in. x 0.100 in.	EAO	09-03201-02
12	TP1, TP2, TP3, TP4, TP5, TP6, TP7, TP8, TP9, TP10, TP11, TP12	Test point, white, thru hole, 0.125 x 0.125 in.	Keystone	5012
4	TP13, TP14, TP15, TP16	Test point, SM, 0.150 x 0.090, 0.185 x 0.135 in.	Keystone	5016
1	U1	-48 V Hot Swap Power Manager, PW14	TI	TPS2394PW
1	--	PCB, 4 in. x 2.37 in. x 0.062 in.	Any	HPA652
4	-REF-	Bumper, rubber	SPC Tech	2566

Evaluation Board/Kit Important Notice

Texas Instruments (TI) provides the enclosed product(s) under the following conditions:

This evaluation board/kit is intended for use for **ENGINEERING DEVELOPMENT, DEMONSTRATION, OR EVALUATION PURPOSES ONLY** and is not considered by TI to be a finished end-product fit for general consumer use. Persons handling the product(s) must have electronics training and observe good engineering practice standards. As such, the goods being provided are not intended to be complete in terms of required design-, marketing-, and/or manufacturing-related protective considerations, including product safety and environmental measures typically found in end products that incorporate such semiconductor components or circuit boards. This evaluation board/kit does not fall within the scope of the European Union directives regarding electromagnetic compatibility, restricted substances (RoHS), recycling (WEEE), FCC, CE or UL, and therefore may not meet the technical requirements of these directives or other related directives.

Should this evaluation board/kit not meet the specifications indicated in the User's Guide, the board/kit may be returned within 30 days from the date of delivery for a full refund. **THE FOREGOING WARRANTY IS THE EXCLUSIVE WARRANTY MADE BY SELLER TO BUYER AND IS IN LIEU OF ALL OTHER WARRANTIES, EXPRESSED, IMPLIED, OR STATUTORY, INCLUDING ANY WARRANTY OF MERCHANTABILITY OR FITNESS FOR ANY PARTICULAR PURPOSE.**

The user assumes all responsibility and liability for proper and safe handling of the goods. Further, the user indemnifies TI from all claims arising from the handling or use of the goods. Due to the open construction of the product, it is the user's responsibility to take any and all appropriate precautions with regard to electrostatic discharge.

EXCEPT TO THE EXTENT OF THE INDEMNITY SET FORTH ABOVE, NEITHER PARTY SHALL BE LIABLE TO THE OTHER FOR ANY INDIRECT, SPECIAL, INCIDENTAL, OR CONSEQUENTIAL DAMAGES.

TI currently deals with a variety of customers for products, and therefore our arrangement with the user **is not exclusive.**

TI assumes **no liability for applications assistance, customer product design, software performance, or infringement of patents or services described herein.**

Please read the User's Guide and, specifically, the Warnings and Restrictions notice in the User's Guide prior to handling the product. This notice contains important safety information about temperatures and voltages. For additional information on TI's environmental and/or safety programs, please contact the TI application engineer or visit www.ti.com/esh.

No license is granted under any patent right or other intellectual property right of TI covering or relating to any machine, process, or combination in which such TI products or services might be or are used.

FCC Warning

This evaluation board/kit is intended for use for **ENGINEERING DEVELOPMENT, DEMONSTRATION, OR EVALUATION PURPOSES ONLY** and is not considered by TI to be a finished end-product fit for general consumer use. It generates, uses, and can radiate radio frequency energy and has not been tested for compliance with the limits of computing devices pursuant to part 15 of FCC rules, which are designed to provide reasonable protection against radio frequency interference. Operation of this equipment in other environments may cause interference with radio communications, in which case the user at his own expense will be required to take whatever measures may be required to correct this interference.

EVM Warnings and Restrictions

It is important to operate this EVM within the input voltage range of 10 V to 80 V and the output voltage range of 10 V to 80 V .

Exceeding the specified input range may cause unexpected operation and/or irreversible damage to the EVM. If there are questions concerning the input range, please contact a TI field representative prior to connecting the input power.

Applying loads outside of the specified output range may result in unintended operation and/or possible permanent damage to the EVM. Please consult the EVM User's Guide prior to connecting any load to the EVM output. If there is uncertainty as to the load specification, please contact a TI field representative.

During normal operation, some circuit components may have case temperatures greater than 50° C. The EVM is designed to operate properly with certain components above 50° C as long as the input and output ranges are maintained. These components include but are not limited to linear regulators, switching transistors, pass transistors, and current sense resistors. These types of devices can be identified using the EVM schematic located in the EVM User's Guide. When placing measurement probes near these devices during operation, please be aware that these devices may be very warm to the touch.

Mailing Address: Texas Instruments, Post Office Box 655303, Dallas, Texas 75265
Copyright © 2010, Texas Instruments Incorporated

IMPORTANT NOTICE

Texas Instruments Incorporated and its subsidiaries (TI) reserve the right to make corrections, modifications, enhancements, improvements, and other changes to its products and services at any time and to discontinue any product or service without notice. Customers should obtain the latest relevant information before placing orders and should verify that such information is current and complete. All products are sold subject to TI's terms and conditions of sale supplied at the time of order acknowledgment.

TI warrants performance of its hardware products to the specifications applicable at the time of sale in accordance with TI's standard warranty. Testing and other quality control techniques are used to the extent TI deems necessary to support this warranty. Except where mandated by government requirements, testing of all parameters of each product is not necessarily performed.

TI assumes no liability for applications assistance or customer product design. Customers are responsible for their products and applications using TI components. To minimize the risks associated with customer products and applications, customers should provide adequate design and operating safeguards.

TI does not warrant or represent that any license, either express or implied, is granted under any TI patent right, copyright, mask work right, or other TI intellectual property right relating to any combination, machine, or process in which TI products or services are used. Information published by TI regarding third-party products or services does not constitute a license from TI to use such products or services or a warranty or endorsement thereof. Use of such information may require a license from a third party under the patents or other intellectual property of the third party, or a license from TI under the patents or other intellectual property of TI.

Reproduction of TI information in TI data books or data sheets is permissible only if reproduction is without alteration and is accompanied by all associated warranties, conditions, limitations, and notices. Reproduction of this information with alteration is an unfair and deceptive business practice. TI is not responsible or liable for such altered documentation. Information of third parties may be subject to additional restrictions.

Resale of TI products or services with statements different from or beyond the parameters stated by TI for that product or service voids all express and any implied warranties for the associated TI product or service and is an unfair and deceptive business practice. TI is not responsible or liable for any such statements.

TI products are not authorized for use in safety-critical applications (such as life support) where a failure of the TI product would reasonably be expected to cause severe personal injury or death, unless officers of the parties have executed an agreement specifically governing such use. Buyers represent that they have all necessary expertise in the safety and regulatory ramifications of their applications, and acknowledge and agree that they are solely responsible for all legal, regulatory and safety-related requirements concerning their products and any use of TI products in such safety-critical applications, notwithstanding any applications-related information or support that may be provided by TI. Further, Buyers must fully indemnify TI and its representatives against any damages arising out of the use of TI products in such safety-critical applications.

TI products are neither designed nor intended for use in military/aerospace applications or environments unless the TI products are specifically designated by TI as military-grade or "enhanced plastic." Only products designated by TI as military-grade meet military specifications. Buyers acknowledge and agree that any such use of TI products which TI has not designated as military-grade is solely at the Buyer's risk, and that they are solely responsible for compliance with all legal and regulatory requirements in connection with such use.

TI products are neither designed nor intended for use in automotive applications or environments unless the specific TI products are designated by TI as compliant with ISO/TS 16949 requirements. Buyers acknowledge and agree that, if they use any non-designated products in automotive applications, TI will not be responsible for any failure to meet such requirements.

Following are URLs where you can obtain information on other Texas Instruments products and application solutions:

Products		Applications	
Amplifiers	amplifier.ti.com	Audio	www.ti.com/audio
Data Converters	dataconverter.ti.com	Automotive	www.ti.com/automotive
DLP® Products	www.dlp.com	Communications and Telecom	www.ti.com/communications
DSP	dsp.ti.com	Computers and Peripherals	www.ti.com/computers
Clocks and Timers	www.ti.com/clocks	Consumer Electronics	www.ti.com/consumer-apps
Interface	interface.ti.com	Energy	www.ti.com/energy
Logic	logic.ti.com	Industrial	www.ti.com/industrial
Power Mgmt	power.ti.com	Medical	www.ti.com/medical
Microcontrollers	microcontroller.ti.com	Security	www.ti.com/security
RFID	www.ti-rfid.com	Space, Avionics & Defense	www.ti.com/space-avionics-defense
RF/IF and ZigBee® Solutions	www.ti.com/lprf	Video and Imaging	www.ti.com/video
		Wireless	www.ti.com/wireless-apps