

- EL25 Core Design
- Wire Wound Through Hole Design
- Operating Temperature Range: -20°C to +85°C

SPECIFICATIONS @ 25°C

Inductance @ 1KHz, 1.0V			Turns Ratio	DC Resistance (KΩ) Max			HiPot 3mA / 2Sec	
(1 - 2)	(2 - 4)	(5 - 8)	(1 - 4) : (5 - 8)	(1 - 2)	(2 - 4)	(5 - 8)	Pri - Sec	Wdg - Core
1.3H Min	1.3H Min	6.28H Min	1CT : 1.09	.152	.214	.400	600Vac	600Vac

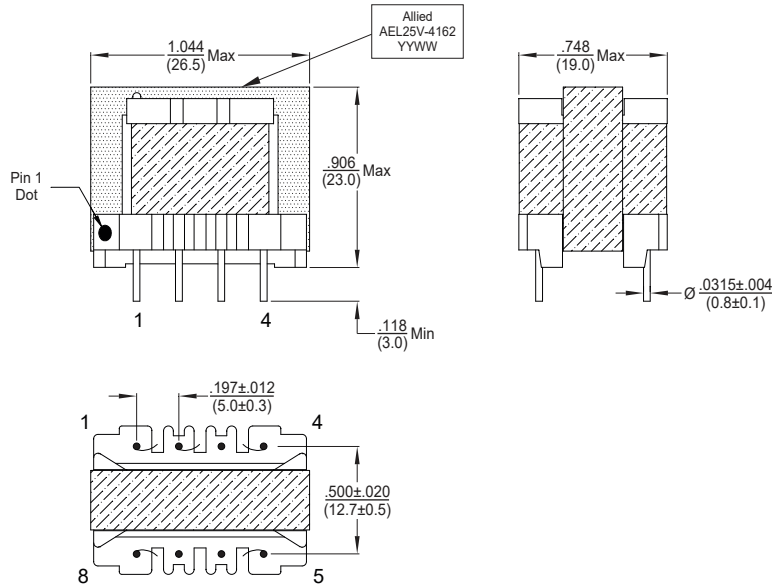
SPECIFICATIONS @ 25°C

Impedance @ 1KHz, 1.0V				Impedance @ 1KHz, 1.0V			
(5 - 8)	(1 - 2)	(2 - 4)	(1 - 4)	(5 - 8)	(1 - 2)	(2 - 4)	(1 - 4)
600Ω Load	280Ω ±15%	323Ω ±15%	964Ω ±15%	10KΩ Load	2.10KΩ ±15%	2.15KΩ ±15%	8.20KΩ ±15%

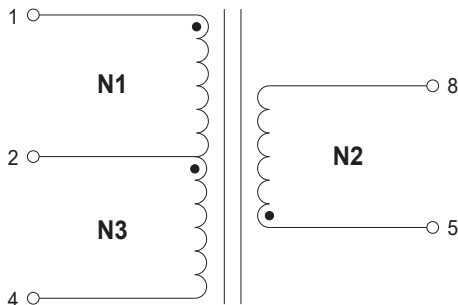
All specifications subject to change without notice.

MECHANICAL

Dimensions: $\frac{\text{inch}}{\text{(mm)}}$



SCHEMATIC



CONSTRUCTION

