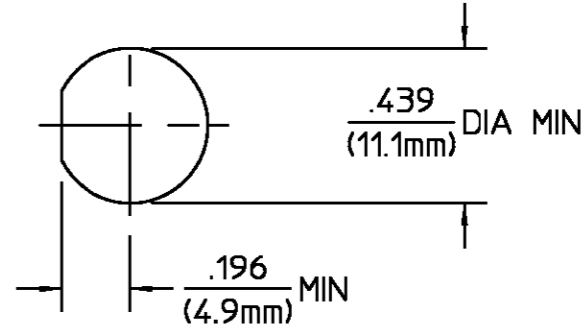


REVISIONS			
REV	DESCRIPTION	DATE	APPROVED
01 <sub>0</sub>	RELEASED	3/6/91	<i>DRJ</i>



RECOMMENDED MOUNTING HOLE (N.T.S.)

HOUSING MOUNTING NUT LOCKWASHER	STAINLESS STEEL PER ASTM-A484 AND ASTM-A582, TYPE 303	PASSIVATE PER ASTM-A380
DIELECTRIC	TFE FLUOROCARBON PER ASTM-D-1457	N/A
CENTER CONTACT	BERYLLIUM COPPER PER ASTM B 196, ALLOY C17300, CONDITION H	GOLD PLATE PER MIL-G-45204 OVER COPPER PLATE PER MIL-C-14550
"O" - RING	FLOUROCARBON RUBBER PER MIL-R-83248	N/A

COMPONENT	MATERIAL	FINISH
-----------	----------	--------

UNLESS OTHERWISE SPECIFIED DIMENSIONS ARE IN INCHES TOLERANCE ON FRAC. DEC. ANGLES ± 1/64 ± .005 ± 1°	DRAWN BY M.Y. DATE 2-5-91	<b>AMP</b> AMP Incorporated 140 Fourth Avenue Waltham, MA 02451-7599
	CHECKED BY BB 3/6/91	
	APP'D BY <i>DRJ</i> 3/6/91	

NOTES:  
1. CAPTURED CENTER CONTACT

These drawings and specifications are the property of Omni Spectra Incorporated and shall not be reproduced or copied or used in whole or in part as the basis for the manufacture or sale of item(s) without written permission.	USE ASSY PROCEDURE	TITLE OSM JACK TO OST JACK BULKHEAD FEEDTHRU ADAPTER	
	NO. AP. N/A	SIZE B	REV 01 <sub>0</sub>
		CODE IDENT NO. 26805	4184-2240-00
	SCALE 4:1	SHEET 1 OF 1	