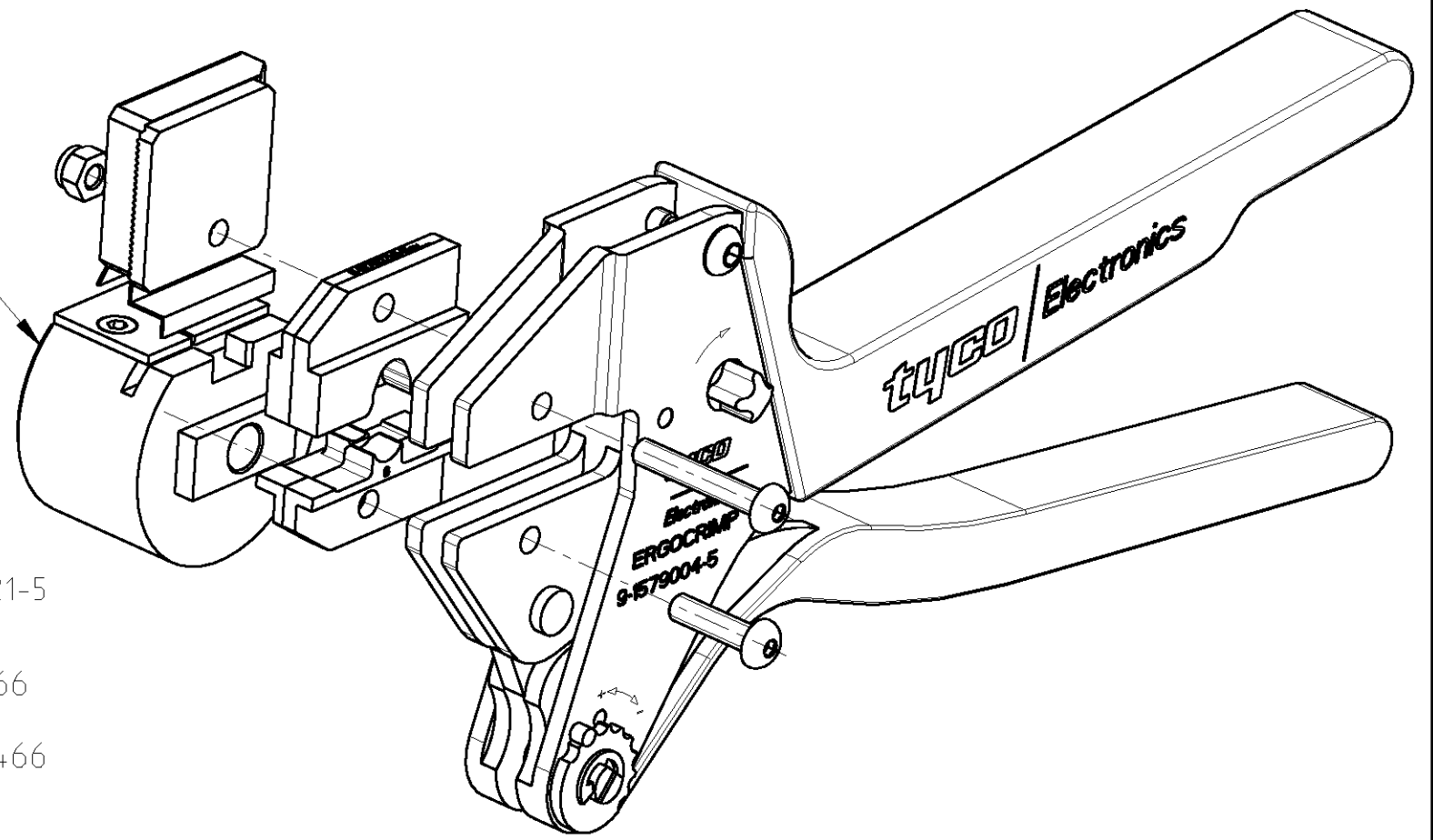


THIS DRAWING IS UNPUBLISHED. RELEASED FOR PUBLICATION 2008  
 © COPYRIGHT 2008 BY TYCO ELECTRONICS CORPORATION. ALL RIGHTS RESERVED.

LOC	DIST	REVISIONS				
P	LTR	DESCRIPTION	DATE	DWN	APVD	
A1	-		12SEP2008	-	-	

# ERGOCRIMP HAND TOOL FOR PQ-SOCKET CONTACTS SWS-6,0 mm<sup>2</sup>

Ergocrimp Matrize als Ersatzteil erhaeltlich  
 TE P/N 8-1579021-5  
 Ergocrimp die set as spare part available  
 TE P/N 8-1579021-5



Einzelteile der Ergocrimp Matrize bestellbar. Siehe Zeichnung TE P/N 8-1579021-5  
 Spare parts of the Ergocrimp die set are available. See drawing TE P/N 8-1579021-5

Handzange mit Matrize zusammengebaut und mit Bedienungsanleitung 411-18466  
 im Karton verpackt  
 Hand tool assembled with die set and packed with instruction sheet 411-18466  
 in a cardboard

Kontakt	DGB (mm <sup>2</sup> )	Drahtcrimp / Wire Crimp		Isolationscrimp/Insulationcrimp		Isol.Ø	Betriebsanl.
Contact	Wire Range	Hoehe/Height mm	Breite/Width mm	Hoehe/Height mm	Breite/Width mm	Ins.Range	Instr.Sheet
1719974	6,0	2,55 ±0,05	4,06 F	6,25	6,35 0	4,0-4,3	411-18466

<small>THIS DRAWING IS A CONTROLLED DOCUMENT FOR TYCO ELECTRONICS CORPORATION                  IT IS SUBJECT TO CHANGE AND THE CONTROLLING ENGINEERING ORGANIZATION                  SHOULD BE CONTACTED FOR THE LATEST REVISION.</small>		DWN	10SEP2008		tyco Electronics AMP GmbH D - 64625 Bensheim
DIMENSIONS:		CHK	-		
mm		APVD	-		NAME
		PRODUCT SPEC	-		ERGOCRIMP HAND TOOL FOR PQ-SOCKET CONTACTS SWS-6,0 mm <sup>2</sup>
TOLERANCES UNLESS OTHERWISE SPECIFIED:		APPLICATION SPEC	-		SIZE
0 PLC	±				CAGE CODE
1 PLC	±				DRAWING NO
2 PLC	±				RESTRICTED TO
3 PLC	±				A3 00779
4 PLC	±				©9-1579004-5
ANGLES	±1°				
MATERIAL	-	WEIGHT	750 g		
FINISH	-	CUSTOMER DRAWING		SCALE	1:1
				SHEET	1 OF 1
				REV	A