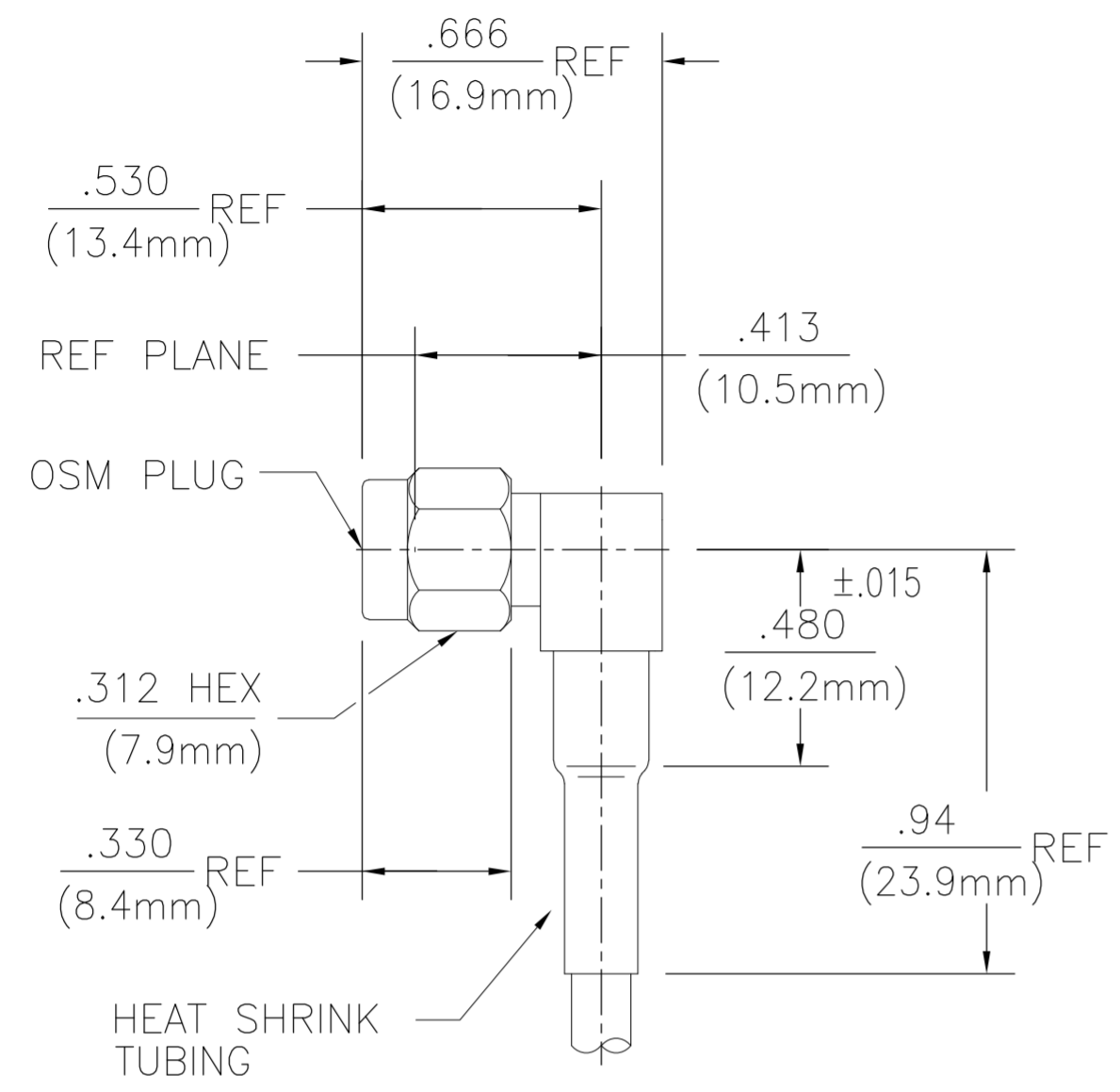


THIS DRAWING IS UNPUBLISHED. RELEASED FOR PUBLICATION
 © COPYRIGHT BY TYCO ELECTRONICS CORPORATION. ALL INTERNATIONAL RIGHTS RESERVED.

DESIGNED FOR USE WITH RG-188A/U FLEX CABLE	LOC AJ	DIST 00
CABLE ENTRY DIAMETER MINIMUM		
FERRULE .125		
CONTACT .025		
HOUSING .066		

REVISIONS					
P	LTR	DESCRIPTION	DATE	DWN	APVD
B		REV PER ECO 07-004710	09-03-07	DW	KW
C		REVISED PER ECO-08-030676	26-02-09	AEG	JKO



- ① BRASS
- ② STAINLESS STEEL
- ③ BERYLLIUM COPPER
- ④ PTFE
- ⑤ GOLD PLATE
- ⑥ POLYOLEFIN COMPOUND
- ⑦ SILICONE RUBBER
- ⑧ BRASS OR COPPER

ELECTRICAL	MECHANICAL	ENVIRONMENTAL
Nominal Impedance (Ohms) 50	Interface Dimensions MIL-STD-348A, Fig. 310.1	TEMPERATURE RATING -65°C TO +125°C
Frequency Range (GHz) DC to MAX	Recommended Mating	Vibration MIL-STD-202, Method 204, Condition D
Operating Frequency of Cable per MIL-C-17	Torque 7-10 In-Lbs	Shock MIL-STD-202, Method 213, Condition I
Volt Rating (VRMS MAX) @ Sea Level 250	Mating Characteristics:	Thermal Shock MIL-STD-202, Method 107, Condition B, EXCEPT HIGH TEMP +85°C
VSWR 1.18+.02f(GHz)	Insertion (MAX Lbs) N/A	Moisture Resistance MIL-STD-202, Method 106
Insertion Loss (dB MAX) .07 √f(GHz)	Withdrawal (MIN Oz) N/A	Corrosion - MIL-STD-202, Method 101, Condition B, 5% salt spray
RF Leakage (dB MIN) -(60-fGHz)	Force to Engage and Disengage (In-Lbs MAX) 2.0	
Dielectric Withstanding Voltage (VRMS MIN) @ Sea Level 750	Center Contact Captivation	
Contact Resistance (Milliohms MAX) Center Contact 3.0	Axial (Lbs) 6.0	
Outer Contact 2.0	Radial (In-Oz) 4.0	
Cable to Housing 0.5	Cable Retention	
RF High Potential @ Sea Level (VRMS MIN @ 5 MHz) 500	Axial Force (Lbs) 20 Min	
I.R.(Megohms MIN) 10,000	Torque (In-Oz) N/A	
	Weight (Grams) 4.2	

⑥	⑧⑤	①⑤	①⑤	③	⑦	①⑤	④	③⑤	1052075-3
⑥	⑧⑤	②⑤	②⑤	③	⑦	②⑤	④	③⑤	1052075-1
SHRINK TUBE	FERRULE	HOUSING	CAP	RETAINING RING	GASKET	COUPLING NUT	DIELECTRIC	CONTACT	TE PN

THIS DRAWING IS A CONTROLLED DOCUMENT.

DWN	EJC	5/22/66
CHK	BKW	5-24-68
APVD	CD	5-24-68

Tyco Electronics Corporation
Harrisburg, PA 17105-3608

NAME: OSM RIGHT ANGLE CABLE PLUG-CRIMP ATTACHMENT

SIZE	A2	CAGE CODE	00779	DRAWING NO	C=1052075	RESTRICTED TO	-
SCALE	2:1	SHEET	1 of 1	REV	C		

CUSTOMER DRAWING