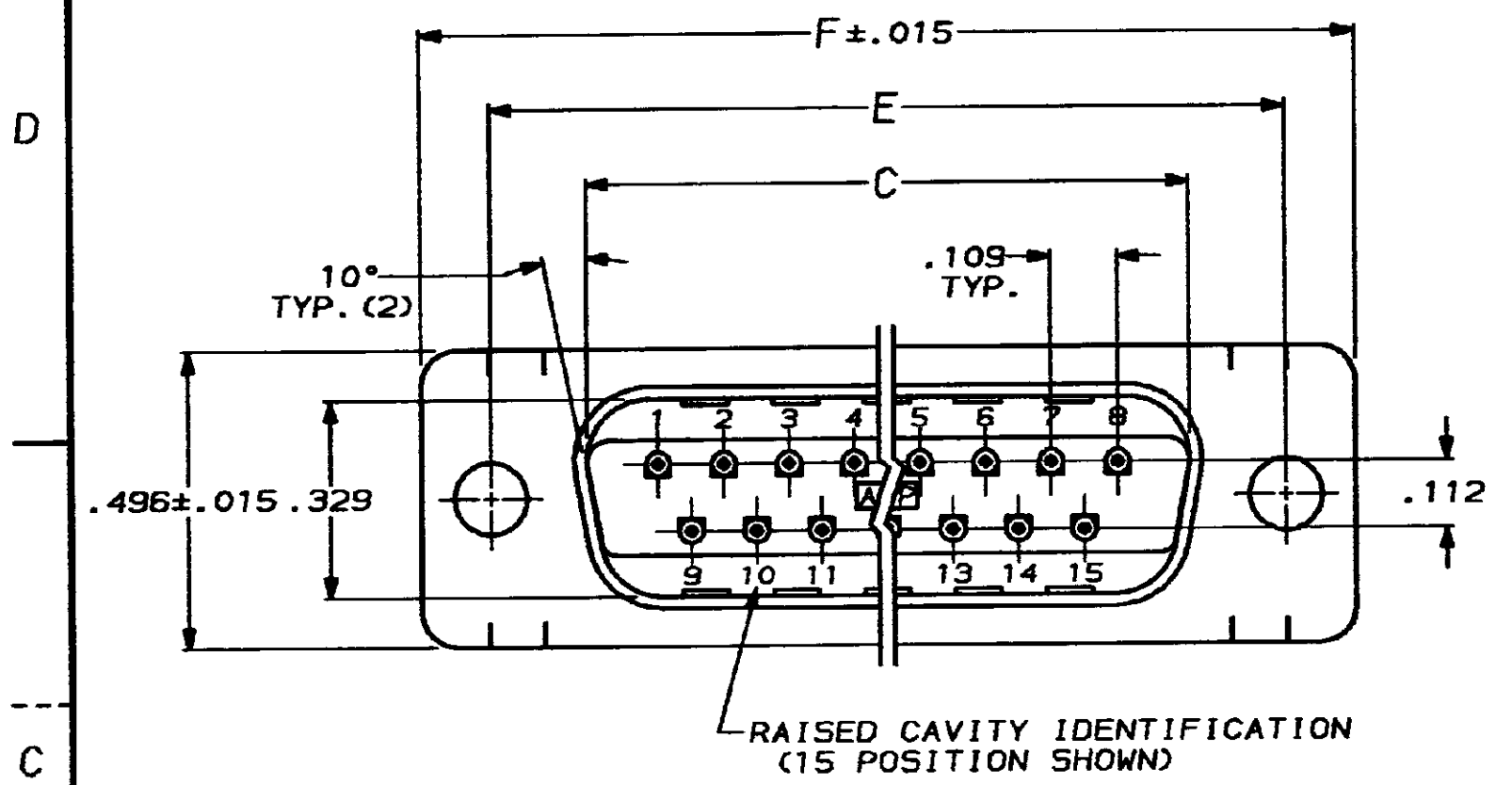
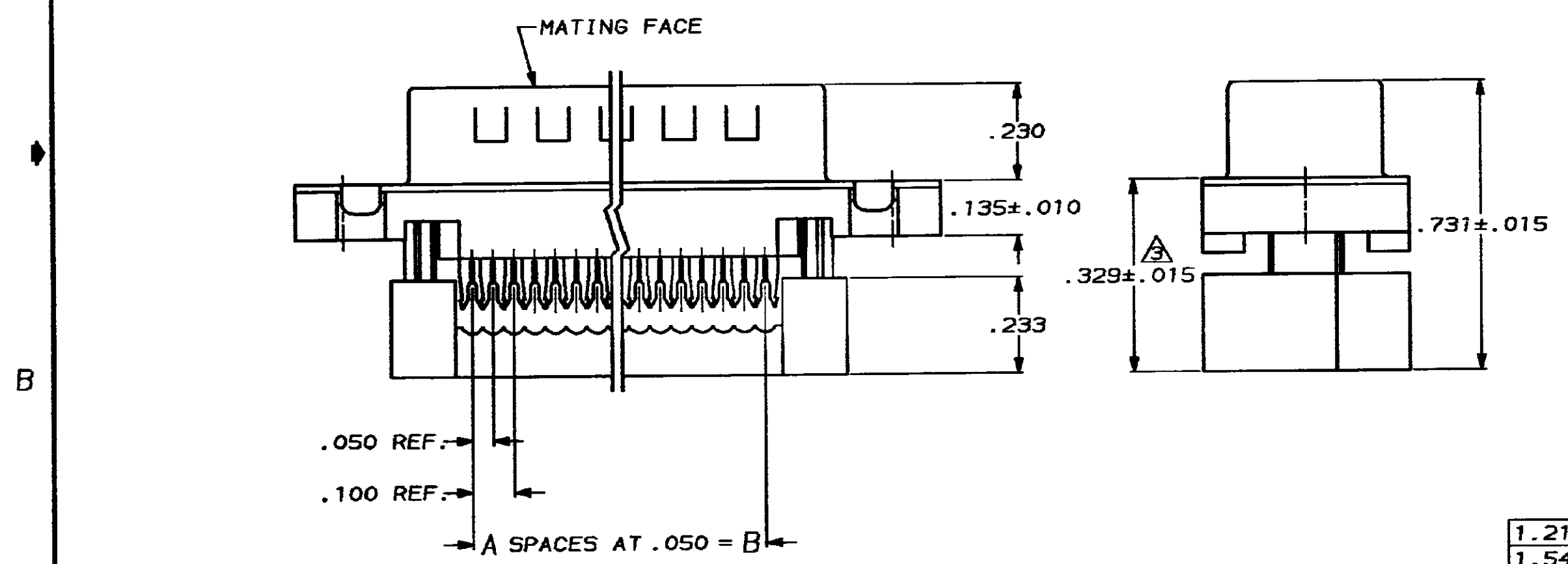


DRAWING MADE IN THIRD ANGLE PROJECTION  
 THIS DRAWING IS UNPUBLISHED. RELEASED FOR PUBLICATION  
 © COPYRIGHT 19 BY AMP INCORPORATED, HARRISBURG, PA. ALL INTERNATIONAL RIGHTS RESERVED. AMP PRODUCTS MAY BE COVERED BY U. S. AND FOREIGN PATENTS AND/OR PATENTS PENDING.

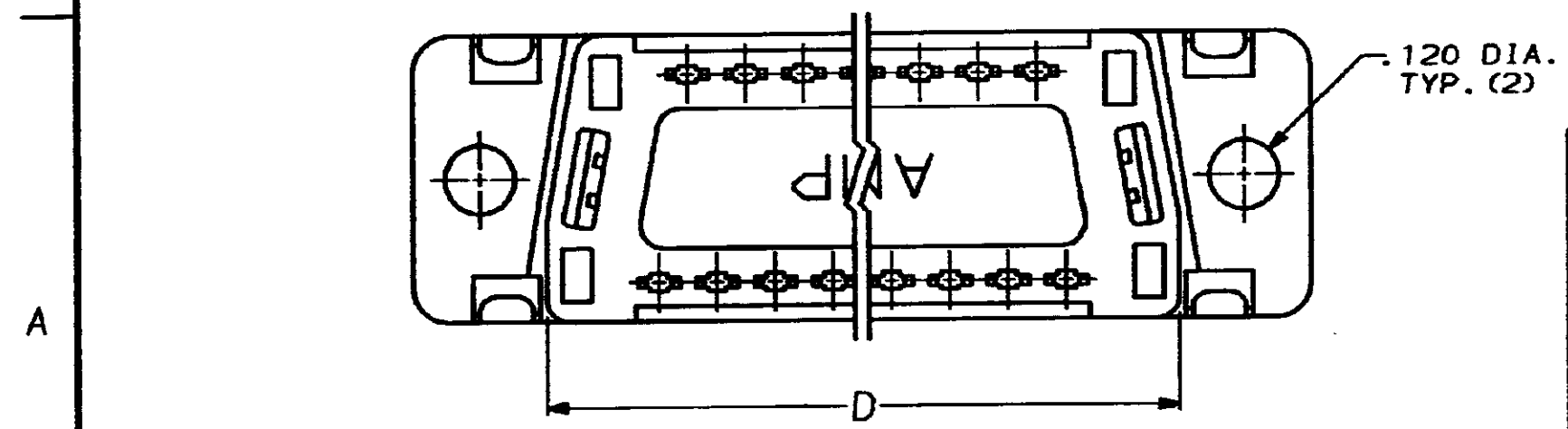
		REVOLUTIONS		MOD	LOC	DIST
P	F	ZONE	LTR	DESCRIPTION	DATE	APPROVED
		0		RELEASED		
		0		REVISED ECN-0048	4-10-84	JG
		A		REV PER ECN BD2622	2-10-88	JS
		B		REV PER ECN BD4356	8-28-88	



- CONNECTORS COMPLY WITH AMP SPEC. 108-40,012 AND MATE WITH ANY SAME NUMBER POSITION RECEPTACLE CONNECTOR IN AMPLIMITE SERIES.
  - CONNECTOR DESIGNED FOR 28 AND 26 AWG STRANDED AND SOLID CONDUCTOR RIBBON CABLE ON .050φ.
- △ DIMENSION APPLIES TO TERMINATED CONNECTOR.
  - △ MOLDED PARTS: FLAME RETARDANT 94V-0 RATED THERMOPLASTIC, COLOR: BLACK.
  - △ STEEL PER QQ-S-698.
  - △ PHOS. BRONZE PER QQ-B-750.
  - △ GOLD PLATING PER MIL-G-45204, BRIGHT TIN PLATING PER MIL-T-10727 (NOT TIN LEAD), NICKEL PLATING PER QQ-N-290.
  - △ BRIGHT TIN PLATED.
  - △ .000030 GOLD ON MATING END, .000100-.000200 BRIGHT TIN OR BRIGHT TIN LEAD ON TERMINATION END, ALL OVER .000050 NICKEL ON ENTIRE CONTACT.



1.216	.984	.759	.666	.400	8	9	747306-4
1.541	1.312	1.087	.994	.700	14	15	747306-3
2.090	1.852	1.623	1.534	1.200	24	25	747306-2
2.732	2.500	2.275	2.183	1.800	36	37	747306-1
F	E	D	C	B	A	NO. OF POS.	PART NUMBER



UNLESS OTHERWISE SPECIFIED DIMENSIONS ARE IN INCHES. TOLERANCES ON: DECIMALS ± .005 ANGLES ± 2°	CONTRACT NO	<b>AMP</b> AMP INCORPORATED Harrisburg, Pa.	
	DR J. GERACE 9-15-83		
	CHK J. GERACE 9-15-83	NAME	
	MATERIAL MOLDED PARTS: △ SHELL: △ CONTACTS: △	APPD D. HOFFMAN 9-23-83 APPD T. LYZINSKI 9-29-83	PLUG ASSEMBLY, LOW PROFILE HDF, FRONT METAL SHELL, W/ PREASSEMBLED COVER
FINISH △ SHELL: △ CONTACTS: △	DSGN APPD OTHER APPD	SIZE C FSCH NO 00779 DRAWING NO 747306	
		SCALE	SHEET

CUSTOMER DRAWING

747306