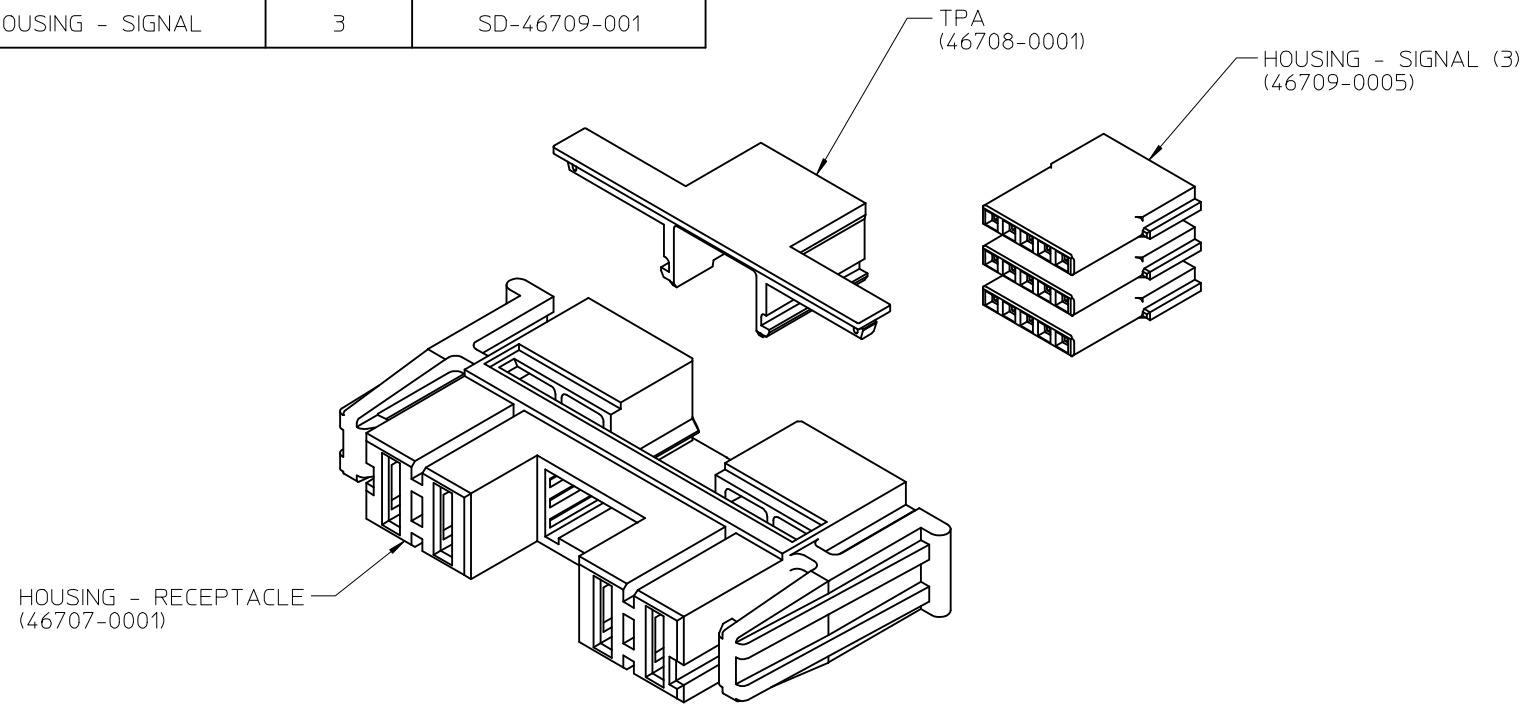


BILL OF MATERIALS

MATERIAL NUMBER	DESCRIPTION	QTY	SALES DRAWING
46710-9000	TPA	1	SD-46708-001
	HOUSING - RECEPTACLE	1	SD-46707-001
	HOUSING - SIGNAL	3	SD-46709-001

NOTE:
1. FOR ADDITIONAL INFORMATION ON COMPONENTS, SEE INDIVIDUAL SALES DRAWINGS PER CHART



RELEASED EC NO: UCP2009-2155 DRWN: JOUILLES 2009/03/02 CHKD: 2009/03/02 APPR: APATEL 2009/03/04	QUALITY SYMBOLS	GENERAL TOLERANCES (UNLESS SPECIFIED)		DIMENSION STYLE	SCALE	DESIGN UNITS	THIRD ANGLE PROJECTION
	F=0 C=0 P=0	mm	INCH	MM/IN	2:1	METRIC	KIT POWER/SIGNAL MIX TEN60 WIRE MOLEX INCORPORATED SD-46710-900
		4 PLACES ± --- ± ---	3 PLACES ± --- ± .008	DRAWN BY DATE	MOLEX DOCUMENT NO.		
		2 PLACES ± 0.20 ± .012	1 PLACE ± 0.30 ± ---	JOUILES 2009/02/25			
ANGULAR ± 1/2°	DRAFT WHERE APPLICABLE MUST REMAIN WITHIN DIMENSIONS		CHECKED BY DATE MDATA 2009/02/26 APPROVED BY DATE APATEL 2009/02/27	TITLE	SHEET NO.		
REV A	SEE CHART		THIS DRAWING CONTAINS INFORMATION THAT IS PROPRIETARY TO MOLEX INCORPORATED AND SHOULD NOT BE USED WITHOUT WRITTEN PERMISSION		1 OF 1		