

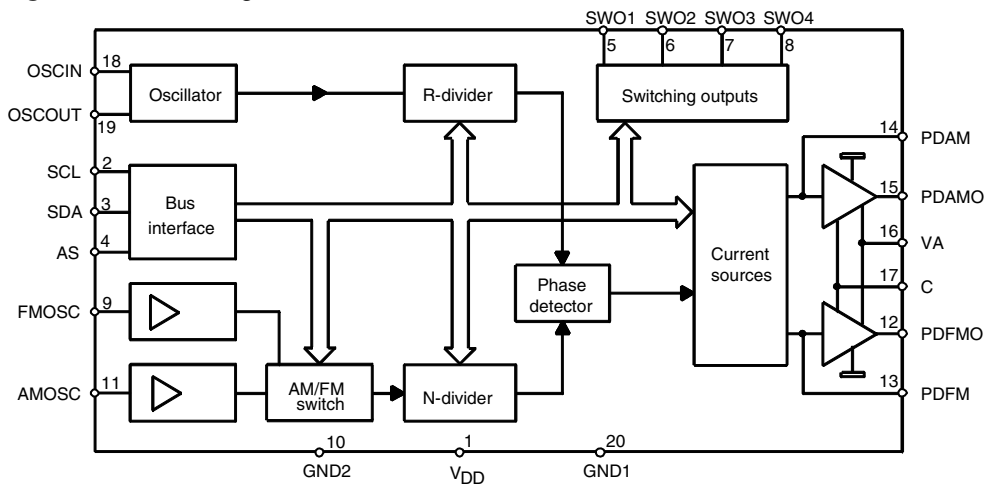
## Features

- Reference Oscillator up to 15 MHz
- Two Programmable 16-bit Dividers Adjustable from 2 to 65535
- Fine Tuning Steps
  - AM  $\geq 1$  kHz
  - FM  $\geq 2$  kHz
- Four Programmable Switching Outputs (Open Drain up to 15 V)
- Integrated Loop-push-pull Stage for AM/FM
- High Signal/Noise Ratio

## Description

The U4285BM is an integrated circuit in BICMOS technology for frequency synthesizers. It performs all the functions of a PLL radio tuning system and is controlled by a 2-wire bus. The device is designed for all frequency synthesizer applications in radio receivers, as well as for RDS (Radio Data System) applications.

Figure 1. Block Diagram



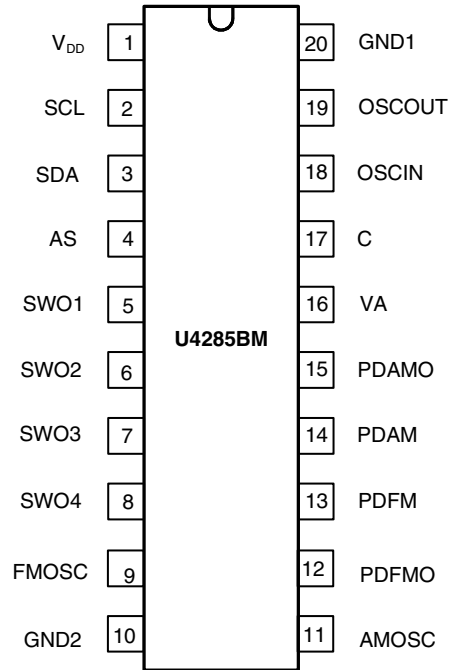
## AM/FM PLL with 4 Switches

## U4285BM



## Pin Configuration

Figure 2. Pinning SSO20



## Pin Description

Pin	Symbol	Function
1	V <sub>DD</sub>	Supply voltage
2	SCL	Bus clock
3	SDA	Bus data
4	AS	Address selection
5	SWO1	Switching output 1
6	SWO2	Switching output 2
7	SWO3	Switching output 3
8	SWO4	Switching output 4
9	FMOSC	FM oscillator input
10	GND2	Ground 2 (analog)
11	AMOSC	AM oscillator input
12	PDFMO	FM analog output
13	PDFM	FM current output
14	PDAM	AM current output
15	PDAMO	AM analog output
16	VA	Analog supply voltage
17	C	Capacitor
18	OSCIN	Oscillator input
19	OSCOU	Oscillator output
20	GND1	Ground 1 (digital)

## Functional Description

The U4285BM is controlled via the 2-wire bus. One module address byte, two subaddress bytes and five data bytes enable programming.

The module address contains a programmable address bit A 1, which (along with address select input AS, pin 4), enables the operation of two U4285BM devices in one system. If bit A 1 is identical with the status of the address select input AS, the chip is selected.

The subaddress determines which of the data bytes is transmitted first. If the subaddress of the R-divider is transmitted, the sequence of the next data bytes is DB 0 (status), DB 1 and DB 2. If the subaddress of the N-divider is transmitted, the sequence of the next data bytes is DB 3 and DB 4. The bit organization of the module address, subaddress and 5 data bytes is shown in table "Bit Organization" on page 7.

Each transmission on the bus begins with the "START" condition and has to be ended by the "STOP" condition (see Table "Transmission Protocol" on page 7).

The integrated circuit U4285BM has two separate inputs for the AM and FM oscillators. Pre-amplified AM and FM signals are fed to the 16 bit N-divider via the AM/FM switch. The AM/FM switch is software controlled. Tuning steps can be selected by the 16 bit R-divider.

Furthermore, the device provides a digital memory phase detector and two separate current sources for AM and FM amplifiers (charge pump) as given in the Table "Electrical Characteristics" on page 4. The separate current sources (charge pumps) allow independent gain adjustment, providing high current for high-speed tuning and low current for stable tuning.

## Absolute Maximum Ratings

Stresses beyond those listed under "Absolute Maximum Ratings" may cause permanent damage to the device. This is a stress rating only and functional operation of the device at these or any other conditions beyond those indicated in the operational sections of this specification is not implied. Exposure to absolute maximum rating conditions for extended periods may affect device reliability.

Parameters	Pins	Symbol	Value	Unit
Supply voltage	1	$V_{DD}$	-0.3 to +6	V
Input voltage	2, 3, 4, 9, 11, 18, 19	$V_I$	-0.3 to $V_{DD} + 0.3$	V
Output current	3, 5, 6, 7, 8	$I_O$	-1 to +5	mA
Output drain voltage	5, 6, 7, 8	$V_{OD}$	15	V
Analog supply voltage with 220 $\Omega$ serial resistance 2 minutes <sup>(1)</sup>	16	$V_A$	6 to 15	V
		$V_A$	24	V
Output current	12, 15	$I_{AO}$	-1 to +20	mA
Ambient temperature range		$T_{amb}$	-30 to +85	$^{\circ}C$
Storage temperature range		$T_{stg}$	-40 to +125	$^{\circ}C$
Junction temperature		$T_j$	125	$^{\circ}C$
Electrostatic handling (modified MIL STD 883 D method 3015.7: all supply pins connected together)		$\pm V_{ESD}$	1000	V

Note: 1. Corresponding to the application circuit (Figure 8 on page 8)

## Thermal Resistance

Parameters	Symbol	Value	Unit
Junction ambient	$R_{thJA}$	160	K/W

## Electrical Characteristics

$V_{DD} = 5\text{ V}$ ,  $V_A = 10\text{ V}$ ,  $T_{amb} = 25^\circ\text{C}$ , unless otherwise specified

Parameters	Test Conditions	Pins	Symbol	Min.	Typ.	Max.	Unit
Supply voltage		1	$V_{DD}$	4.5	5.0	5.5	V
Quiescent supply current	AM mode/FM mode	1	$I_{DD}$		4.0	7.0	mA
FM input sensitivity, $R_G = 50\ \Omega$ , FMOSC	$f_i = 70$ to 120 MHz	9	$V_{SFM}$	40			mV <sub>rms</sub>
	$f_i = 160$ MHz	9	$V_{SFM}$	150			mV <sub>rms</sub>
AM input sensitivity, $R_G = 50\ \Omega$ , AMOSC	$f_i = 0.6$ to 35 MHz	11	$V_{SAM}$	40			mV <sub>rms</sub>
Oscillator input sensitivity, $R_G = 50\ \Omega$ , OSCIN	$f_i = 0.1$ to 15 MHz	18	$V_{SOSC}$	100			mV <sub>rms</sub>
<b>Switching Output SWO1, SWO2, SWO3, SWO4 (Open Drain)</b>							
Output voltage LOW	$I_L = 1\text{ mA}$	5, 6, 7, 8	$V_{SWOL}$		100	400	mA
Output leakage current HIGH	$V_5, V_6, V_7, V_8 = 10\text{ V}$	5, 6, 7, 8	$I_{OHL}$			100	nA
<b>Phase Detector PDFM</b>							
Output current 1		13	$\pm I_{PDFM}$	1600	2000	2400	$\mu\text{A}$
Output current 2		13	$\pm I_{PDFM}$	400	500	600	$\mu\text{A}$
Leakage current		13	$\pm I_{PDFML}$			20	nA
<b>Phase Detector PDAM</b>							
Output current 1		14	$\pm I_{PDAM}$	160	200	240	$\mu\text{A}$
Output current 2		14	$\pm I_{PDAM}$	40	50	60	$\mu\text{A}$
Leakage current		14	$\pm I_{PDAML}$			20	$\mu\text{A}$
<b>Analog Output PDFMO, PDAMO</b>							
Saturation voltage LOW	$I = 15\text{ mA}$	12, 15	$V_{satL}$		200	400	mW
Saturation voltage HIGH	$I = 15\text{ mA}$	12, 15	$V_{satH}$	9.5	9.95		V
<b>Bus SCL, SDA, AS</b>							
Input voltage HIGH		2, 3, 4	$V_{iBUS}$	3.0		$V_{DD}$	V
Input voltage LOW		2, 3, 4	$V_{iBUS}$	0		1.5	V
Output voltage acknowledge LOW	$I_{SDA} = 3\text{ mA}$	3	$V_O$			0.4	V
Clock frequency		2	$f_{SCL}$			100	kHz
Rise time SDA, SCL		2, 3	$t_r$			1	$\mu\text{s}$
Fall time SDA, SCL		2, 3	$t_f$			300	ns
Period of SCL HIGH	HIGH	2	$t_H$	4.0			$\mu\text{s}$
Period of SCL LOW	LOW	2	$t_L$	4.7			$\mu\text{s}$

### Electrical Characteristics (Continued)

$V_{DD} = 5\text{ V}$ ,  $V_A = 10\text{ V}$ ,  $T_{amb} = 25^\circ\text{C}$ , unless otherwise specified

Parameters	Test Conditions	Pins	Symbol	Min.	Typ.	Max.	Unit
<b>Set-up Time</b>							
Start condition			$t_{sSTA}$	4.7			$\mu\text{s}$
Data			$t_{sDAT}$	250			$\mu\text{s}$
Stop condition			$t_{sSTOP}$	4.7			$\mu\text{s}$
Time space <sup>(1)</sup>			$t_{wSTA}$	4.7			$\mu\text{s}$
<b>Hold Time</b>							
Start condition			$t_{hSTA}$	4.0			$\mu\text{s}$
DATA			$t_{hDAT}$	0			$\mu\text{s}$

Note: 1. This is a period of time where the bus must be free from data transmission before a new transmission can be started.

Figure 3. FM Input Sensitivity,  $T = 85^\circ\text{C}$

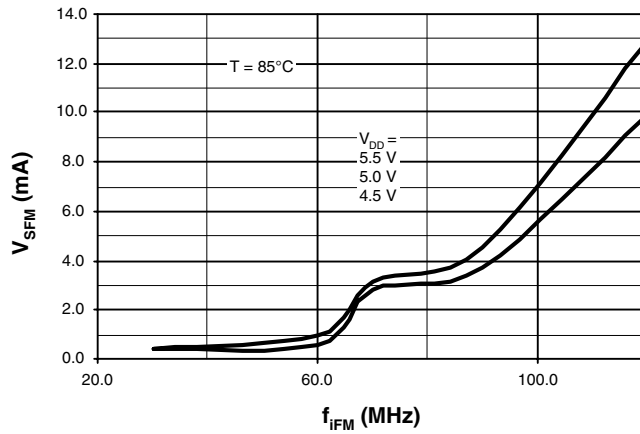
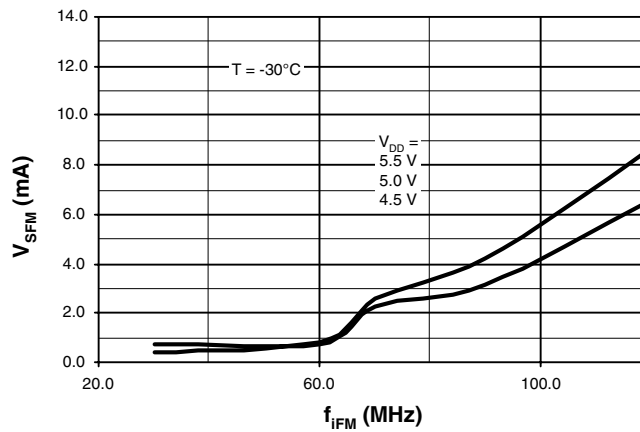
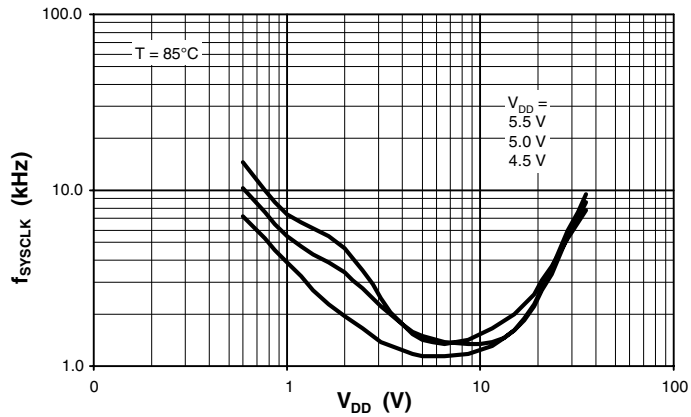


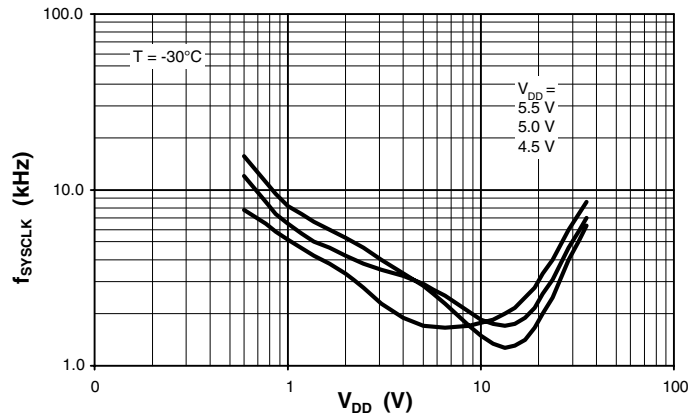
Figure 4. FM Input Sensitivity,  $T = -30^\circ\text{C}$



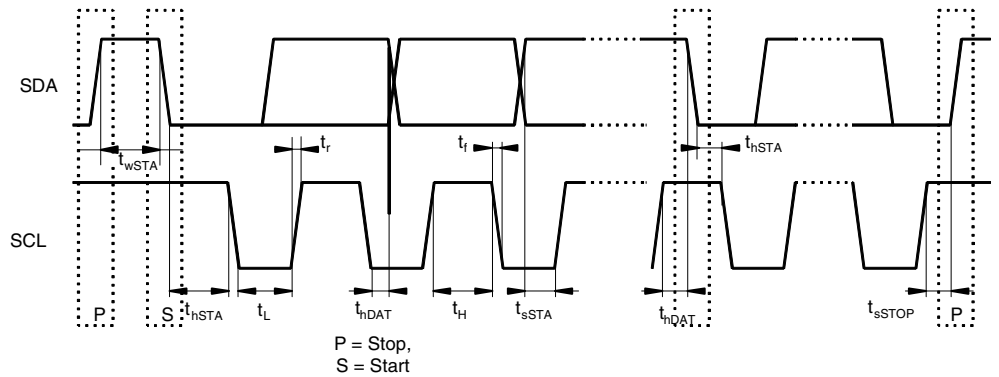
**Figure 5.** AM Input Sensitivity, T = 85°C



**Figure 6.** AM Input Sensitivity, T = -30°C



**Figure 7.** Bus Timing



## Bit Organization

	MSB							LSB
Module address	1	1	0	0	1	0	0/1	0
	A7	A6	A5	A4	A3	A2	A1	A0
Subaddress (R-divider)	X	X	X	0	0	1	X	X
Subaddress (N-divider)	X	X	X	X	1	1	X	X
Data byte 0 (Status)	SWO1	SWO2	SWO3	SWO4	AM/FM	PD - ANA	PD - POL	PD - CUR
	D7	D6	D5	D4	D3	D2	D1	D0
Data byte 1	2 <sup>15</sup> R-divider							2 <sup>8</sup>
Data byte 2	2 <sup>7</sup> R-divider							2 <sup>0</sup>
Data byte 3	2 <sup>15</sup> N-divider							2 <sup>8</sup>
Data byte 4	2 <sup>7</sup> N-divider							2 <sup>0</sup>

**Table 1.** Function Mode

Bit Description	Mode	LOW	HIGH
D3	AM/FM	FM operation	AM operation
D2	PD - ANA	PD analog	TEST
D1	PD - POL	Negative polarity	Positive polarity
D0	PD - CUR	Output current 2	Output current 1

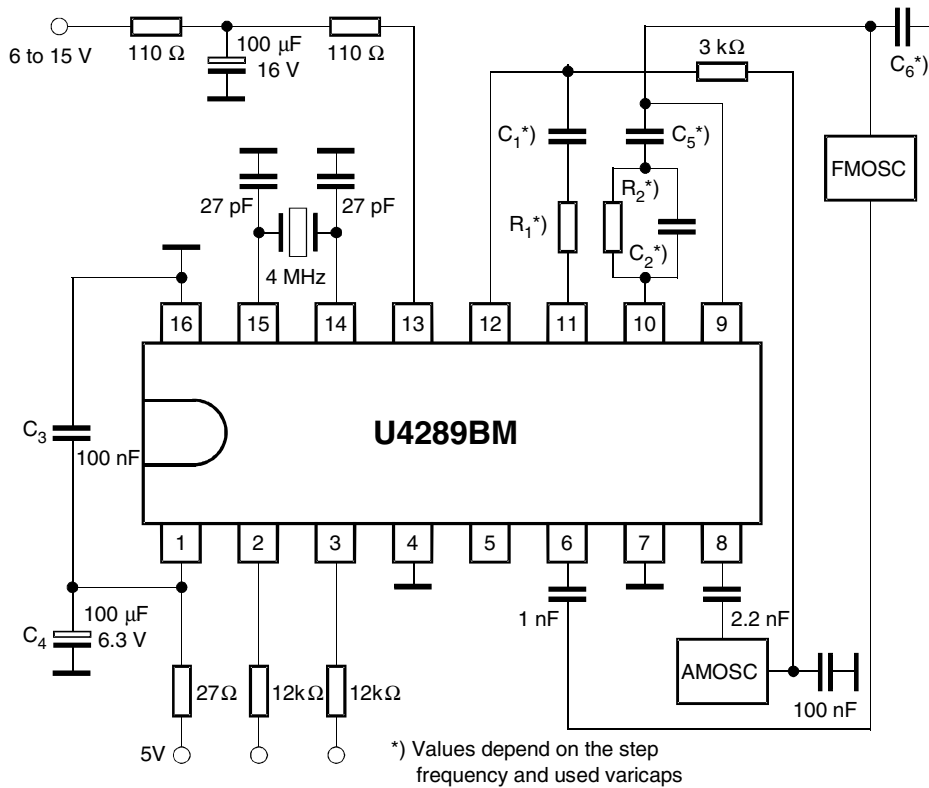
## Transmission Protocol

	MSB	LSB										
S	Address		A	Subaddress	A	Data 0	A	Data 1	A	Data 2	A	P
	A0	A7		R-divider								

	MSB	LSB										
S	Address		A	Subaddress	A	Data 3	A	Data 4	A	P		
	A0	A7		N-divider								

Note: S = Start, P = Stop, A = Acknowledge

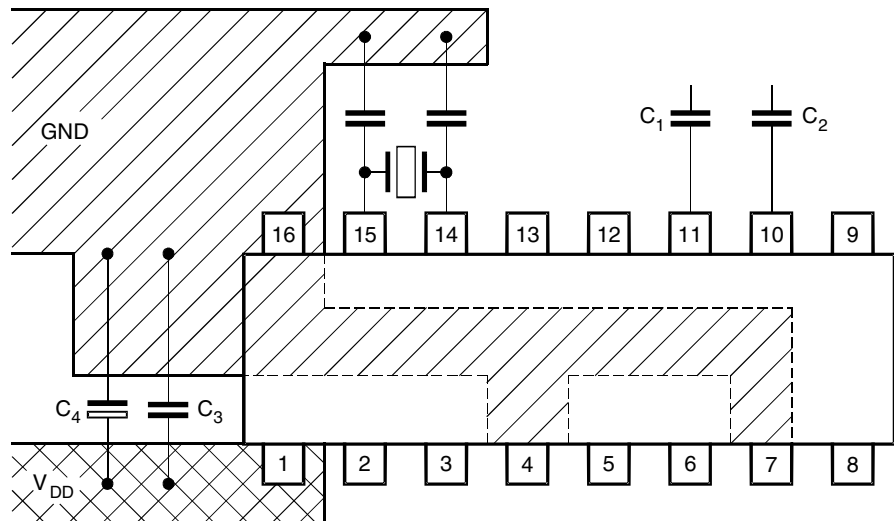
**Figure 8. Application Circuit**



## Recommendations for Applications

- $C_3 = 100 \text{ nF}$  should be very close to pin 1 ( $V_{DD}$ ) and pin 20 (GND 1)
- GND 2 (pin 10 - analog ground) and GND 1 (pin - digital ground) must be connected according to Figure 8
- 4 MHz crystal must be very close to pin 18 and pin 19
- Components of the charge pump ( $C_1/R_1$  for AM and  $C_2/R_2$  for FM) should be very close to pin 14 with respect to pin 13

**Figure 9. PCB Layout**



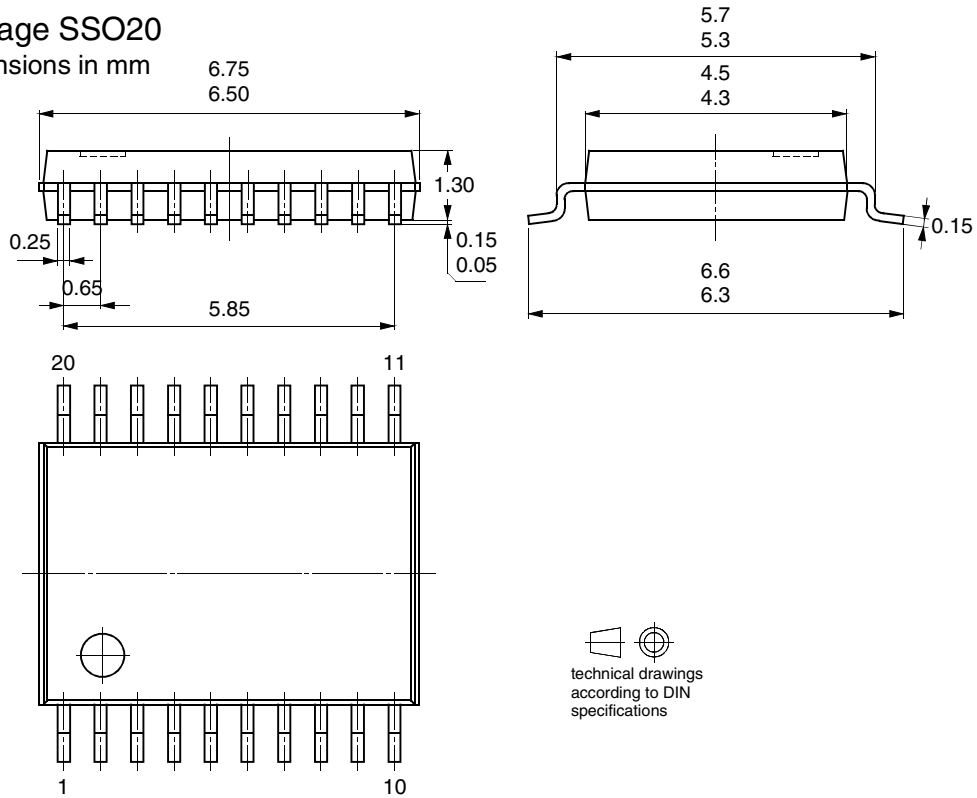


### Ordering Information

Extended Type Number	Package	Remarks
U4285BM-MFS	SSO20 plastic	–
U4285BM-MFSG3	SSO20 plastic	Taping according to IEC-286-3

### Package Information

Package SSO20  
Dimensions in mm



  
technical drawings  
according to DIN  
specifications



## Atmel Corporation

2325 Orchard Parkway  
San Jose, CA 95131, USA  
Tel: 1(408) 441-0311  
Fax: 1(408) 487-2600

## Regional Headquarters

### Europe

Atmel Sarl  
Route des Arsenalux 41  
Case Postale 80  
CH-1705 Fribourg  
Switzerland  
Tel: (41) 26-426-5555  
Fax: (41) 26-426-5500

### Asia

Room 1219  
Chinachem Golden Plaza  
77 Mody Road Tsimshatsui  
East Kowloon  
Hong Kong  
Tel: (852) 2721-9778  
Fax: (852) 2722-1369

### Japan

9F, Tonetsu Shinkawa Bldg.  
1-24-8 Shinkawa  
Chuo-ku, Tokyo 104-0033  
Japan  
Tel: (81) 3-3523-3551  
Fax: (81) 3-3523-7581

## Atmel Operations

### Memory

2325 Orchard Parkway  
San Jose, CA 95131, USA  
Tel: 1(408) 441-0311  
Fax: 1(408) 436-4314

### Microcontrollers

2325 Orchard Parkway  
San Jose, CA 95131, USA  
Tel: 1(408) 441-0311  
Fax: 1(408) 436-4314

La Chantrerie  
BP 70602  
44306 Nantes Cedex 3, France  
Tel: (33) 2-40-18-18-18  
Fax: (33) 2-40-18-19-60

### ASIC/ASSP/Smart Cards

Zone Industrielle  
13106 Rousset Cedex, France  
Tel: (33) 4-42-53-60-00  
Fax: (33) 4-42-53-60-01

1150 East Cheyenne Mtn. Blvd.  
Colorado Springs, CO 80906, USA  
Tel: 1(719) 576-3300  
Fax: 1(719) 540-1759

Scottish Enterprise Technology Park  
Maxwell Building  
East Kilbride G75 0QR, Scotland  
Tel: (44) 1355-803-000  
Fax: (44) 1355-242-743

### RF/Automotive

Theresienstrasse 2  
Postfach 3535  
74025 Heilbronn, Germany  
Tel: (49) 71-31-67-0  
Fax: (49) 71-31-67-2340

1150 East Cheyenne Mtn. Blvd.  
Colorado Springs, CO 80906, USA  
Tel: 1(719) 576-3300  
Fax: 1(719) 540-1759

### Biometrics/Imaging/Hi-Rel MPU/ High Speed Converters/RF Datacom

Avenue de Rochepleine  
BP 123  
38521 Saint-Egreve Cedex, France  
Tel: (33) 4-76-58-30-00  
Fax: (33) 4-76-58-34-80

---

### Literature Requests

[www.atmel.com/literature](http://www.atmel.com/literature)

**Disclaimer:** Atmel Corporation makes no warranty for the use of its products, other than those expressly contained in the Company's standard warranty which is detailed in Atmel's Terms and Conditions located on the Company's web site. The Company assumes no responsibility for any errors which may appear in this document, reserves the right to change devices or specifications detailed herein at any time without notice, and does not make any commitment to update the information contained herein. No licenses to patents or other intellectual property of Atmel are granted by the Company in connection with the sale of Atmel products, expressly or by implication. Atmel's products are not authorized for use as critical components in life support devices or systems.

© Atmel Corporation 2003. All rights reserved.

Atmel® and combinations thereof are the registered trademarks of Atmel Corporation or its subsidiaries.

Other terms and product names may be the trademarks of others.



Printed on recycled paper.