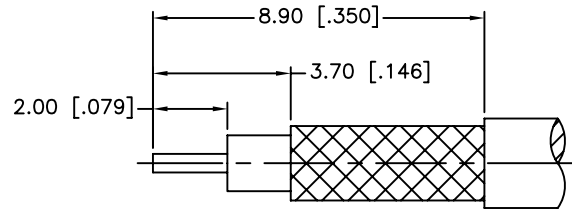
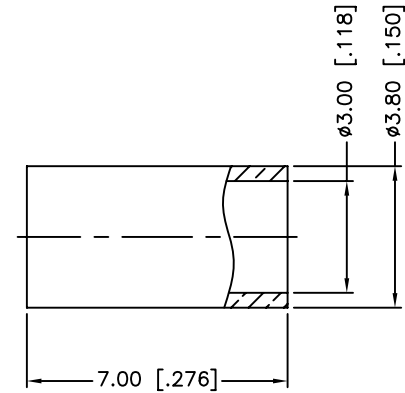
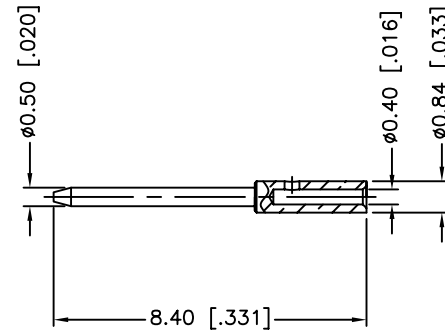
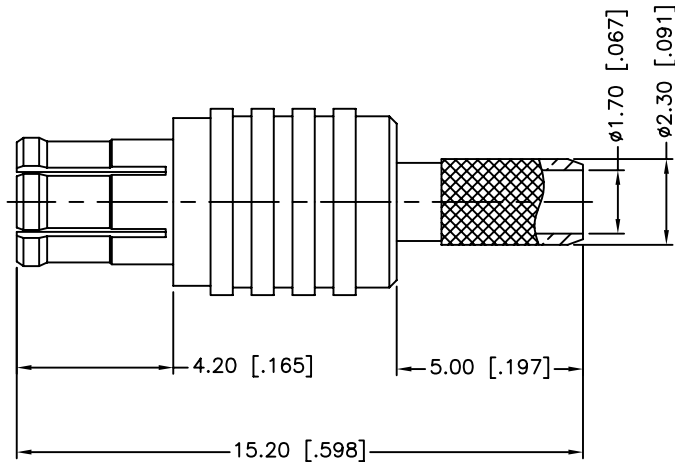


REV.	DATE	ECR NO.	DESCRIPTION
NC	08/13/07	XXXXXX	INITIAL RELEASE
A	03/24/09	XXXXXX	UPDATE BARREL, CONTACT PIN, FERRULE DIMENSIONS
B	08/19/11	2218	UPDATE CONTACT PIN DIMENSION



RECOMMENDED  
CABLE STRIPPING DIM'S



- NOTE:  
 1. CRIMPED FERRULE HEX CRIMP SIZE .128" [3.25]  
 2. CONTACT PIN TO SOLDER.

DESCRIPTION	MATERIAL	FINISH	QTY	UNLESS OTHERWISE SPECIFIED DIMENSIONS ARE IN MILLIMETERS. DIMENSIONS IN [ ] ARE IN INCHES AND FOR CUSTOMER REFERENCE ONLY.	APPROVALS	DATE	<h1 style="text-align: center;">Amphenol Connex</h1> <p style="text-align: center;">MCX CRIMP PLUG (FOR RG-179A/U, 179B/U, 187A/U)</p>	
5	FERRULE	COPPER	NICKEL	1				<p>PART DESCRIPTION</p> <p style="text-align: center;">MCX CRIMP PLUG (FOR RG-179A/U, 179B/U, 187A/U)</p> <p>PART NO.</p> <p style="text-align: center;">252101-75</p>
4	CONTACT PIN	BRASS	GOLD	1				
3	INSULATOR	PTFE	NATURAL	1				
2	BODY	BER. COPPER	GOLD	1				
1	HOUSING	BRASS	NICKEL	1				
				<p>UNLESS OTHERWISE SPECIFIED TOLERANCES FOR MILLIMETERS ARE:            0.5 - 8mm ± 0.20mm            8 - 30mm ± 0.40mm            30 - 120mm ± 0.50mm</p> <p>UNLESS OTHERWISE SPECIFIED TOLERANCES FOR INCHES ARE:            .020 - .315 = ± 0.007"            .315 - 1.180 = ± 0.015"            1.180 - 4.724 = ± 0.020"</p>	DO NOT SCALE DRAWING	C:/CONNEX/252101-75.DWG	<p>DWG. NO. 252101-75.DWG</p> <p>REV. B</p> <p>SIZE A</p> <p>SCALE NA</p>	