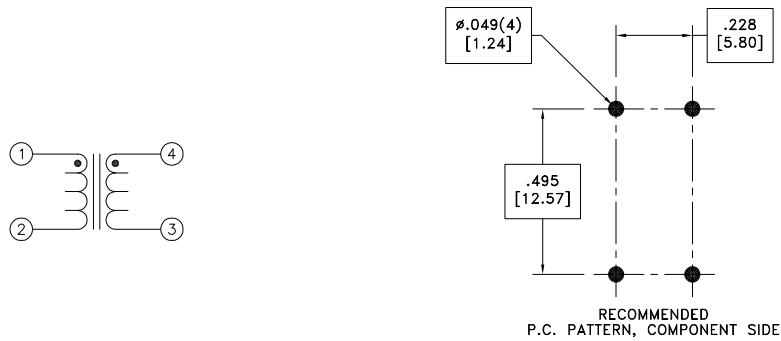
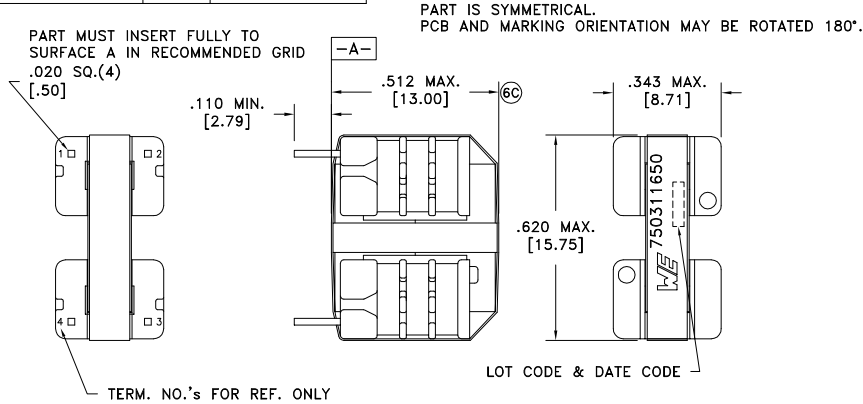


CUSTOMER TERMINAL	RoHS	LEAD(Pb)-FREE
Sn96%, Ag4%	Yes	Yes



ELECTRICAL SPECIFICATIONS @ 25°C unless otherwise noted:

PARAMETER	TEST CONDITIONS	VALUE
D.C. RESISTANCE	1-2 @20°C	10.05 ohms ±10%
D.C. RESISTANCE	3-4 @20°C	10.05 ohms ±10%
⑥C INDUCTANCE	1-2 10kHz, 100mVAC, Ls	45mH typ., 36mH min.
⑥C INDUCTANCE	3-4 10kHz, 100mVAC, Ls	45mH typ., 36mH min.
LEAKAGE INDUCTANCE	1-4 tie(2+3), 100kHz, 100mVAC, Ls	4.0mH min.
⑥E SATURATION CURRENT	20% rolloff from initial	200mA
SELF RESONANT FREQUENCY		300kHz min.
DIELECTRIC	1-4 1875VAC, 1 second	1500VAC, 1 minute

GENERAL SPECIFICATIONS:

OPERATING TEMPERATURE RANGE: -40°C to +125°C including temp rise.

⑥C RATED CURRENT: 180mA causes 40°C temp rise from ambient.

Wire insulation & RoHS status not affected by wire color.
Wire insulation color may vary depending on availability.

DETAILS SUBJECT TO CHANGE

REV.	DATE	Packaging Specifications		Tolerances unless otherwise specified: Angles: ±1° Decimals: ±.005 [.13] Fractions: ±1/64 Footprint: ±.001 [.03]	DRAWING TITLE	PART NO.		
6F	7/16	Method: Tray			TRANSFORMER	750311650		
6E	7/14	PKG-0888			This drawing is dual dimensioned. Dimensions in brackets are in millimeters.	eiSos p/n: 750311650		
6D	9/12	www.we-online.com/midcom						
6C	12/10	SEE REVISION SHEET FOR REVISION LEVEL						