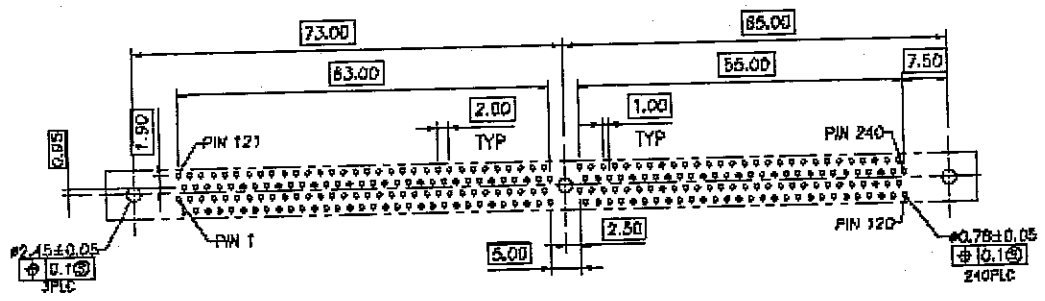
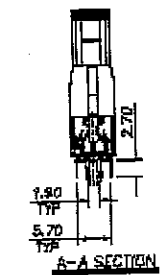
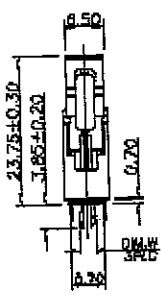
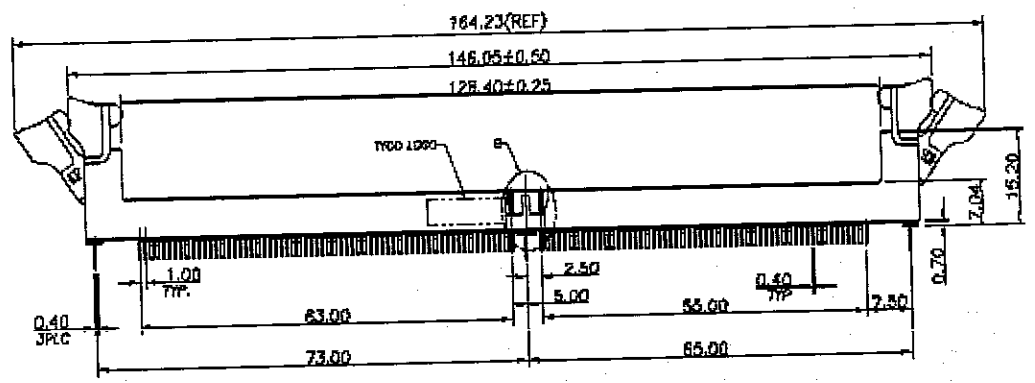
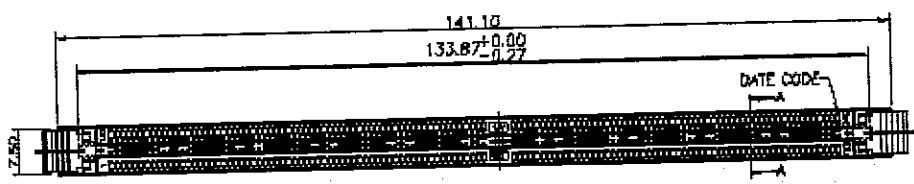


NUMBER C-1734097

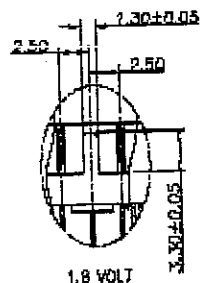
3RD ANGLE PROJECTION

METRIC

THIS DRAWING IS THE PROPERTY OF TAIYU ELECTRONIC CO., LTD. IT IS TO BE USED ONLY FOR THE PURPOSES SPECIFIED. IT IS NOT TO BE REPRODUCED OR TRANSMITTED IN ANY FORM OR BY ANY MEANS, ELECTRONIC OR MECHANICAL, INCLUDING PHOTOCOPYING, RECORDING, OR BY ANY INFORMATION STORAGE AND RETRIEVAL SYSTEM, WITHOUT PERMISSION IN WRITING FROM TAIYU ELECTRONIC CO., LTD. DIMENSIONS IN MILLIMETERS. DO NOT SCALE PRINT.



RECOMMENDED PCB LAYOUT  
PCB TOLERANCE: ±0.05



Q	ADDED P/15-3,6-4,7-1,2-1	ECR-08-027558	HH	27NOV 2006
B	REVISED	ECR-09-007135	SH	24JUNE 2006
A	REVISED	ECR-06-016182	WK	23NOV 2005
C	FIRST RELEASED	F200-0028-04	WK	14MAY 2004
LTR	REVISION RECORD	EDM	WK	2004

- NOTES:
- MATERIAL:
    - HOUSING: THERMOPLASTIC, PA46, UL94V-0, COLOR: SEE TABLE
    - EXTRACTOR: THERMOPLASTIC(PA66), UL94V-0, COLOR: WHITE
    - CONTACT: PHOSPHOR BRONZE
    - BOARD LOCK: BRASS
  - FINISH:
    - CONTACT:
      - GOLD PLATING ON CONTACT AREA, 2.54µm[100µ"]MIN. MATTE TIN PLATING ON SOLDER TAILS, 7.27µm[50µ"]MIN. NICKEL UNDERPLATING OVERALL.
    - BOARD LOCK:
      - 1.27µm[50µ"] MIN NICKEL UNDERPLATING OVERALL.
  - RECOMMENDED PCB THICKNESS: 1.27mm
  - WAVE SOLDERING CAPABLE TO 265±5°C, PER TYCO SPEC. 109-202 CONDITION B.

2.90	GREEN/3259C	GOLD FLASH	8-	-1
	BLUE/2548C	GOLD FLASH	7-	-1
	GREEN 347C	15µ"	6-	-4
	PURPLE 2726U	15µ"	6-	-2
		GOLD FLASH	6-	-1
	BLUE GREEN 338LU	15µ"	5-	-2
2.65	ORANGE 137C	15µ"	4-	-2
	APPLE GREEN 382V	GOLD FLASH	4-	-1
		15µ"	3-	-2
2.90	BLUE 301C	15µ"	2-	-2
	WHITE	GOLD FLASH	2-	-1
		15µ"	1-	-2
	BLACK	30µ"		-3
		GOLD FLASH		-2
DIM. N°	HSG. COLOR PALETTE	GOLD PLATING	PART NUMBER	

TOLERANCES UNLESS OTHERWISE SPECIFIED	DRN	A. HILARIO	27-NOV-2006	Taiyu Electronics (Taiwan) Co., Ltd. TAIWAN BRANCH
Ø FRA ± 0.3	GRK	WLL KE	27-NOV-2006	NAME
Ø DIA ± 0.2		WLL KE	27-NOV-2006	NAME
3 PLE ± 0.2		WLL KE	27-NOV-2006	NAME
ANGLES ± 3°		WLL KE	27-NOV-2006	NAME
MATERIAL	APVD	WLL KE	27-NOV-2006	DDRII 240PIN SOCKET
SEE NOTE	PRODUCIT SPEC	108-57350		
FINISH	APPLICATION SPEC			
SEE NOTE	WEIGHT	10 GRAM		

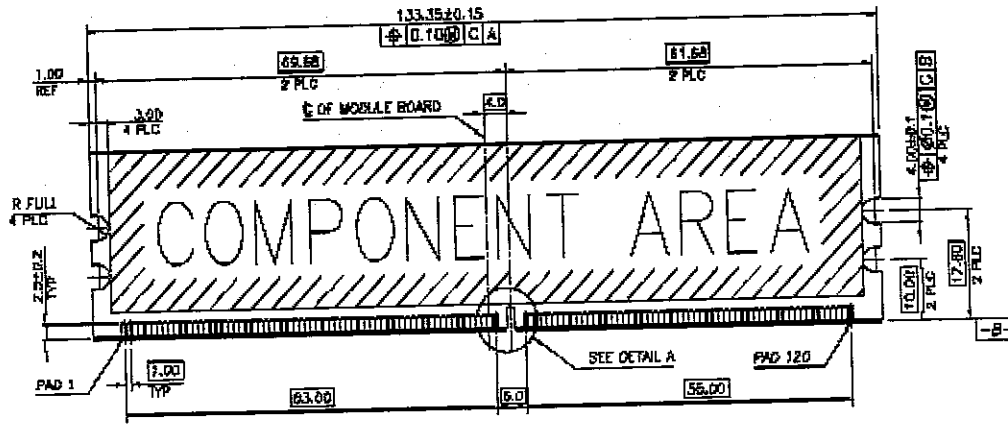
CUSTOMER DRAWING

8 7 6 5 4 3 2 1

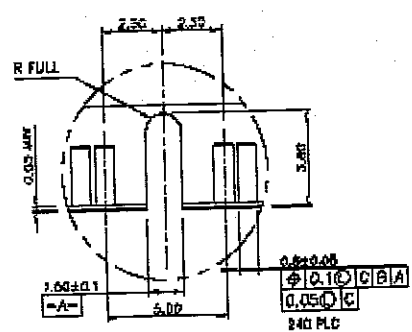
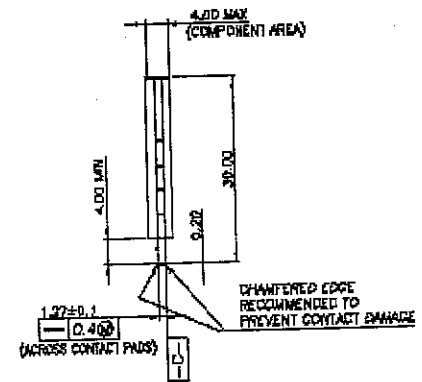
NUMBER C-1734097



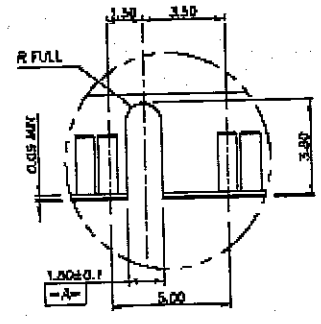
METRIC



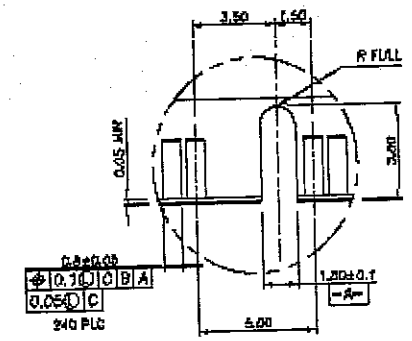
RECOMMENDED MODULE LAYOUT



1.8V  
 DETAIL A  
 SCALE 4:1



2.5V  
 DETAIL A  
 SCALE 4:1



3.3V  
 DETAIL A  
 SCALE 4:1

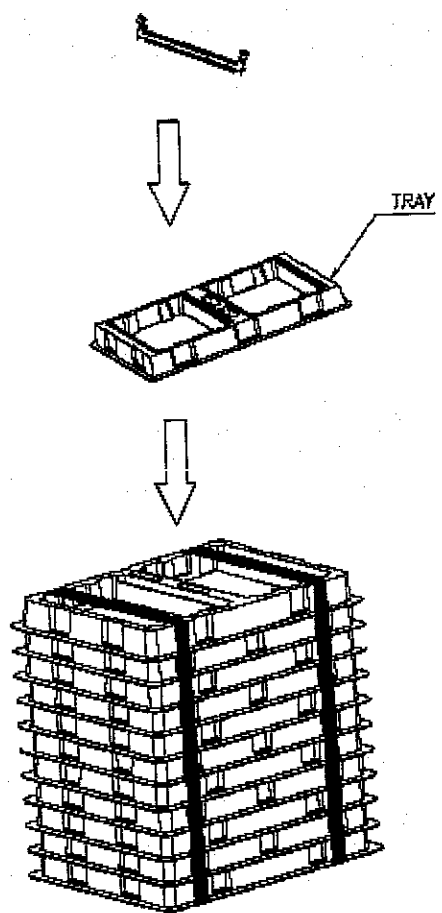
THIS INFORMATION IS CONFIDENTIAL AND IS TO BE USED ONLY FOR THE PURPOSES SPECIFIED IN THE ORDER. IT IS NOT TO BE REPRODUCED, COPIED, OR TRANSMITTED IN ANY FORM OR BY ANY MEANS, ELECTRONIC OR MECHANICAL, INCLUDING PHOTOCOPYING, RECORDING, OR BY ANY INFORMATION STORAGE AND RETRIEVAL SYSTEM. DIMENSIONS IN MILLIMETERS. DO NOT SCALE PRINT.

SEE SHEET 1		EEN	DATE
LTR	REVISION REQUIRED		

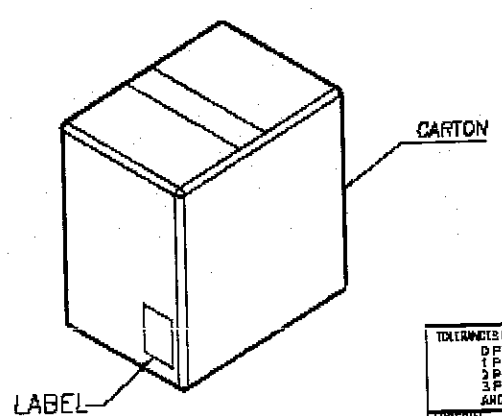
TOLERANCES UNLESS OTHERWISE SPECIFIED: 0 PLC ± 0.3 1 PLC ± 0.2 2 PLC ± 0.2 3 PLC ± 0.2 ANGLES ± 3	DESIGN S. HUIANG 27-NOV-2009	 Teco Electronics (Malaysia) Sdn Bhd 14, LIA TANJAN BRANCH
	CHK S. HOU 27-NOV-2009	
MATERIAL	APVD W.J. KE 27-NOV-2009	LOG SIZE DRAWING NO DW A <sub>2</sub> C-1734097 SCALE SHEET 2 OF 3
FINISH	APPLICATION SPEC	
WEIGHT		

CUSTOMER DRAWING

THIS INFORMATION IS CONFIDENTIAL AND IS EXCLUDED IN YOUR OWN CONTRACTS. YOU MAY NOT REPRODUCE OR TRANSMIT THIS INFORMATION IN ANY FORM OR BY ANY MEANS, ELECTRONIC OR MECHANICAL, INCLUDING PHOTOCOPYING, RECORDING, OR BY ANY INFORMATION STORAGE AND RETRIEVAL SYSTEM. ALL DIMENSIONS IN MILLIMETERS. DO NOT SCALE PRINT.



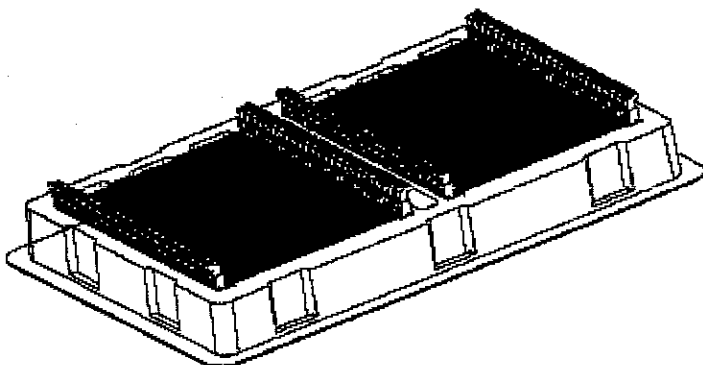
TRAY



CARTON

LABEL

- NOTE:
1. DIMENSION:  
 TRAY: L = 365, W = 255, H = 33  
 CARTON: L = 385, W = 270, H = 365
  2. QUANTITY:  
 50 PCS/TRAY  
 10 TRAYS/CARTON (500 PCS/CARTON)
  3. WEIGHT :  
 NET WEIGHT : 5.0KG  
 GROSS WEIGHT : 7.0KG



TRAY LAYOUT

SEE SHEET 1	ECN	DATE
LTR	REVISION RECORD	DATE

TOLERANCES UNLESS OTHERWISE SPECIFIED: 0 P/C ± 0.3 1 P/C ± 0.3 2 P/C ± 0.2 3 P/C ± 0.2 ANGLES ± 3'	DATE 27-NOV-2009	CHK S. HOU 27-NOV-2009	APVD W.J. KE 27-NOV-2009	H. HUANG 27-NOV-2009 S. HOU 27-NOV-2009 W.J. KE 27-NOV-2009	TYPED HOLDING DRAWINGS VI LTD. TAIWAN BRANCH NAME DDRII 240PIN SOCKET
MATERIAL SEE NOTE	FINISH SEE NOTE	WEIGHT	LOC DW A3	SCALE	DRAWING NO C-1734097 SHEET 3 OF 3

CUSTOMER DRAWING