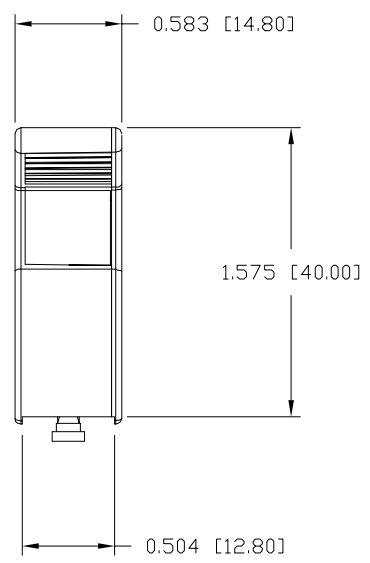
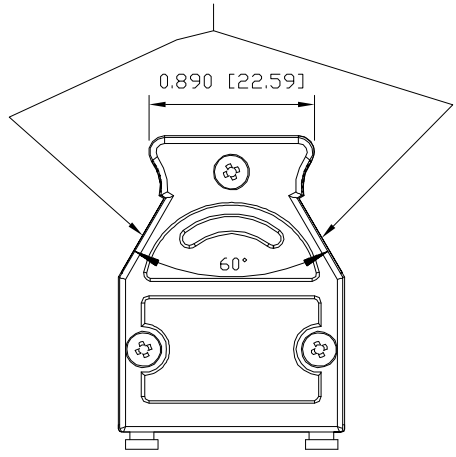


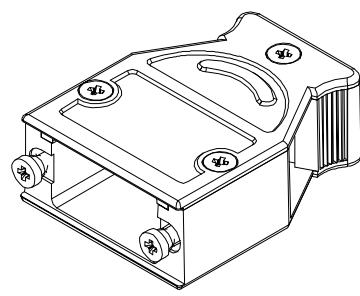
CABLE ENTRY



CABLE DIAMETER  
0.551 [14.00] MAX

**MATERIAL:**

- BACKSHELL: ZINC ALLOY
- COVER: ZINC ALLOY
- MOUNTING SCREWS: STEEL, NICKEL PLATED
- HOUSING SCREWS: STEEL, ZINC PLATED
- GROUNDING SCREW: STEEL, ZINC PLATED
- CABLE SLOT COVER: ZINC ALLOY
- OPERATING TEMP: -55°C TO +90°C



**BACKSHELL KIT INCLUDES:**

- (1) BACKSHELL
- (1) BACKSHELL COVER
- (2) MOUNTING SCREWS (#4-40)
- (3) HOUSING SCREWS (M2.5x0.45)
- (1) GROUNDING SCREW (M2.5x0.45)
- (1) CABLE SLOT COVER

GROUNDING SCREW (PHILLIPS)



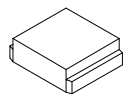
HOUSING SCREW (PHILLIPS)



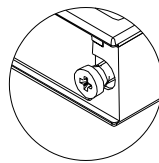
MOUNTING SCREW (PHILLIPS)



CABLE SLOT COVER



\*\*SEE PAGE 2 FOR CABLE CLAMPS



Mounting screw(s) shown to the left will not mate with any NorComp current hardware options. Please refer to NorComp 975M Series product page for slide lock hardware options (purchased separately).

**RoHS COMPLIANT**

UNITS = inch [mm]

**DO NOT SCALE FROM DRAWING**



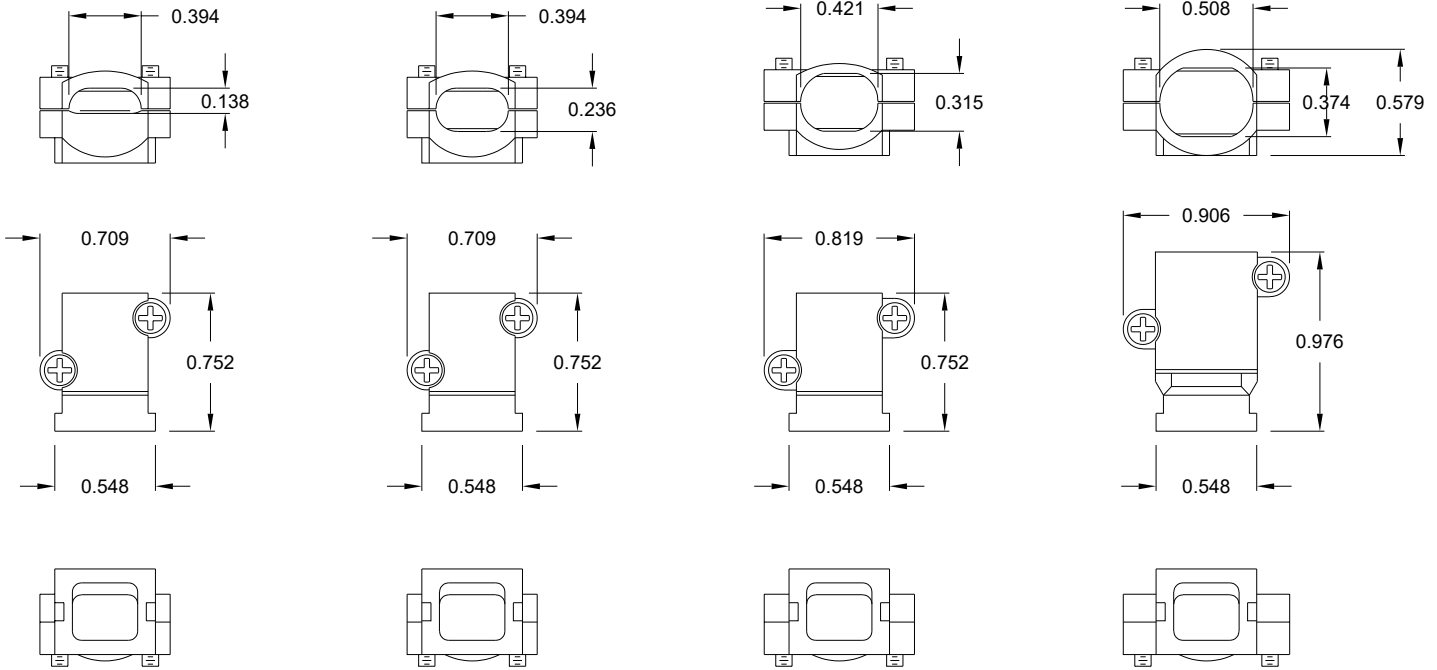
THESE DRAWINGS AND SPECIFICATIONS ARE THE PROPERTY OF NorComp AND SHALL NOT BE REPRODUCED, COPIED OR USED AS THE BASIS FOR THE MANUFACTURE OR SALE OF APPARATUS WITHOUT WRITTEN PERMISSION.

DRAWN: M. SIGMON  
DATE: 08/16/2016

**NorComp**

SCALE: NTS	SHEET 1 OF 2	REV 2
DWG NO. 975M009-030R121		

## CABLE CLAMPS ORDERED SEPARATELY



P/N **955-09-SR-4-7**  
CABLE RANGE = 0.157 - 0.276

P/N **955-15-SR-7-10**  
CABLE RANGE = 0.276 - 0.394

P/N **955-25-SR-9-12**  
CABLE RANGE = 0.354 - 0.472

P/N **955-37-SR-11-14**  
CABLE RANGE = 0.433 - 0.551

RoHS COMPLIANT

UNITS = inch

DO NOT SCALE FROM DRAWING



THESE DRAWINGS AND SPECIFICATIONS ARE THE PROPERTY OF NorComp AND SHALL NOT BE REPRODUCED, COPIED OR USED AS THE BASIS FOR THE MANUFACTURE OR SALE OF APPARATUS WITHOUT WRITTEN PERMISSION.

DRAWN:  
**M. SIGMON**  
DATE:  
**08/16/2016**

**NorComp**

SCALE: NTS	SHEET 2	OF 2	REV 2
DWG NO.		<b>975M009-030R121</b>	