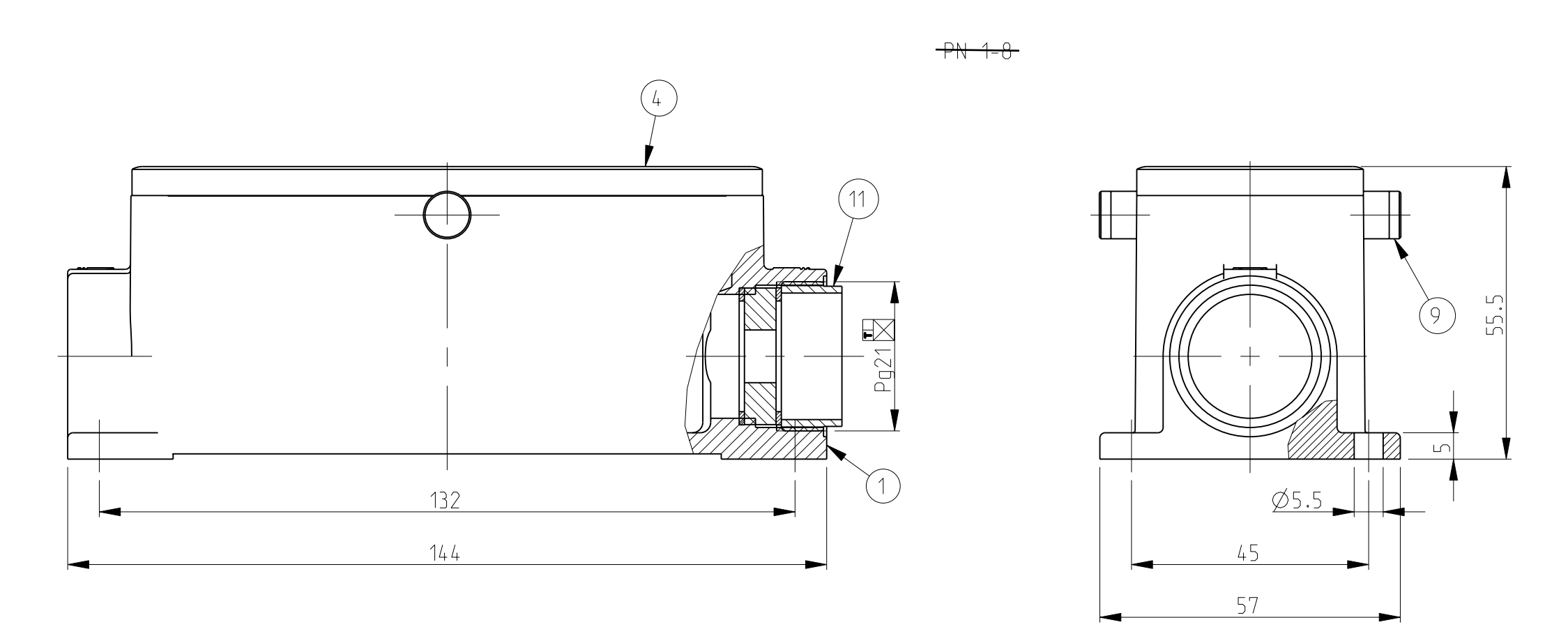
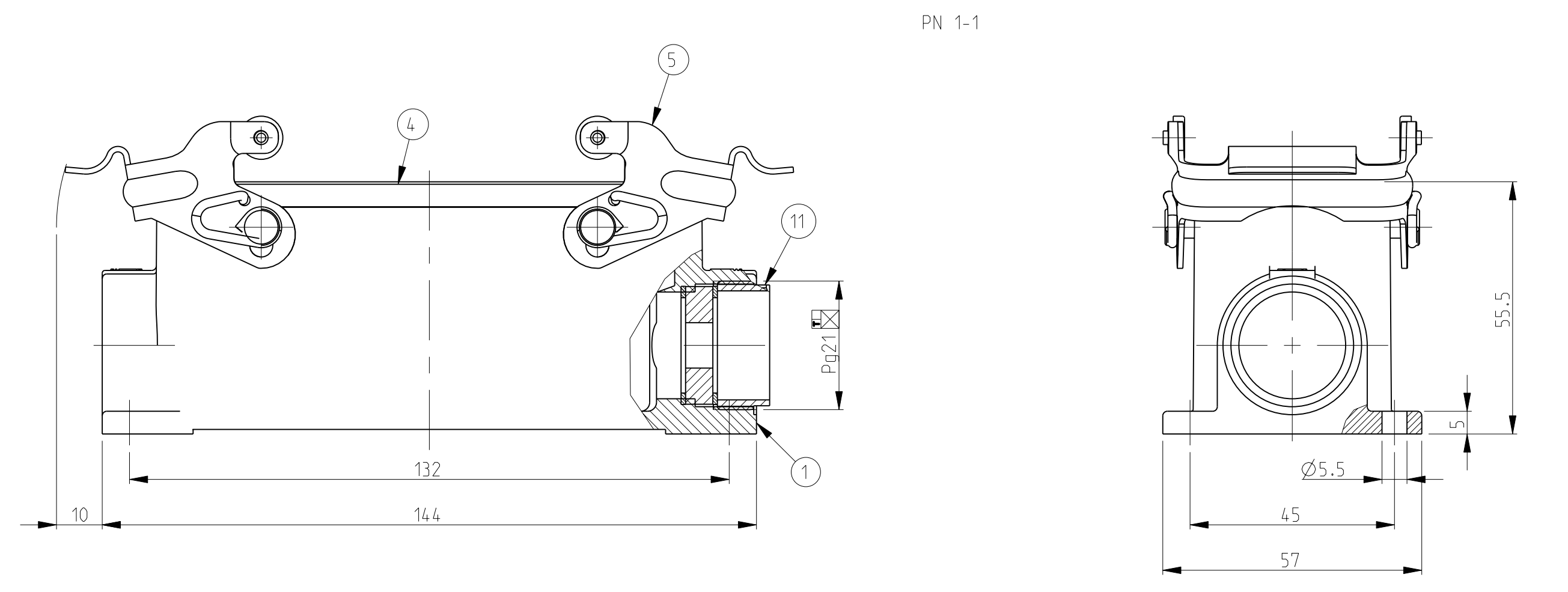
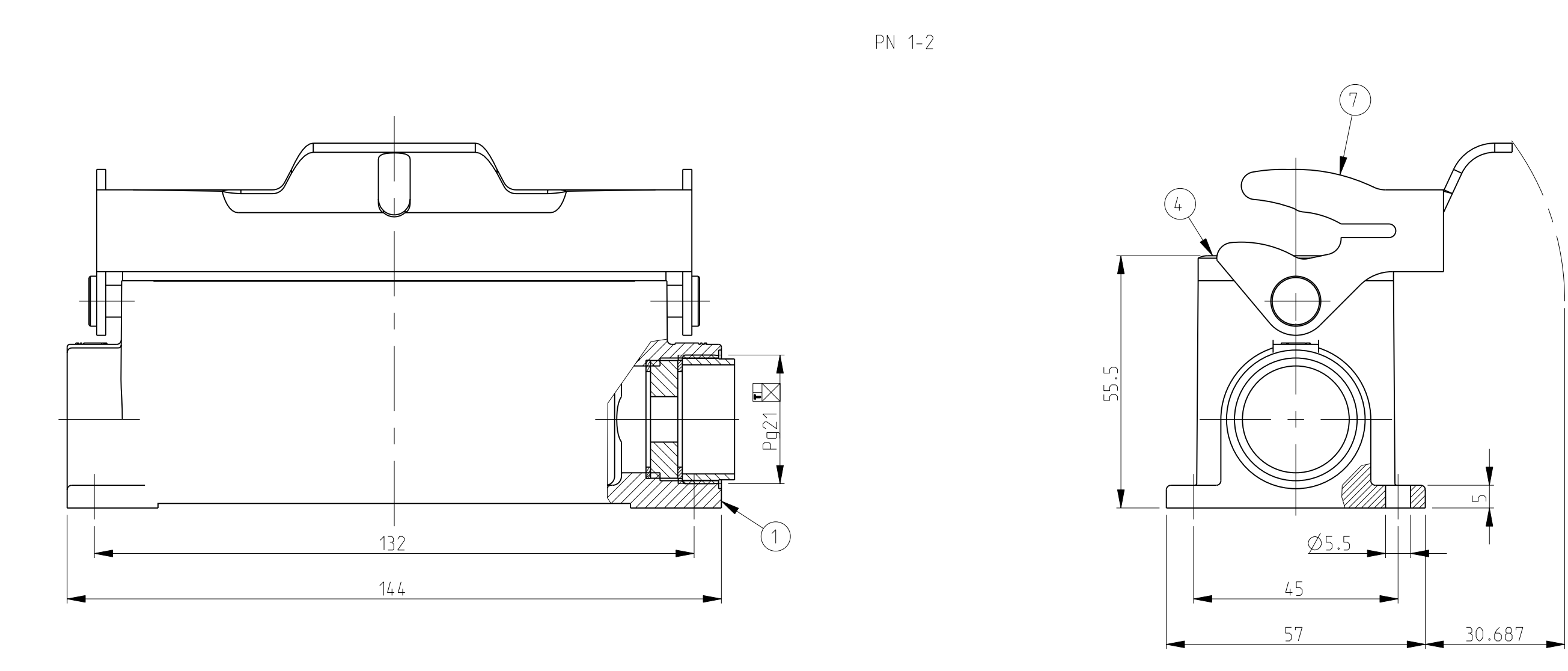
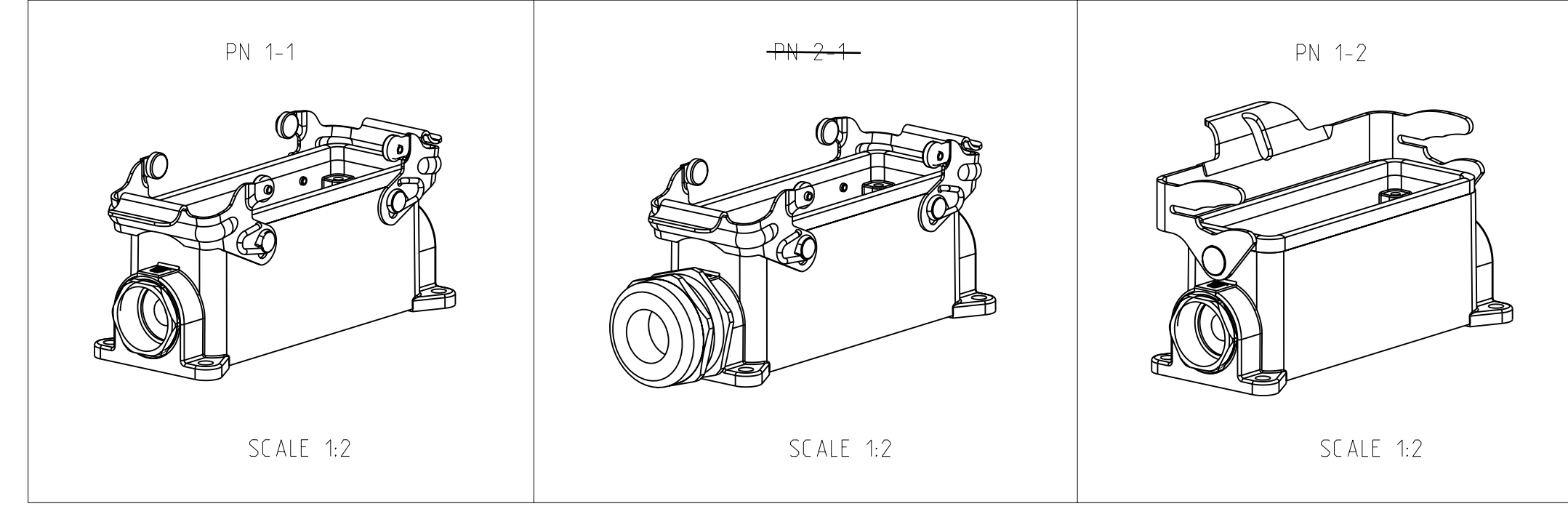
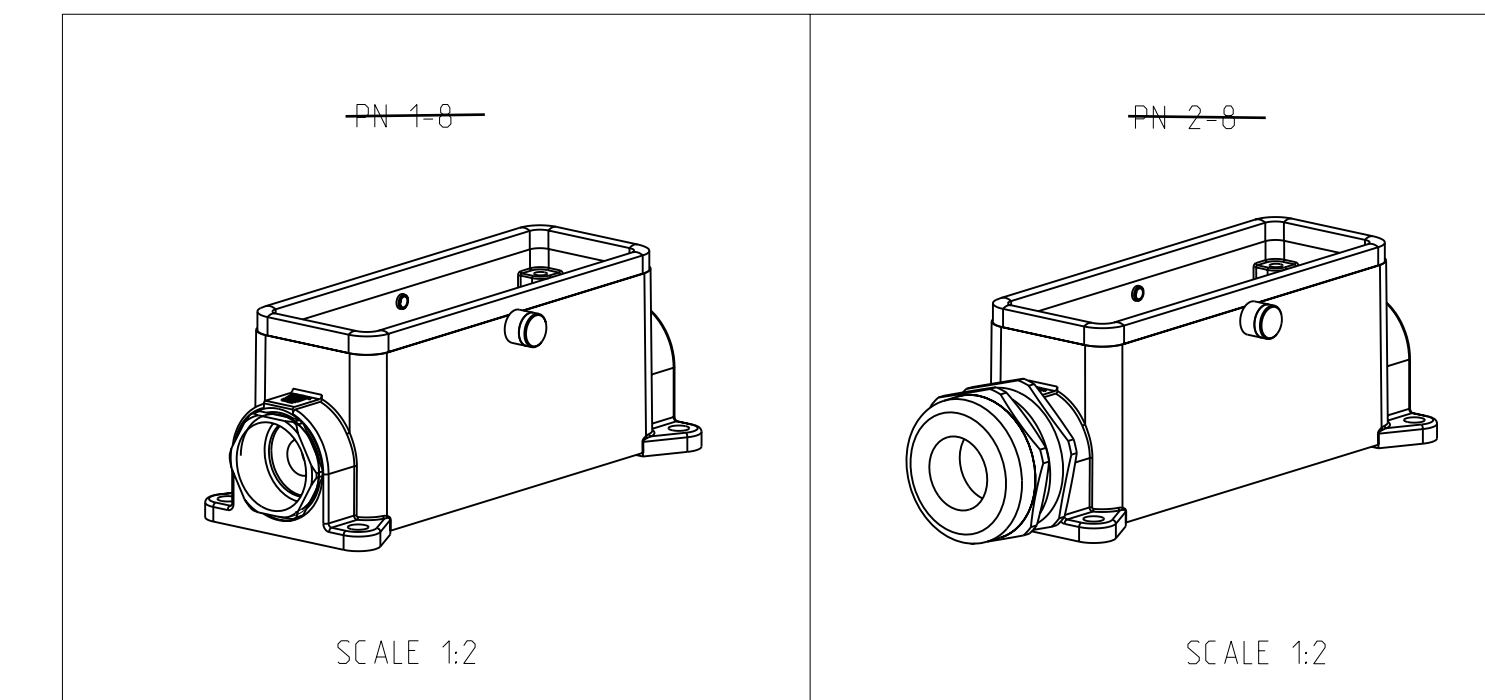
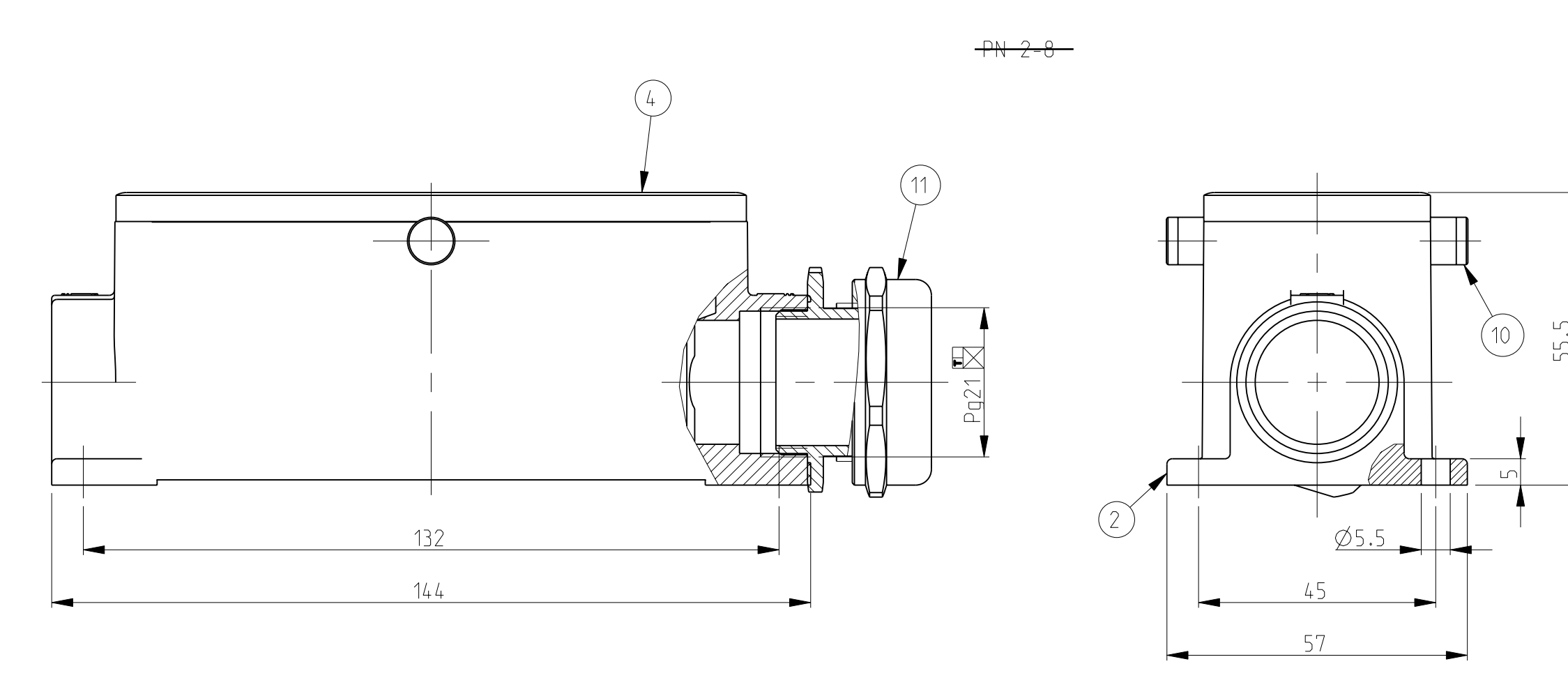
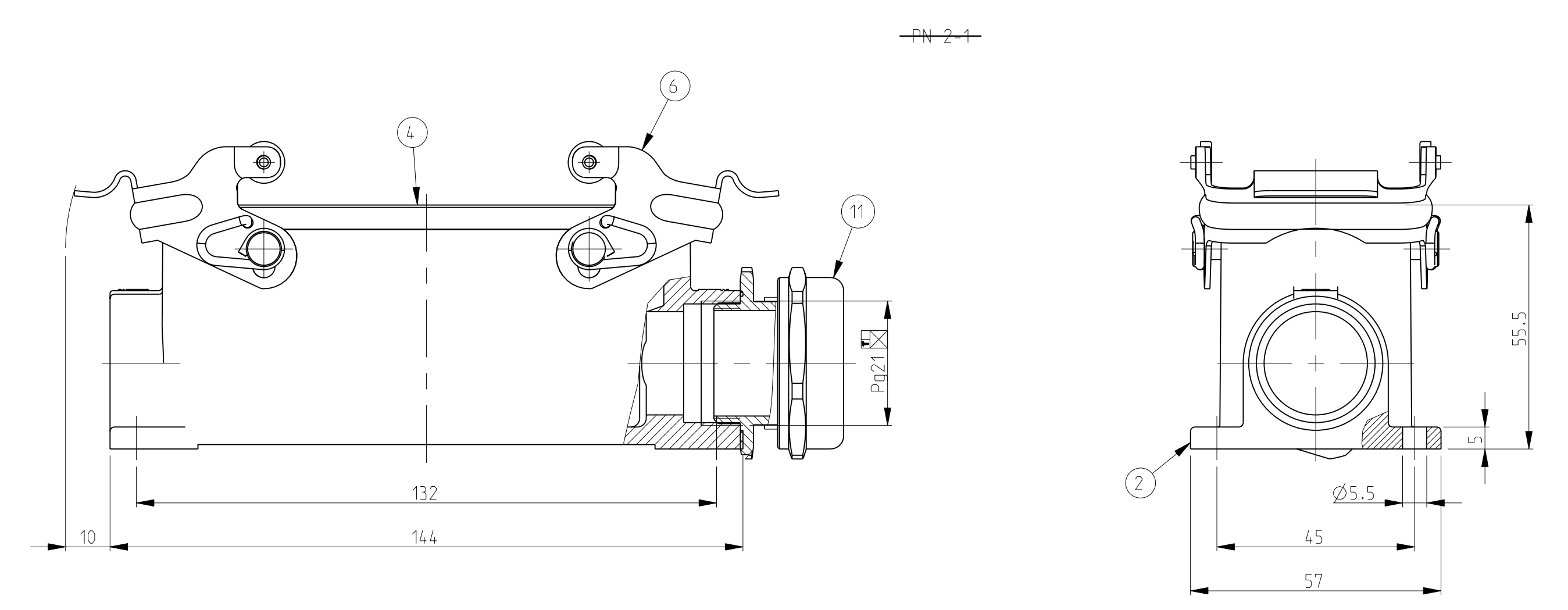


LOC	DIST	REVISIONS					
		P	LN	DESCRIPTION	DATE	BY	APPD
A1	-	A5		REVISED PER ECO-09-027197	17DEC2009	KK	AEG
		A6		ECR-17-013084	29MAR18	SG	MKO



- NOTES.
- 1 Material:Housing:Aluminium Diecasting Alloy
Seals:Neoprene
 - 2 Surface:Varnish grey
- Aluminium Oxide -Varnish Black
 - 3 Packaging
Quantity 5 Pieces in a box
- ⚠ OBSOLETE PARTS: OBSOLETE CIS STREAMLINING PER D.RENAUD/D.SINISI



QTY	DESCRIPTION	MATERIAL	SURFACE	COLOR	ITEM NO	NOTES
1	SEALING PLUG	Brass	Nickel plated		12	BS.21.MS
1	Cable fitting screw	Brass	Nickel plated		11	DS.21.D1
2	ZB-Clip bolt	Stainless steel			10	
2	ZB-Clip bolt	Steel	Zinc plated		9	
1	LB-Side clip	Stainless steel			8	
1	LB-Side clip	Steel	Zinc plated		7	
1	VS-Locking clip	Stainless steel			6	
1	VS-Locking clip	Steel	Zinc plated		5	
1	Profile seal	Neoprene			4	
1	Surface mounted housing side entry HB BgB	Aluminium		Black	3	
1	Surface mounted housing side entry HB BgB	Aluminium	Aluminium oxide	Black	2	
1	Surface mounted housing side entry HB BgB	Aluminium		Grey	1	

ORDERING TEXT

HB-24-SG-VS-1.21
 HB-24-SG-VS-1.21
 HB-24-SG-LB-1.21
 HB-K-24-SG-LB-1.21
 HB-2-24-SG-ZVGR-1.21
 HB-K-24-SG-ZVGR-1.21
 HB-24-SG-LB-1.21-G-Ø34-B-SO

DATE: 05.11.1999
 DWG: M. Schneider
 APPD: M. Schneider

TE Connectivity

NAME: Surface mounted housing side entry
 HB.24.1.21

PRODUCT SPEC: 108-74001.74003
 APPLICATION SPEC: 114-74001.74004

SIZE: A0
 CASE CODE: 00779
 DRAWING NO: C=1102330

RESTRICTED TO: -

CUSTOMER DRAWING

SCALE: 1:1 SHEET: 1 OF 1 REV: A6