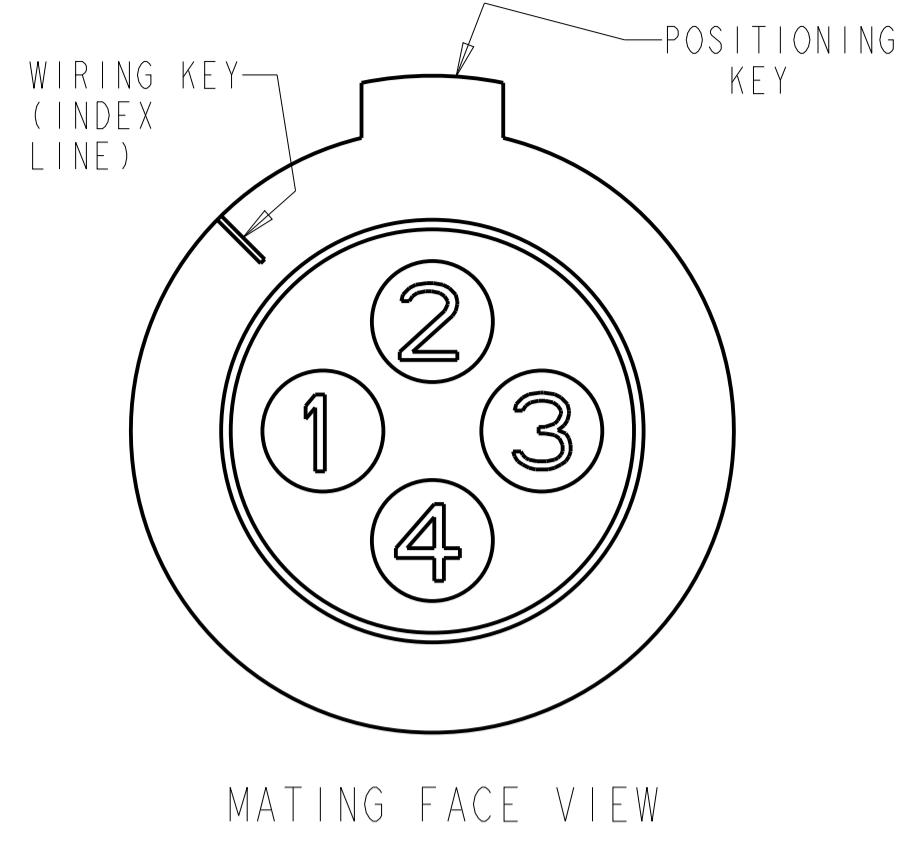
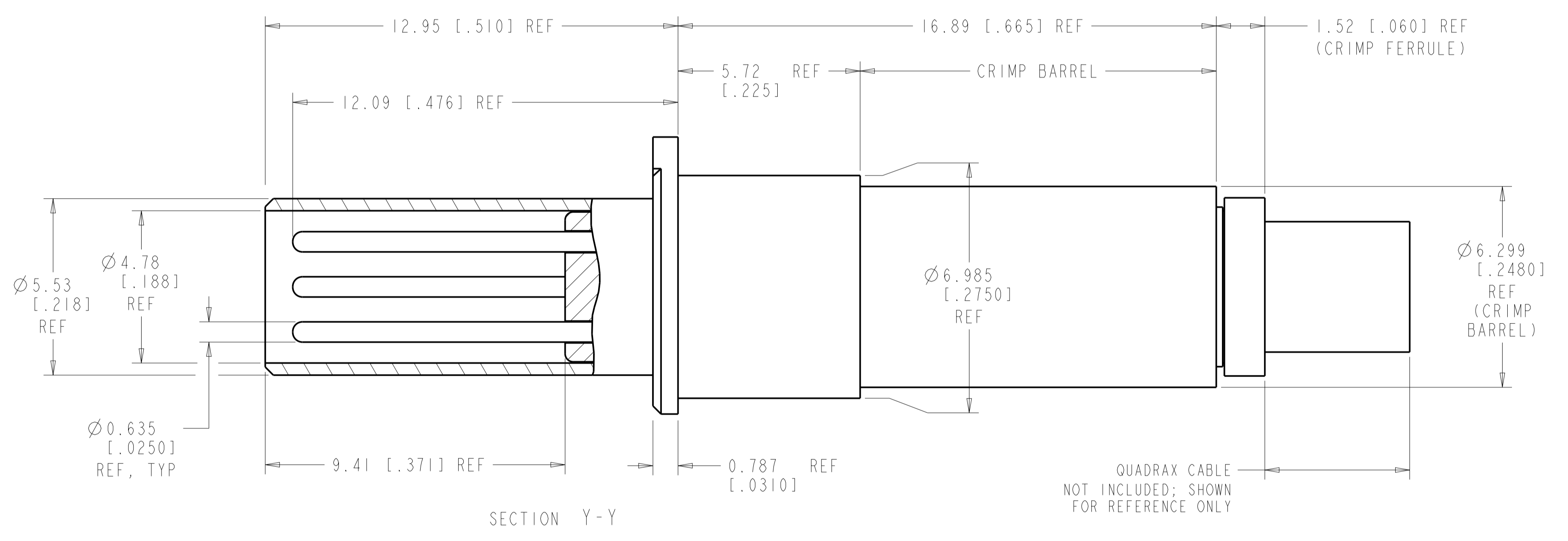
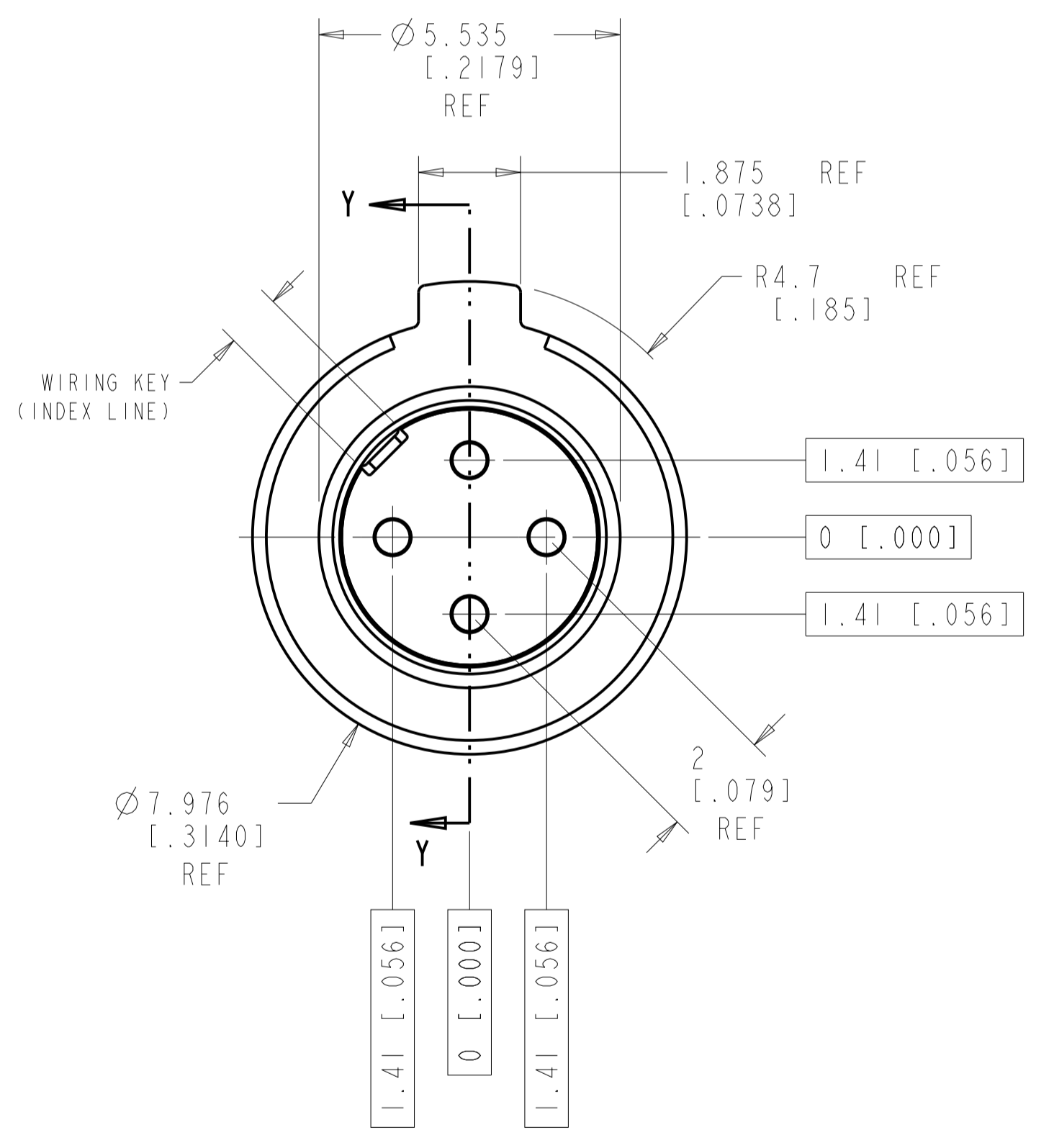
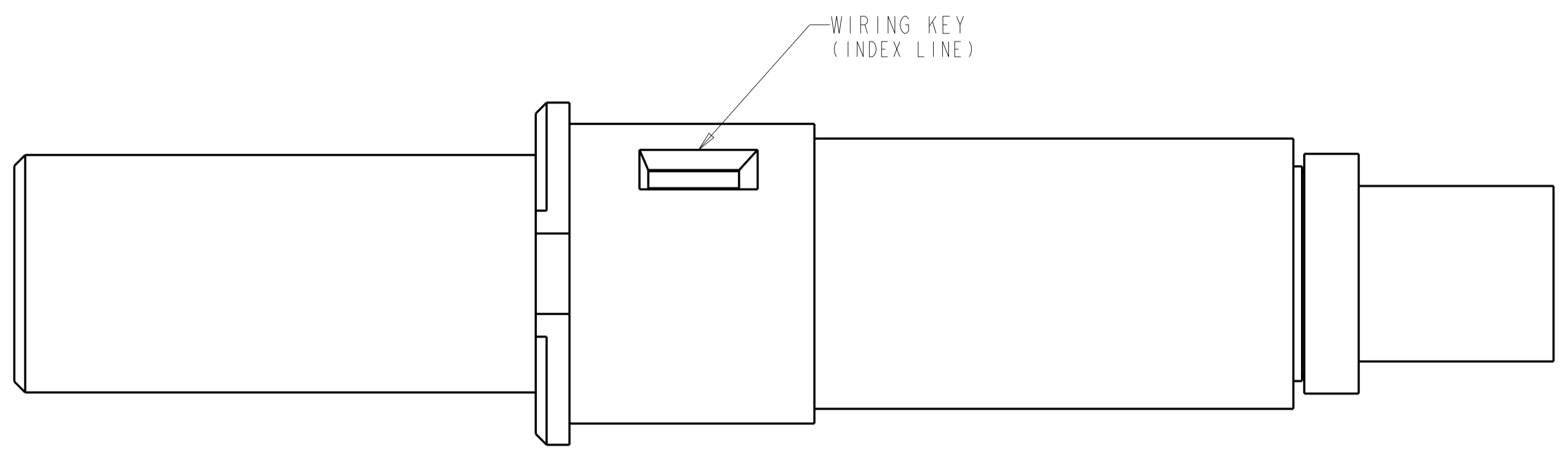
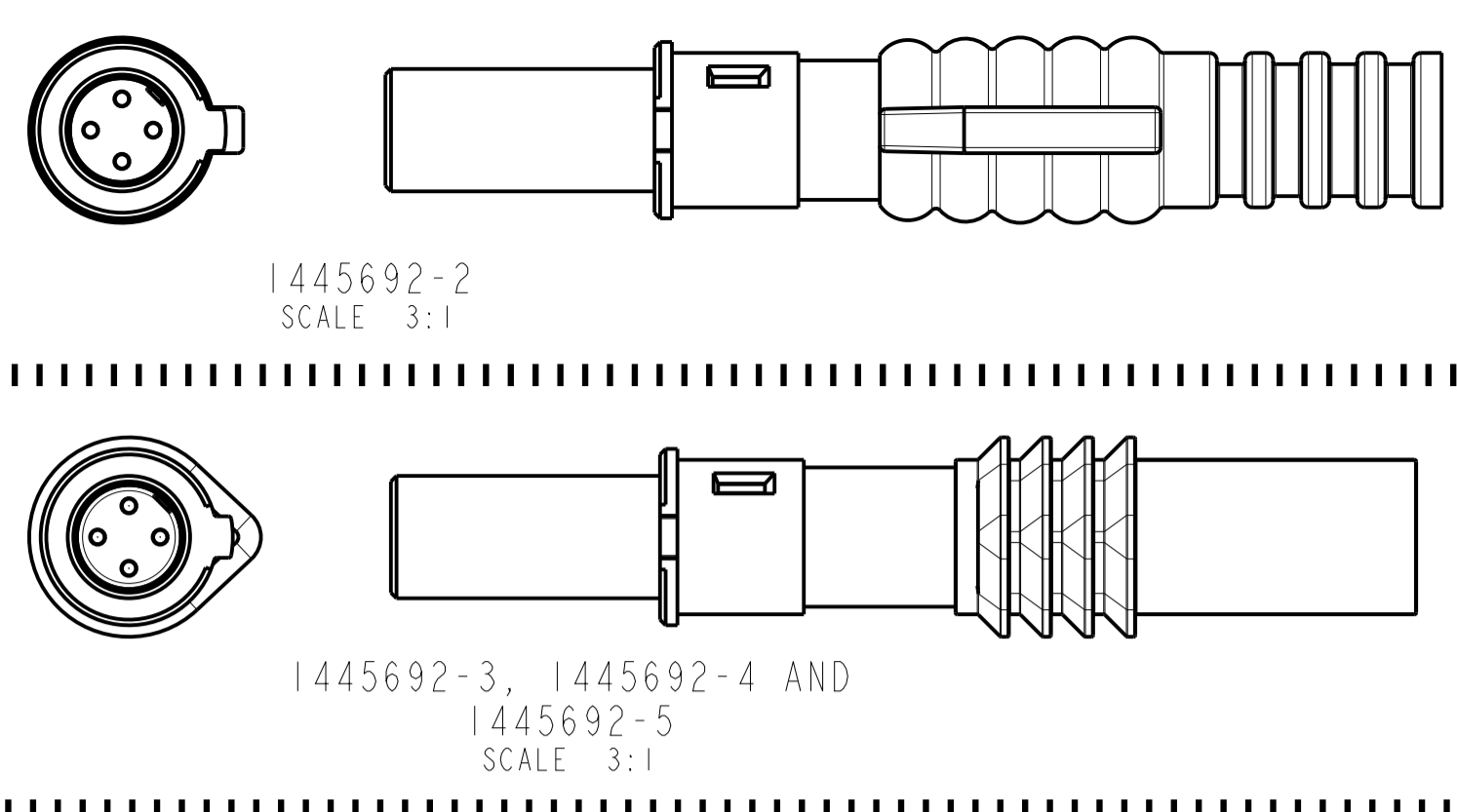


REVISIONS				
P.	LTR.	DESCRIPTION	DATE	APVD.
H2	REV PER ECO	14-011279	10-7-14	CT DM



CONTACT CAVITY NUMBERING
STANDARD CAVITY NUMBER ASSIGNMENT



QUADRAX CABLE
NOT INCLUDED; SHOWN
FOR REFERENCE ONLY

- COMPONENTS ARE PACKAGED IN KIT FORM. CABLE MUST BE PURCHASED SEPARATELY.
- ASSEMBLY PER APPLICATION SPECIFICATION 114-13123.
- USE INSERTION-EXTRACTION TOOL 1738894-1.
 - ⚠ TENSOLITE NF24Q100 OR EQUIVALENT
 - ⚠ DRAKA F4704-4 OR EQUIVALENT

⚠	BACC47GA2	-	SAME AS -4 EXCEPT WITHOUT WIRE SEAL	1445692-8
⚠	-	-	AS SHOWN WITHOUT WIRE SEAL	1445692-6
⚠	-	BLUE	AS SHOWN WITH WIRE SEAL	1445692-5
⚠	BACC47GA1	BLUE	SAME AS -1 EXCEPT WITH WIRE SEAL	1445692-4
⚠	---	BLUE	SAME AS -1 EXCEPT WITH WIRE SEAL	1445692-3
⚠	---	RED	SAME AS -1 EXCEPT WITH WIRE SEAL	1445692-2
⚠	---	--	AS SHOWN; WITHOUT WIRE SEAL	1445692-1
RECOMMENDED CABLE	CUSTOMER PART NUMBER	SEAL COLOR	DESCRIPTION	PART NO.

THIS DRAWING IS A CONTROLLED DOCUMENT.

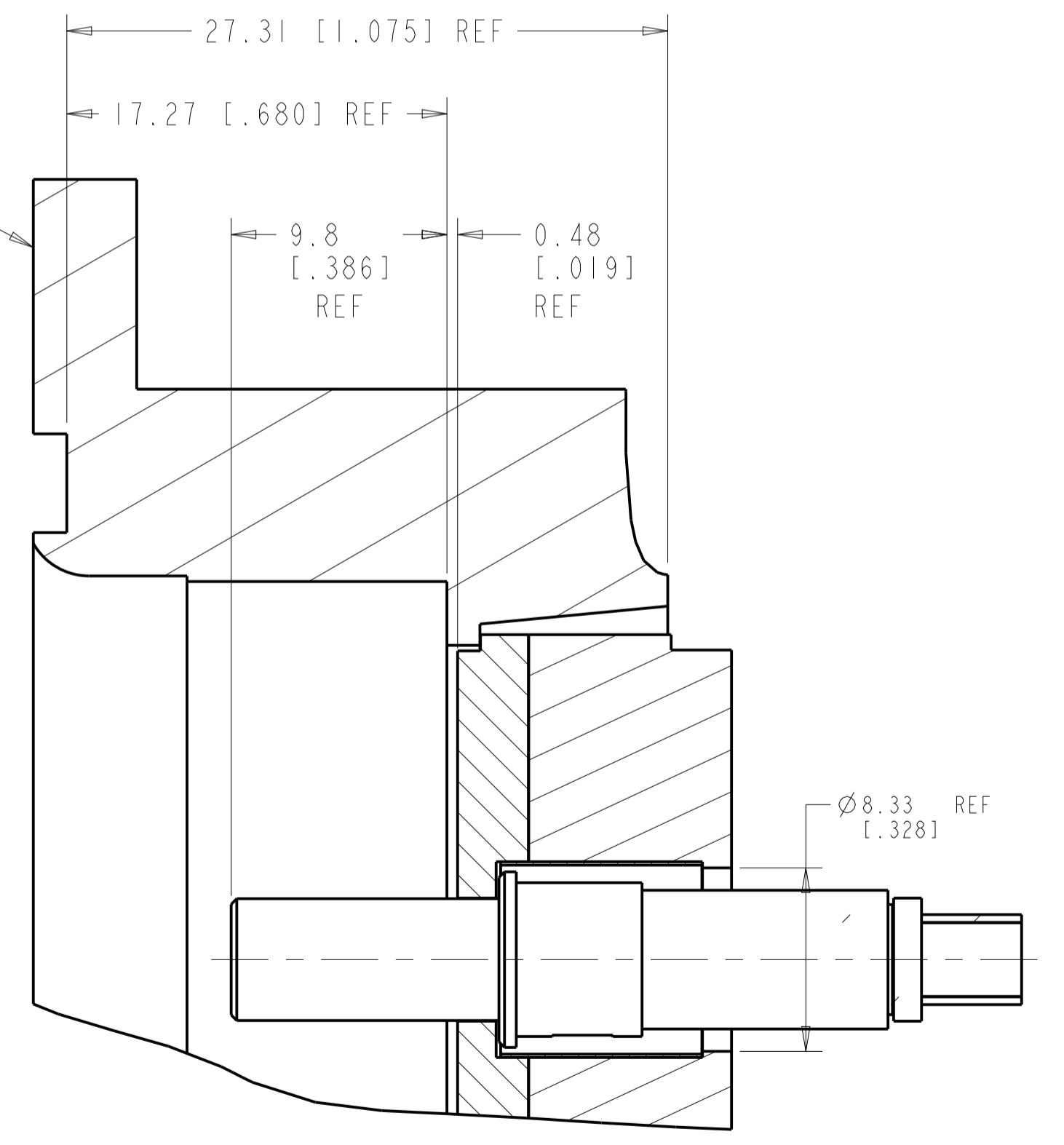
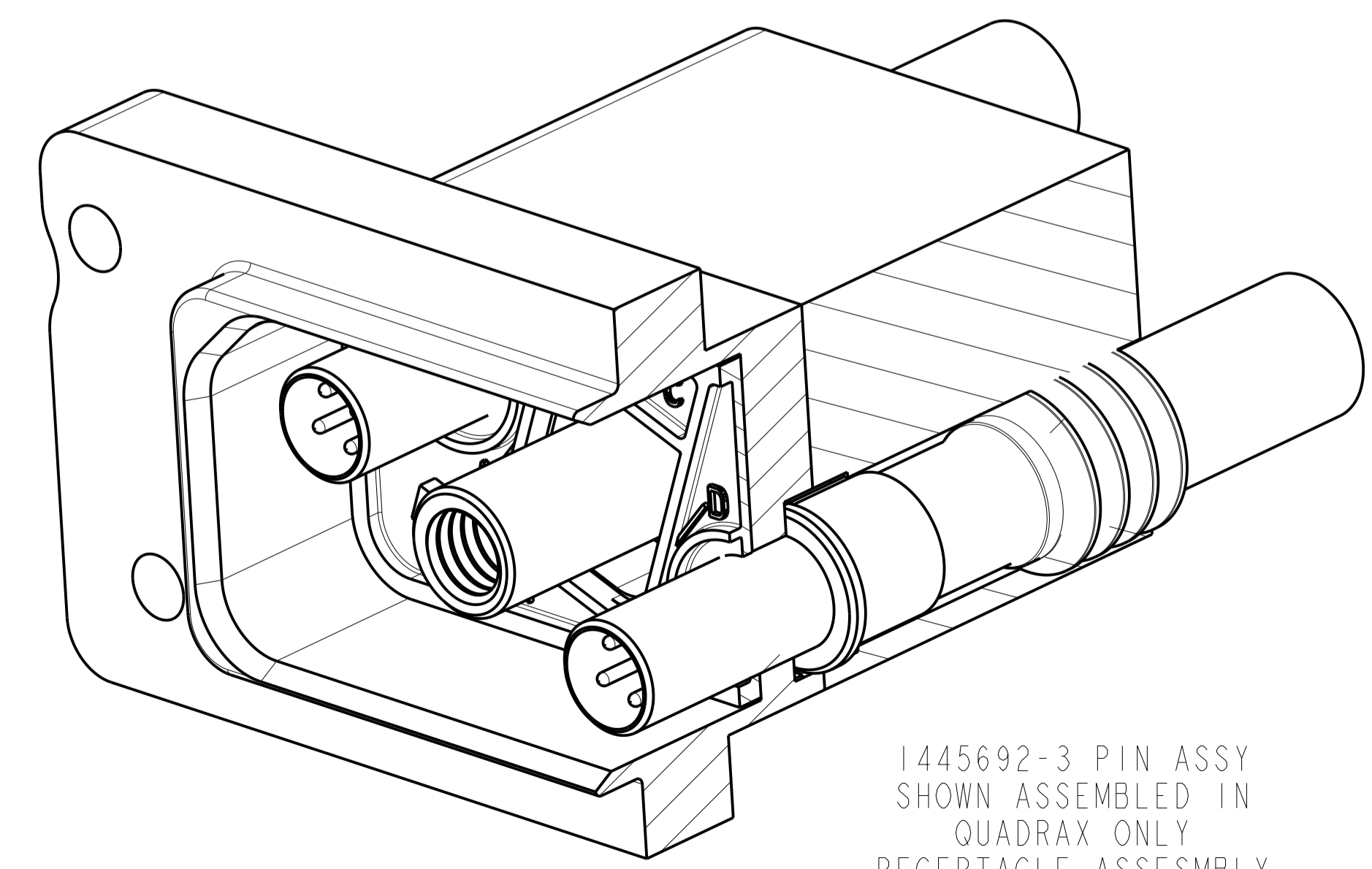
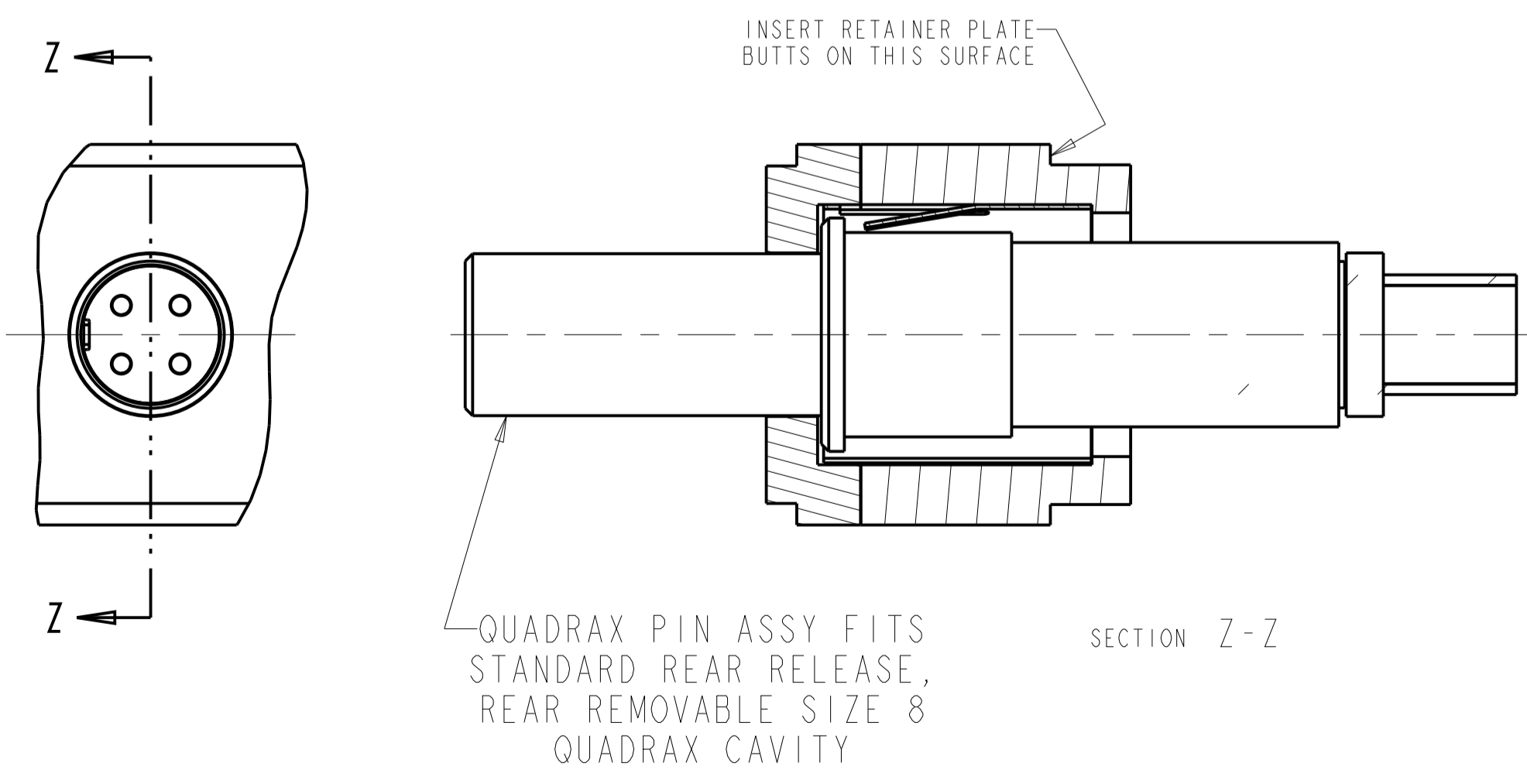
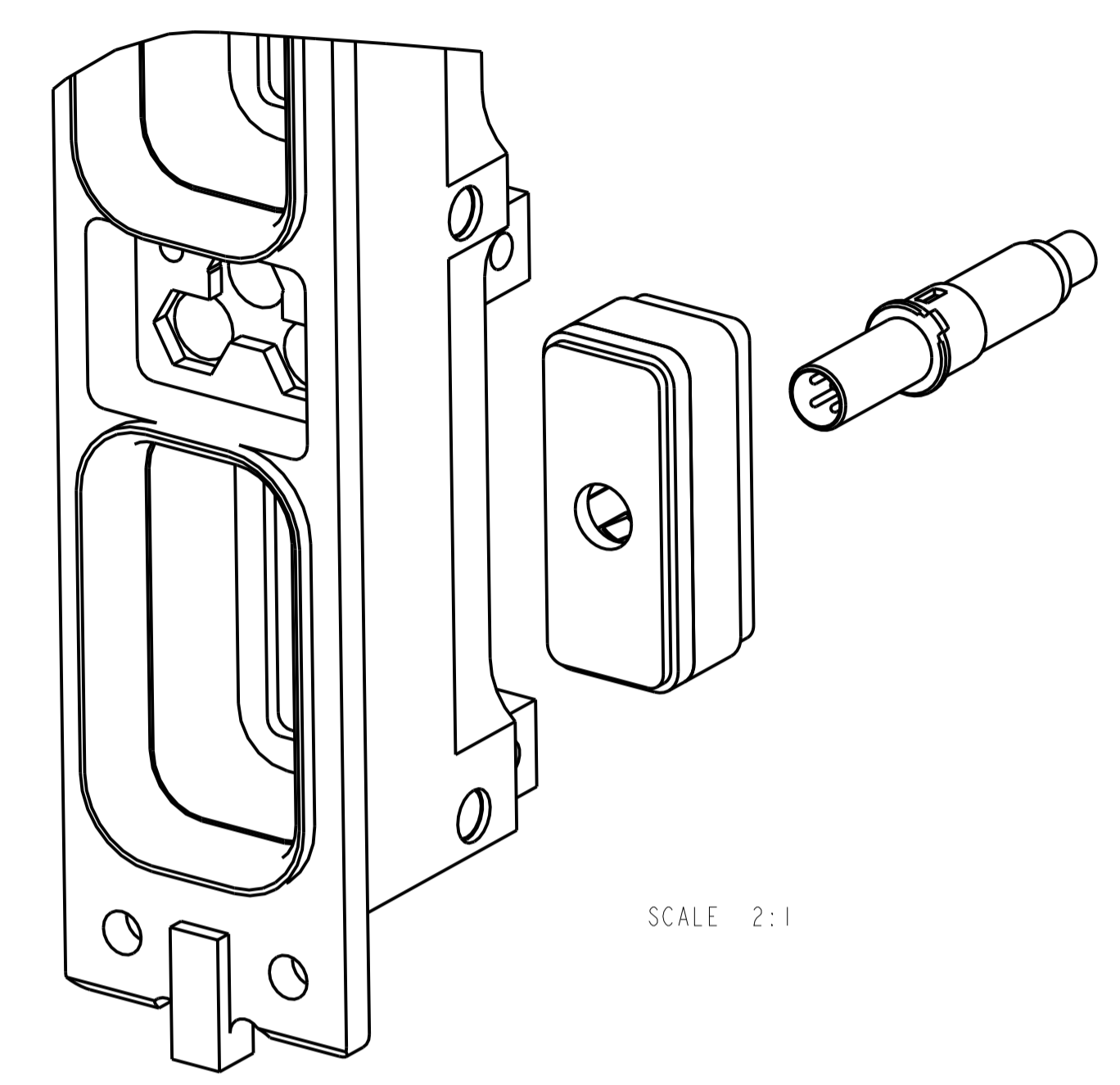
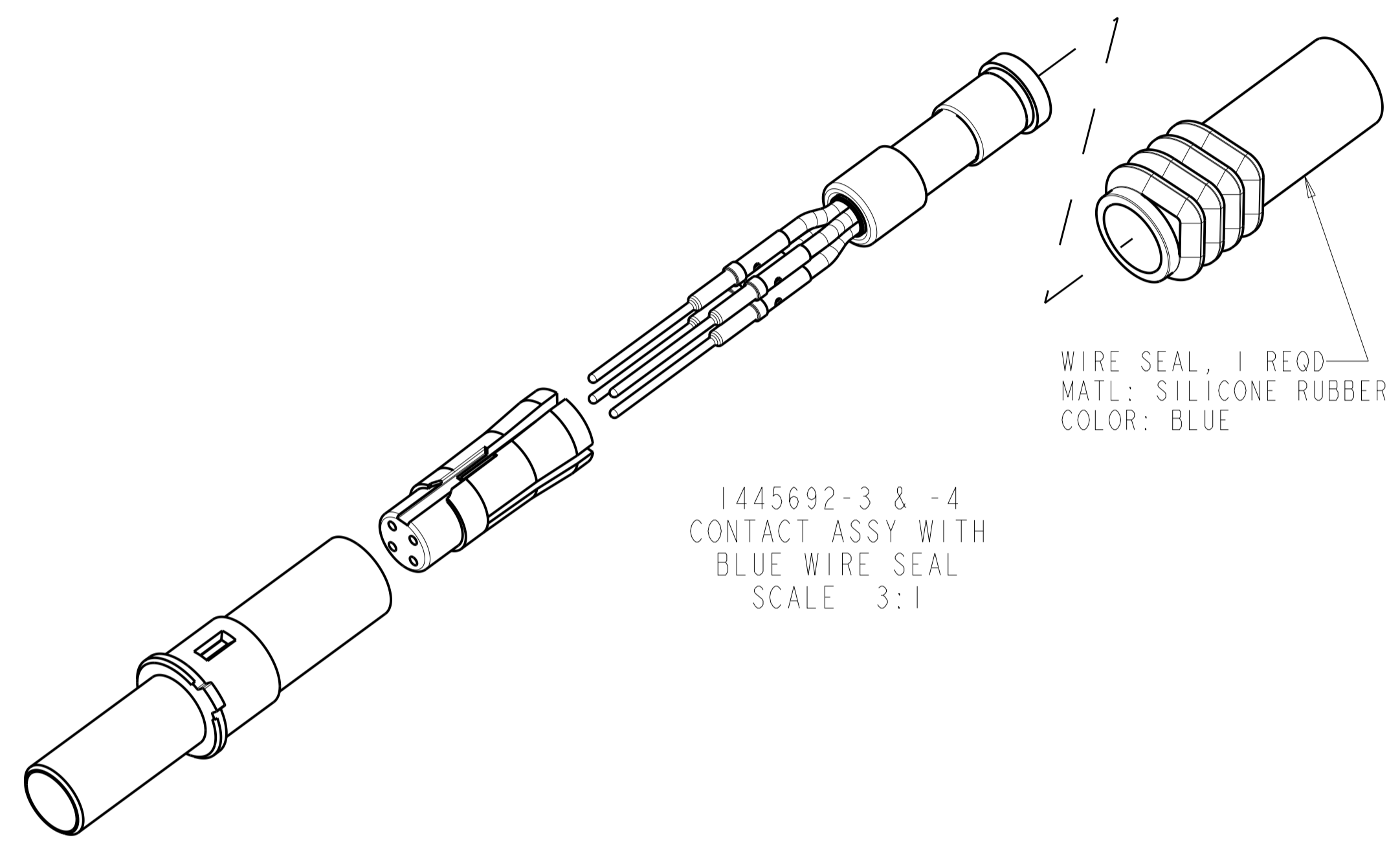
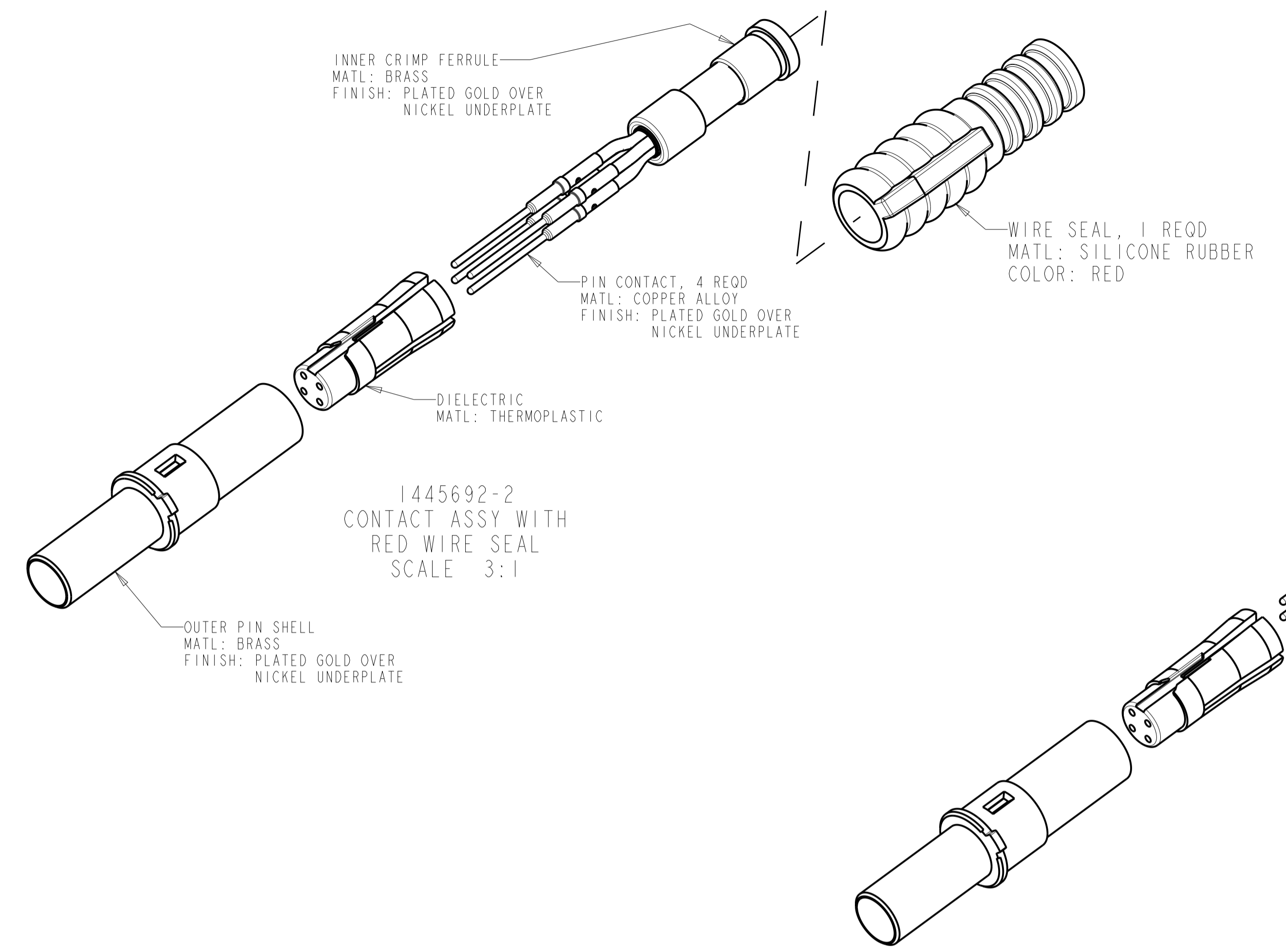
OWN: Brent D. [Signature] 23 JUNE 2004
CHK: W.H. BERNHART 23 JUNE 2004
APVD: W.H. BERNHART 23 JUNE 2004

TE Connectivity

ASSEMBLY, PIN, QUADRAX, 2mm SQ, AIRCRAFT DATA NETWORK, RR/RR, WITH PIN CONTACTS

SIZE: A1 CAGE CODE: 1445692 SCALE: 10:1 SHEET: 1 OF 2 REV: H2

REVISIONS				
P.	LTN.	DESCRIPTION	DATE	APVD.
-	-	SEE SHEET 1	-	-



QUADRAX PIN ASSY SHOWN INSTALLED IN
 STANDARD ARINC 600, SIZE 1 INSERT
 WITH REAR RELEASE, REAR REMOVABLE
 SIZE 8 QUADRAX CAVITY

THIS DRAWING IS A CONTROLLED DOCUMENT.		OWN: Brent D. John 23JUNE2004	TE Connectivity
DIMENSIONS: mm [INCH]		CHK: W.H. BERNHART 23JUNE2004	
TOLERANCES UNLESS OTHERWISE SPECIFIED:		APVD: W.H. BERNHART 23JUNE2004	NAME: ASSEMBLY, PIN, QUADRAX, 2mm SO, AIRCRAFT DATA NETWORK, RR/RR, WITH PIN CONTACTS
0 PLC ± .	1 PLC ± 0.2 [0.008]	PRODUCT SPEC	SIZE: A1
2 PLC ± 0.13 [0.005]	3 PLC ± 0.051 [0.002]	APPLICATION SPEC	CAGE CODE: 1445692
4 PLC ± .	FINISH: .	WEIGHT: .	SCALE: 3:1
ANGLES: .	MATERIAL: .	CUSTOMER DRAWING	SHEET 2 OF 2
			REV H2