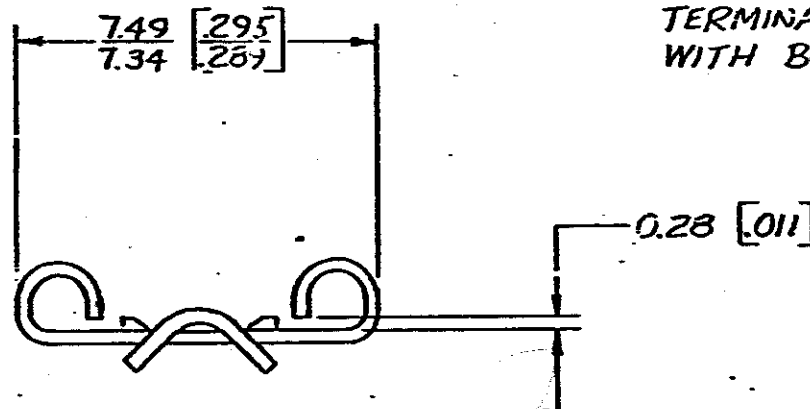
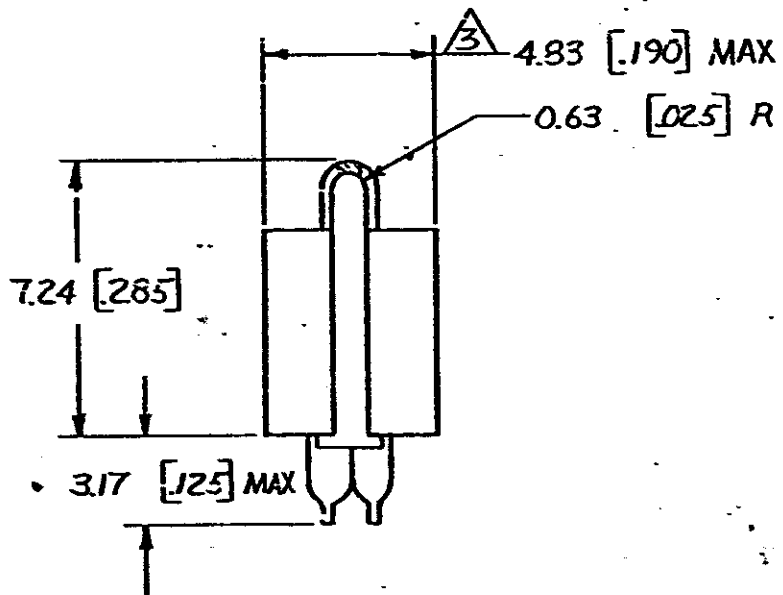


© COPYRIGHT 1978 BY AMP INCORPORATED, HARRISBURG, PA.
 ALL INTERNATIONAL RIGHTS RESERVED. AMP INCORPORATED PRODUCTS
 COVERED BY U. S. AND FOREIGN PATENTS AND/OR PATENTS PENDING.

REVISIONS						
①	F	ZONE	LTR	DESCRIPTION	DATE	APPROVED
✓	✓		A	REVISED AF-1146	1/24/65	SM/64
✓	✓		B	OBS 62806-1 AF-4436	8/22/88	PMF
✓	✓		C	REV PER AF-4436	9/2/88	PMF/DJB
✓	✓		D	REACTIVATE 62806-1 AF-5992	10/2/81	PMF

1. DIMS IN BRACKETS ARE IN INCHES.
2. TO BE MOUNTED IN 2.54 ± 0.05
 $[.100 \pm .002]$ DIA HOLE.
- ③ MAX DIMENSION REFERS TO THE
 TERMINAL'S COMPRESSED STATE
 WITH BOTH PADS TOUCHING.



62751-1	62806-1
STRIP NO.	PART NO LOOSE PIECE

<h1>METRIC</h1>	UNLESS OTHERWISE SPECIFIED DIMENSIONS ARE IN MM MM TOLERANCES ON: DECIMALS ± 0.38 [05] ANGLES \pm	CONTRACT NO	AMP INCORPORATED Harrisburg, Pa.	
	MATERIAL 0.25 [010] THK BRASS	DR: <i>X. Schaffhauser</i> 8/23/78 CHK: <i>G. Yetter</i> 8-29-78 APPD: <i>D. Schwink</i> 8-29-78 APPO: <i>G. Zick</i> 8-29-78		
	FINISH TIN	OTHER APPD	SIZE B	CJDE IDENT NO 00779
			SCALE	DRAWING NO 62806 LOOSE PIECE
			SHEET	