

COUNT	DESCRIPTION OF REVISIONS	BY	CHKD	DATE	COUNT	DESCRIPTION OF REVISIONS	BY	CHKD	DATE
△					△				
△					△				

APPLICABLE STANDARD		USB2.0 SPECIFICATION AND MICRO-USB CABLES AND CONNECTORS SPECIFICATION							
RATING	OPERATING TEMPERATURE RANGE	-30 °C TO +85 °C			STORAGE TEMPERATURE RANGE	-30 °C TO +85 °C			
	VOLTAGE	AC 30V			OPERATING HUMIDITY RANGE	— % TO — %			
	CURRENT ① SIGNAL ONLY ② POWER APPLY	① 1 A/pin ② 1.8 A/pin (PIN No.1,5) 0.5 A/pin (PIN No.2-4)			APPLICABLE CABLE	—			

SPECIFICATIONS

ITEM	TEST METHOD	REQUIREMENTS	QT	AT
------	-------------	--------------	----	----

CONSTRUCTION				
GENERAL EXAMINATION	VISUALLY AND BY MEASURING INSTRUMENT.	ACCORDING TO DRAWING.	×	×
MARKING	CONFIRMED VISUALLY.		×	×

ELECTRICAL CHARACTERISTICS				
CONTACT RESISTANCE	100 mA (DC OR 1000 Hz).	30 mΩ MAX.	×	×
INSULATION RESISTANCE	500 V DC.	100 MΩ MIN.	×	×
VOLTAGE PROOF	100 V AC FOR 1 min.	NO FLASHOVER OR BREAKDOWN.	×	×
CAPASITANCE	MEASURE ADJACENT TWO CONTACTS AT 1000±10Hz AC VOLTAGE.	2 pF MAX	×	—

MECHANICAL CHARACTERISTICS				
INSERTION AND WITHDRAWAL FORCES	A MAXIMUM RATE OF 12.5mm/min. MEASURED BY APPLICABLE CONNECTOR.	INSERTION FORCE 35 N MAX. WITHDRAWAL FORCE 8 N MIN.	×	—
MECHANICAL OPERATION	10000 TIMES INSERTIONS AND EXTRACTATIONS. MATING SPEED - MECHANICALLY OPERATED : 500 CYCLES / h - MANUALLY OPERATED : 200 CYCLES / h	① CONTACT RESISTANCE : NO INCREASE OF MORE THAN 10 mΩ FROM INITIAL VALUE. ② INSERTION FORCE 35 N MAX. WITHDRAWAL FORCE 8 N MIN. ③ NO DAMAGE, CRACK AND LOOSENESS, OF PARTS.	×	—
VIBRATION	FREQUENCY 10 TO 55 Hz, SINGLE AMPLITUDE 0.75 mm, AT 2 h, FOR 3 AXIAL DIRECTIONS, TOTAL 6 h.	① NO ELECTRICAL DISCONTINUITY OF 1 μs. ② NO DAMAGE, CRACK AND LOOSENESS, OF PARTS.	×	—
RANDOM VIBRATION	FREQUENCY 50 TO 2000 Hz, AT 15 min, FOR 3 AXIAL DIRECTIONS.		×	—
SHOCK	490m/s ² DIRECTIONS OF PULSE 11 ms AT 3 TIMES FOR 6 DIRECTIONS, TOTAL 18 TIMES.		×	—

ENVIRONMENTAL CHARACTERISTICS				
THERMAL SHOCK	TEMP -55 → 15 TO 35 → 85 → 15 TO 35 °C TIME 30 → 2 TO 3 → 30 → 2 TO 3 min UNDER 10 CYCLES. (MATING APPLICABLE CONNECTOR)	① CONTACT RESISTANCE : 70 mΩ MAX. ② INSULATION RESISTANCE : 10 MΩ MIN. ③ NO DAMAGE, CRACK AND LOOSENESS, OF PARTS.	×	—
HUMIDITY LIFE	TEMPERATURE -10~65 °C, HUMIDITY 90 TO 98 %, UNDER 7 CYCLES (168 h) (MATING APPLICABLE CONNECTOR)	NO DAMAGE, CRACK AND LOOSENESS, OF PARTS.	×	—

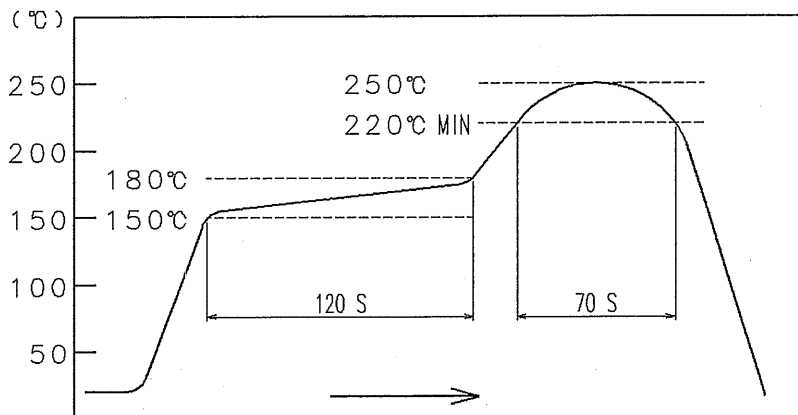
REMARKS	DRAWN	DESIGNED	CHECKED	APPROVED	RELEASED
HIROSE will not guarantee the performance on these specifications in case this product will be mated with the others which is not HIROSE's.	<i>Y. Takeuchi</i>	<i>Y. Takeuchi</i>	<i>M. Kobayashi</i>	<i>[Signature]</i>	ENG 07.3.12 DEPT
Unless otherwise specified, refer to USB2.0 or EIA364	07.03.13	07.03.13	07.03.13	07.03.13	

Note QT:Qualification Test AT:Assurance Test X:Applicable Test				
HS HIROSE ELECTRIC CO., LTD.		SPECIFICATION SHEET		PART NO. ZX62D-AB-5P8
CODE NO. (OLD) CL	DRAWING NO. ELC4-126264	CODE NO. CL242-0027-5	1/2	

TO

SPECIFICATIONS

ITEM	TEST METHOD	REQUIREMENTS	QT	AT
DRY HEAT	EXPOSED AT $+85 \pm 2$ °C, 96 h. (MATING APPLICABLE CONNECTOR)	NO DAMAGE, CRACK AND LOOSENESS, OF PARTS.	×	—
COLD	EXPOSED AT -40 ± 2 °C, 96 h. (MATING APPLICABLE CONNECTOR)	NO DAMAGE, CRACK AND LOOSENESS, OF PARTS.	×	—
CORROSION SALT MIST	EXPOSED IN 5 % SALT WATER, 35 °C FOR 48 h.	NO HEAVY CORROSION.	×	—
RESISTANCE TO SOLDERING HEAT	A PROFILE IS SHOWN IN FIG-1, UNDER 2 CYCLES	NO DAMAGE, CRACK AND LOOSENESS, OF PARTS.	×	—



**FIG - 1 RESISTANCE TO SOLDERING HEAT
(TEMPERATURE AT TOP SURFACE OF CONECTOR)**

■ RECOMMENDED PROFILE REFERS TO FIG - 2.
(TEMPERATURE AT SMT LEADS)

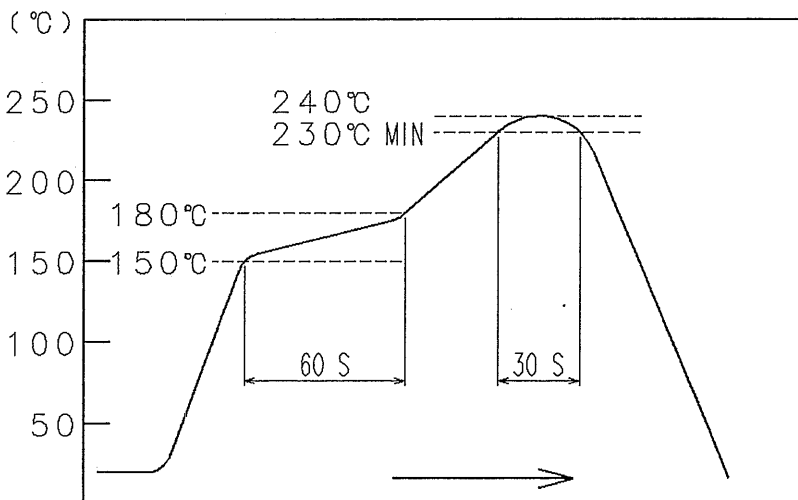


FIG - 2 RECOMMENDED REFLOW PROFILE TEMPERATURE

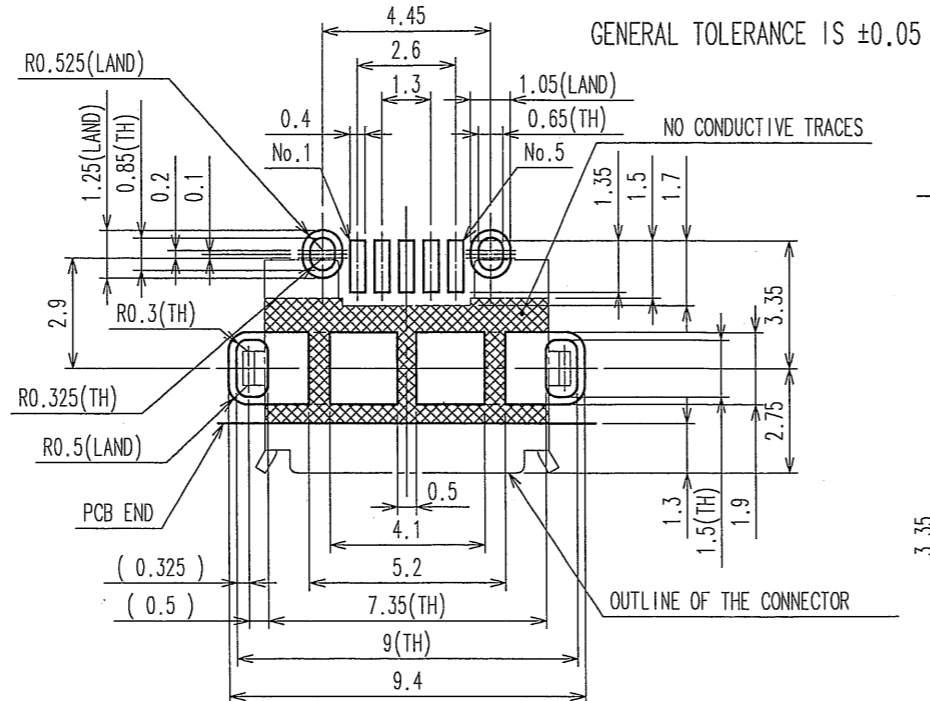
REMARKS HIROSE will not guarantee the performance on these specifications in case this product will be mated with the others which is not HIROSE's.	DRAWN	DESIGNED	CHECKED	APPROVED	RELEASED
Unless otherwise specified, refer to USB2.0 or EIA364	<i>Y. Takeuchi</i>	<i>Y. Takeuchi</i>	<i>H. Kobayashi</i>	<i>[Signature]</i>	ENG 07.3.12 DEPT
	07.03.13	07.03.13	07.03.13	07.03.13	

Note QT:Qualification Test AT:Assurance Test ×:Applicable Test

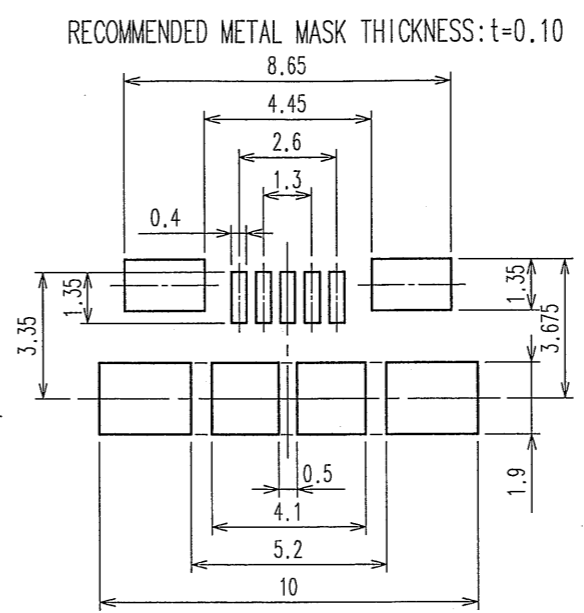
HRS HIROSE ELECTRIC CO., LTD.	SPECIFICATION SHEET	PART NO. ZX62D-AB-5P8
CODE NO.(OLD) CL	DRAWING NO. ELC4-126264	CODE NO. CL242-0027-5
		2

TO

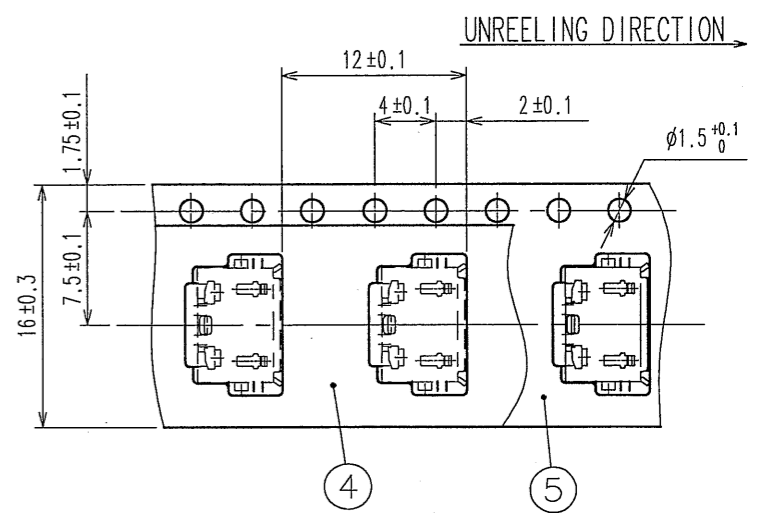
RECOMMENDED PATTERN



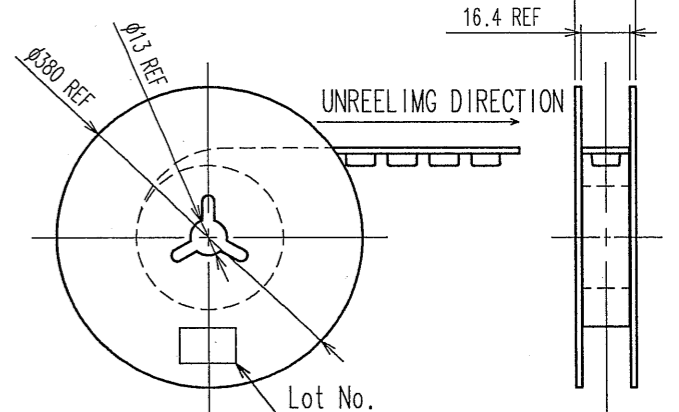
RECOMMENDED METAL MASK OPENING



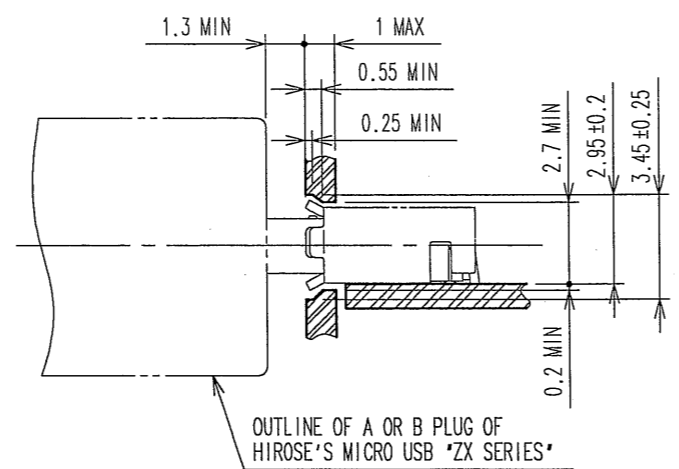
PACKING DETAIL (2:1)



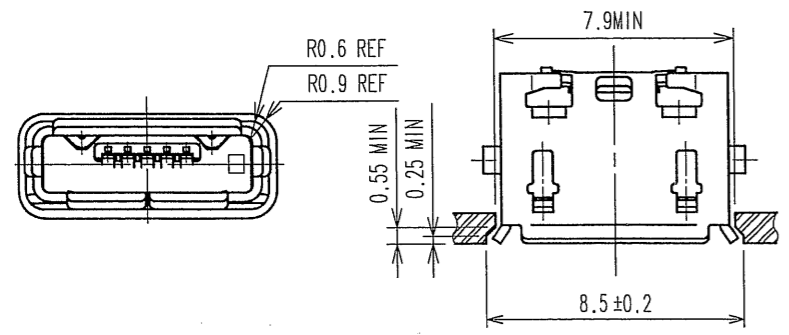
REEL (FREE)



MATED WITH CORRESPONDING PLUG (4:1)



RECOMMENDED PANEL CUTOUT (4:1)



COUNT	DESCRIPTION OF REVISIONS	BY	CHKD	DATE	COUNT	DESCRIPTION OF REVISIONS	BY	CHKD	DATE

- NOTES
- 1 INTERFACE DIMENSIONS CONFORMS TO USB2.0 SPECIFICATION.
 - 2 CO-PLANARITY IS WITHIN 0.08mm.
 - 3 PLATING
CONTACT AREA : GOLD 0.75μm MIN.
LEAD AREA : GOLD 0.05μm MIN.
UNDER PLATING: NICKEL 2μm MIN.
 - 4 PER REEL : 2000 pcs.

NO.	MATERIAL	FINISH, REMARKS	NO.	MATERIAL	FINISH, REMARKS
2	COPPER ALLOY	3	5	PE	
1	LCP	COLOR GRAY UL94V-0	4	PS	
			3	STAINLESS STEEL	UNDER PLATING : NICKEL MOUNTING AREA : TIN LUBRICANT

CODE NO. (OLD)	DRAWN	DESIGNED	CHECKED	APPROVED	RELEASED
	Y. Takeuchi	Y. Takeuchi	H. Hatakeyama	[Signature]	ENG 07.3.28 DEPT
	07.03.27	07.03.27	07.03.28	07.03.28	

SCALE	DRAWING NO.	PART NO.
5 : 1	EDC3-126264	ZX62D-AB-5P8
UNITS	mm	CODE NO.
	HRS HIROSE ELECTRIC CO., LTD	CL242-0027-5

TO