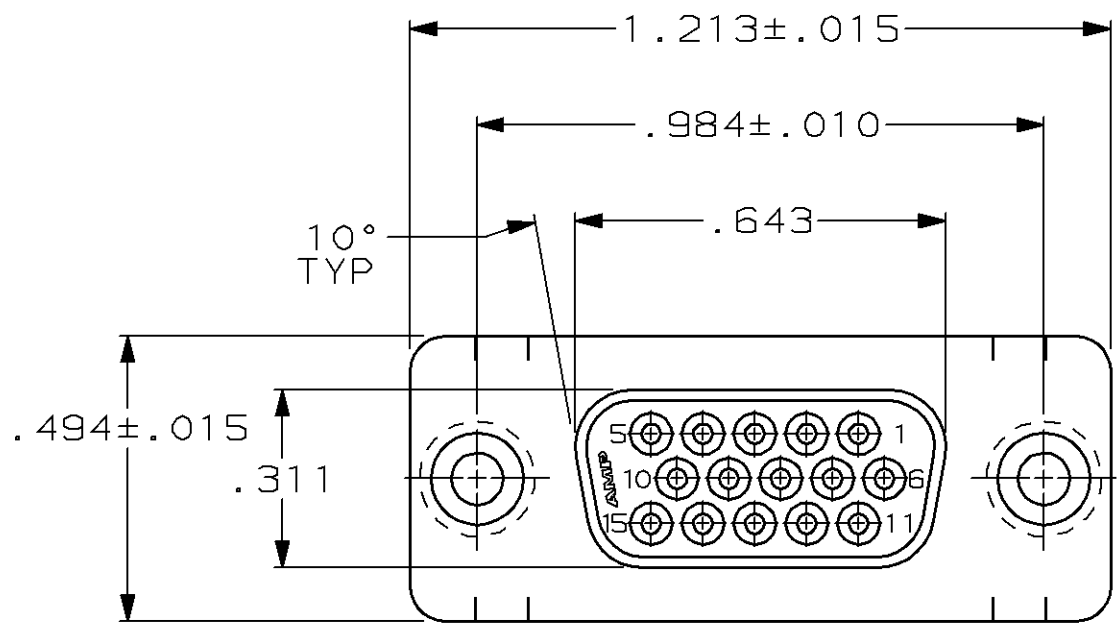
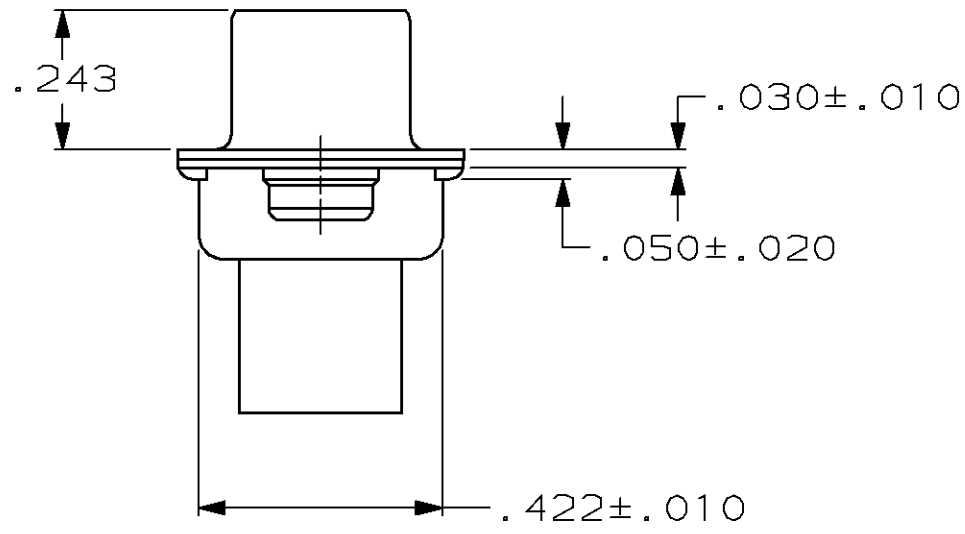
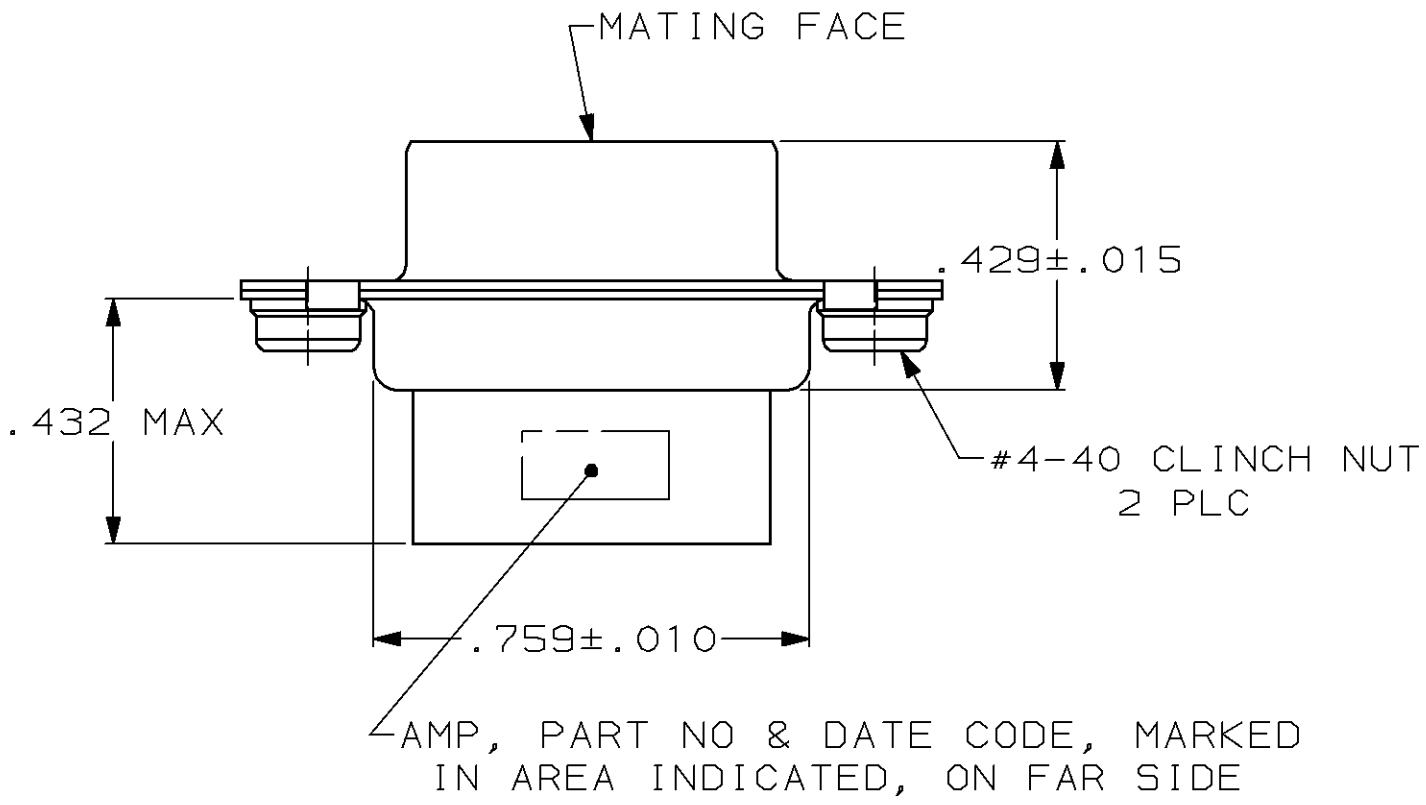


LOC		DIST		REVISIONS				
BD	39	P	F	ZONE	LTR	DESCRIPTION	DATE	APPD
					0	RELEASED	-	-



1. CONNECTOR ACCEPTS SIZE 22 DF SOCKET CONTACTS, RETENTION TINES ARE AN INTEGRAL PART OF INSERT.
2. FLAME RETARDANT 94V-0 RATED GLASS FILLED NYLON, COLOR: BLACK.
3. STEEL PER ASTM A109.
4. STEEL.
5. TIN PLATED PER MIL-T-10727.
6. ZINC PLATED PER ASTM B633, TYPE II, CLASS SC1, YELLOW CHROMATE.



748696-1

PART NO

DO NOT SCALE PRINT. UNLESS SPECIFIED DIMENSIONS IN INCHES TOLERANCES ON : 2 PLC DEC ± .005 3 PLC DEC ± .005 ANGLES ± 2°	DR - CHK - APPD - APPD - PRODUCT SPEC - APPLICATION SPEC - WEIGHT -	AMP INCORPORATED Harrisburg, Pa. 17105
MATERIAL MOLDED PARTS: 2 SHELLS: 3 CLINCH NUTS: 4	NAME	RECEPTACLE CONNECTOR, SIZE 1, 15 POSN, WITH NON-LOCKING CLINCH NUTS, AMPLIMITE® HDP-22
FINISH SHELLS: 5 CLINCH NUTS: 6	SIZE C SCALE 3:1	FSCM NO 00779 DRAWING NO 748696 SHEET 1 OF 1