

- NOTES:
- THIS SHEET SHOWS THE CONDUIT WITH A FEMALE CONNECTOR INTERFACE AND ALL PORTS NC28 MALE.
 - MATERIAL: POLYAMIDE 66 (PA66), 0% GLASS FILL, COLOUR BLACK.
 - CONNECTOR INTERFACE;
93481-0AAB - FEMALE
93481-5AAB - MALE
 - MATES WITH NC AND NW FORMAT CONDUIT, FEMALE INTERFACE MATES WITH FEMALE CONNECTOR SERIES; SEE TABLE 2, SHEET 3.
 - FOR DIMENSIONS SPECIFIED E, F AND H, PLEASE REFER TO TABLE 1, SHEET 1.
 - APPLICATION SPECIFICATION: 850830010 PSA.
 - FLEXIBLE MOULDED LANYARD BETWEEN PART HALVES, MAY BE REMOVED.
 - CONDUIT INTERFACE SHOULD ONLY BE USED WITH APPROPRIATE CONDUIT. MOLEX CANNOT BE HELD RESPONSIBLE IF CABLES ARE DAMAGED DUE TO IMPROPER USE OF CONDUIT INTERFACE, OR IF A CONDUIT INTERFACE IS USED WITHOUT THE CONDUIT.
 - CONDUIT INTERFACE IS IP3X WHEN USED WITH A FULLY ASSEMBLED SRC CONNECTOR AND APPROPRIATE CONDUIT.
 - POST FEATURES FOR REINFORCEMENT AFTER CONNECTOR MOUNTING. AVOID INADVERTENTLY POSITIONING FEMALE CONNECTORS BETWEEN POSTS AND MOULDED WALL.
 - PACKAGING SPECIFICATION: 934811000 PSK.

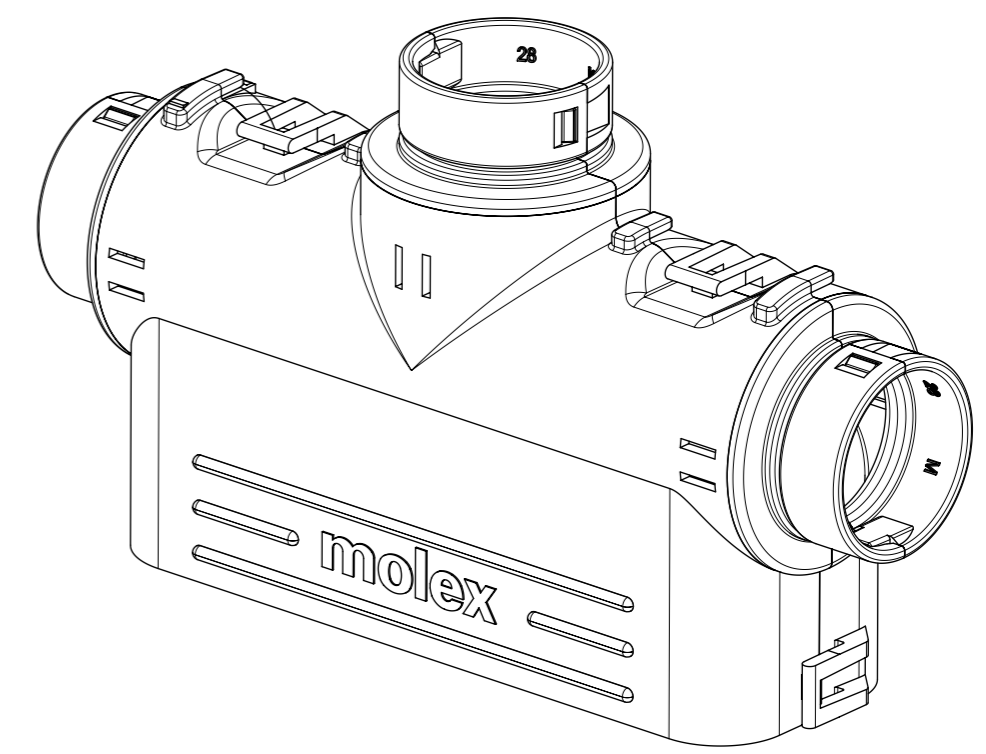
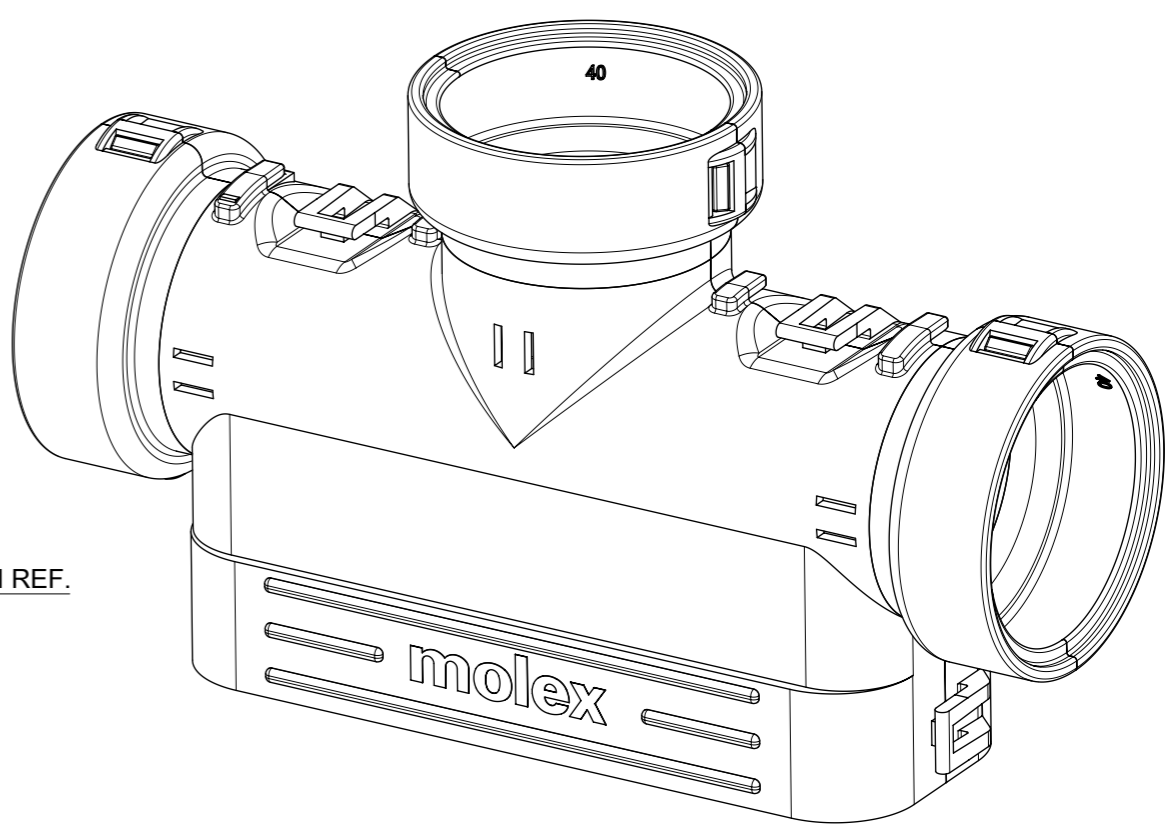
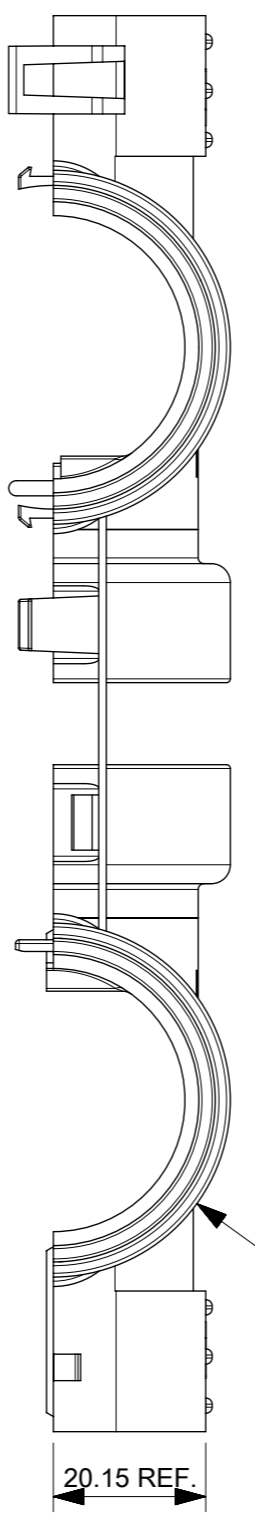
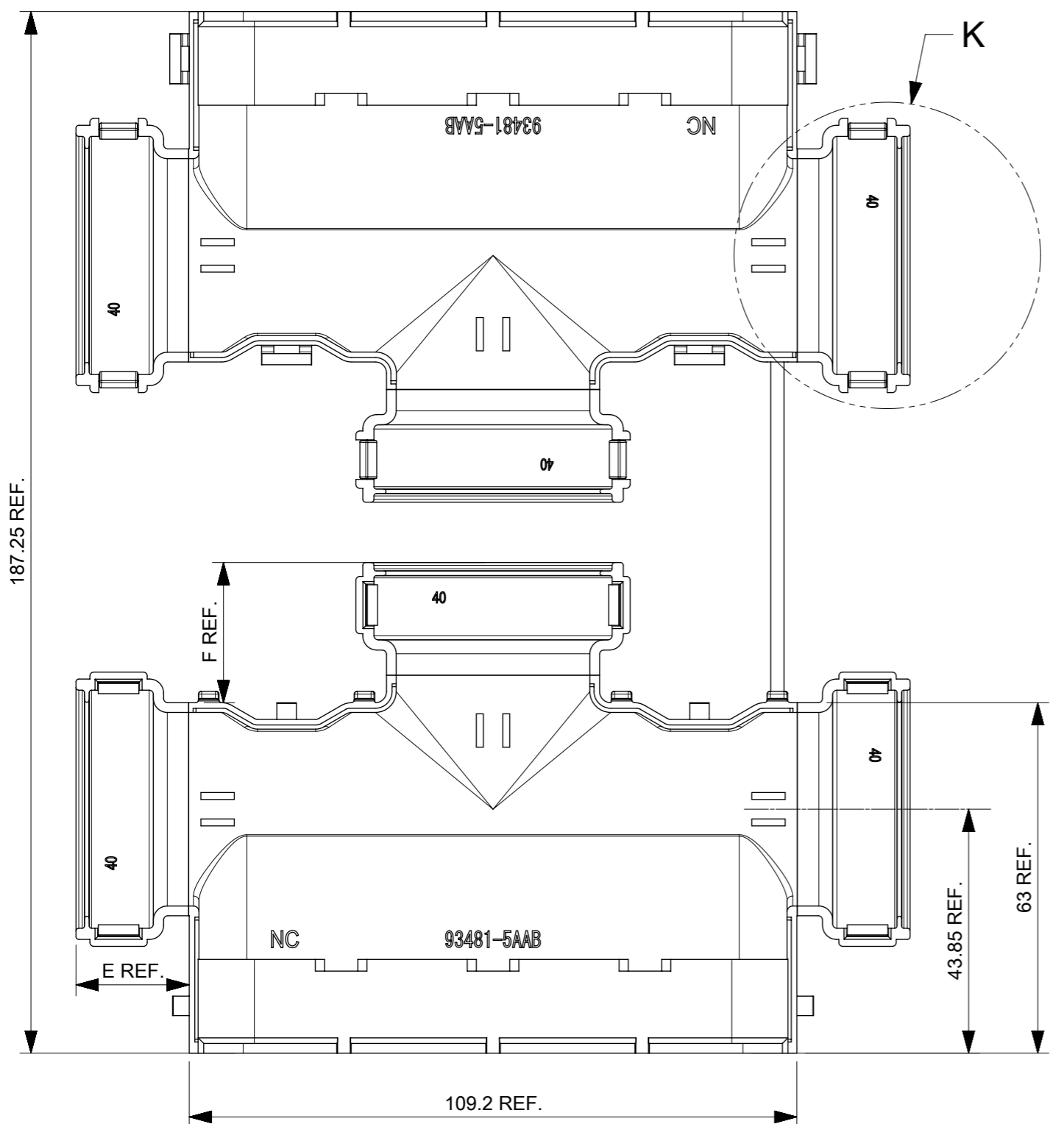


TABLE 1
ALL DIMENSIONS GIVEN IN MILLIMETRES

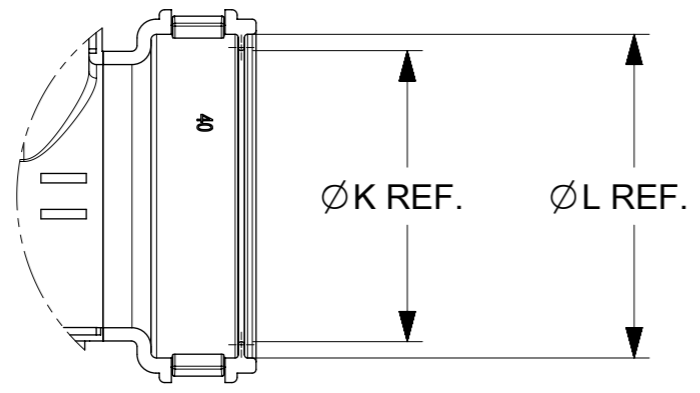
	NC28 MALE	NC28 FEMALE	NC32 FEMALE	NC40 FEMALE
E	14.7	14.6	14.6	20.35
F	19.5	19.45	19.45	25.2
H	28.2	32.1	38.3	46.8
K (SHEET 2)	N/A	25.0	31.5	38.5
L (SHEET 2)	N/A	28.6	34.8	42.8

SYMBOLS	THIS DRAWING CONTAINS INFORMATION THAT IS PROPRIETARY TO MOLEX ELECTRONIC TECHNOLOGIES, LLC AND SHOULD NOT BE USED WITHOUT WRITTEN PERMISSION	CURRENT REV DESC:	molex		
▽ = 0	DIMENSION UNITS	SCALE	SRC CONDUIT COVER		
▽ = 0	GENERAL TOLERANCES (UNLESS SPECIFIED)	1:1	PRODUCT CUSTOMER DRAWING		
▽ = 0	ANGULAR TOL ± 2.0°	EC NO: 616513	DOCUMENT NUMBER	DOC TYPE	DOC PART
▽ = 0	4 PLACES ±	DRWN: PALLEN01 2018/07/05	934811000	PSD	000
▽ = 0	3 PLACES ±	CHK'D: JFLETCHER 2019/05/13	REVISION	B3	
▽ = 0	2 PLACES ± 0.5	APPR: IOCONNELL 2019/11/04	1 OF 3		
▽ = 0	1 PLACE ± 1.0	INITIAL REVISION:			
▽ = 0	0 PLACES ±	DRWN: AJOBRIEN 2015/04/23			
▽ = 0	DRAFT WHERE APPLICABLE MUST REMAIN WITHIN DIMENSIONS	APPR: JDWALLACE 2015/06/08			
▽ = 0	THIRD ANGLE PROJECTION	DRAWING	SERIES	MATERIAL NUMBER	CUSTOMER
▽ = 0		A3-SIZE	93481	SEE TABLE	GENERAL MARKET



LANYARD NOT SHOWN IN MATED VIEW

- NOTES:
1. MALE CONNECTOR INTERFACE AND ALL PORTS NC40 FEMALE SHOWN ON THIS SHEET.
 2. MALE INTERFACE MATES WITH MALE CONNECTOR SERIES: SEE TABLE 2, SHEET 3.
 3. FOR DIMENSIONS E, F, H, K AND L, REFER TO TABLE 1, SHEET 1.



DETAIL K
SCALE 1:1

SYMBOLS	THIS DRAWING CONTAINS INFORMATION THAT IS PROPRIETARY TO MOLEX ELECTRONIC TECHNOLOGIES, LLC AND SHOULD NOT BE USED WITHOUT WRITTEN PERMISSION		CURRENT REV DESC:			molex			
	DIMENSION UNITS	SCALE							EC NO: 616513
▽ = 0	GENERAL TOLERANCES (UNLESS SPECIFIED)	1:1	DRWN: PALLEN01	2018/07/05	PRODUCT CUSTOMER DRAWING				
▽ = 0	ANGULAR TOL ± 2.0°		CHK'D: JFLETCHER	2019/05/13	DOCUMENT NUMBER				
▽ = 0	4 PLACES ±		APPR: IOCONNELL	2019/11/04	934811000		DOC TYPE	DOC PART	REVISION
▽ = 0	3 PLACES ±		INITIAL REVISION:		PSD		000	B3	
▽ = 0	2 PLACES ± 0.5		DRWN: AJOBRIEN	2015/04/23	SEE TABLE		GENERAL MARKET		SHEET NUMBER
▽ = 0	1 PLACE ± 1.0		APPR: JDWALLACE	2015/06/08	2 OF 3				
▽ = 0	0 PLACES ±		DRAFT WHERE APPLICABLE MUST REMAIN WITHIN DIMENSIONS	THIRD ANGLE PROJECTION	DRAWING	SERIES	MATERIAL NUMBER	CUSTOMER	SHEET NUMBER
▽ = 0				⊕	A3-SIZE	93481	SEE TABLE	GENERAL MARKET	2 OF 3

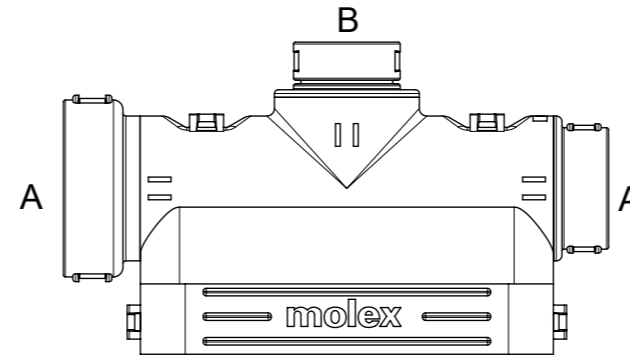
X	INTERFACE TYPE
5	MALE
0	FEMALE

SRC INTERFACE (X)
(SEE NOTES)

B
0
1
2
3
4

CENTRE OUTLET (B)

A OR B	OUTLET
0	BLANK
1	NC28 MALE
2	NC28 FEMALE
3	NC32 FEMALE
4	NC40 FEMALE



A	A
0	0
0	1
0	2
0	3
0	4
1	1
1	2
1	3
1	4
2	2
2	3
2	4
3	3
3	4
4	4

SIDE OUTLETS
(A-A)

93481-XAAB

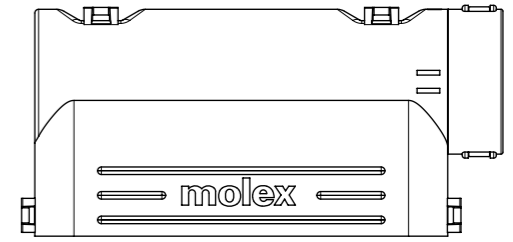
NOTES:

1. ALL OTHER NOTES AND DIMENSIONS SEE SHEET 1 & 2.
2. TABLE 2 SPECIFIES THE SRC FAMILIES THAT ARE COMPATIBLE WITH EACH OPTION OF MALE OR FEMALE INTERFACES.
3. CONDUIT COVERS MAY BE ASSEMBLED IN EITHER DIRECTION, ROTATED 180° AROUND THE CENTRE OUTLET AXIS. FOR EXAMPLE, PART NUMBER 93481-0200 IS THE SAME AS PART NUMBER 93481-0020

TABLE 2

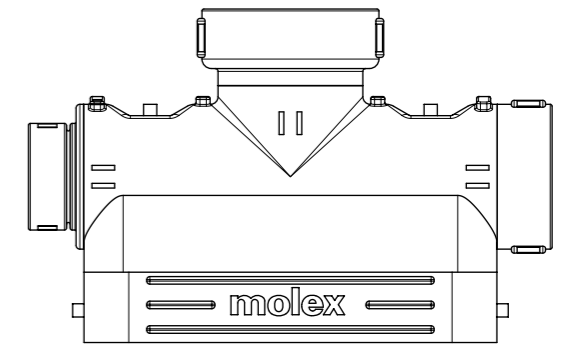
MALE	FEMALE
93792	93287
93850	93849
	85084

EXAMPLE 1



93481-0030
SRC INTERFACE: FEMALE = 0
SIDE EXIT: BLANK AND NC32 FEMALE = 03
CENTRE EXIT: BLANK = 0

EXAMPLE 2



93481-5134
SRC INTERFACE: MALE = 5
SIDE EXIT: NC28 MALE AND NC32 FEMALE = 13
CENTRE EXIT: NC40 = 4

OUTLET SIZE FORMAT
CONVERSION CHART

NC	NW
28	23
32	29
40	36

SYMBOLS		THIS DRAWING CONTAINS INFORMATION THAT IS PROPRIETARY TO MOLEX ELECTRONIC TECHNOLOGIES, LLC AND SHOULD NOT BE USED WITHOUT WRITTEN PERMISSION	
▽ = 0	DIMENSION UNITS	SCALE	CURRENT REV DESC:
▽ = 0		1:2	
▽ = 0	GENERAL TOLERANCES (UNLESS SPECIFIED)		
▽ = 0	ANGULAR TOL	± 2.0°	
▽ = 0	4 PLACES	±	EC NO: 616513
▽ = 0	3 PLACES	±	DRWN: PALLENO1 2018/07/05
▽ = 0	2 PLACES	± 0.5	CHK'D: JFLETCHER 2019/05/13
▽ = 0	1 PLACE	± 1.0	APPR: IOCONNELL 2019/11/04
▽ = 0	0 PLACES	±	INITIAL REVISION:
▽ = 0	DRAFT WHERE APPLICABLE MUST REMAIN WITHIN DIMENSIONS		
▽ = 0	THIRD ANGLE PROJECTION	DRAWING	SERIES
▽ = 0		A3-SIZE	93481
DOCUMENT NUMBER		CUSTOMER	SHEET NUMBER
934811000		GENERAL MARKET	3 OF 3
DOC TYPE		DOC PART	REVISION
PSD		000	B3

molex

SRC CONDUIT COVER

PRODUCT CUSTOMER DRAWING