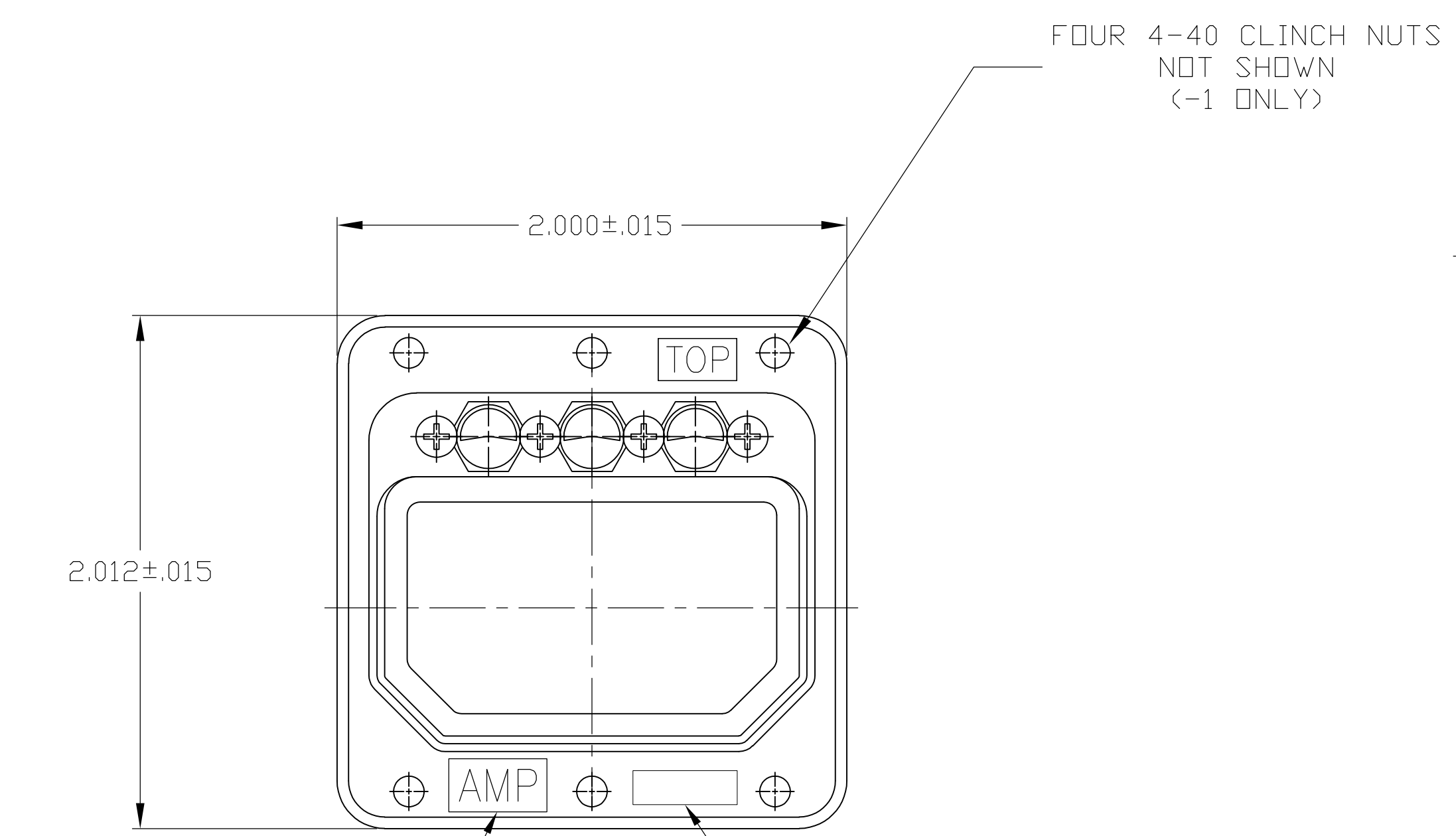


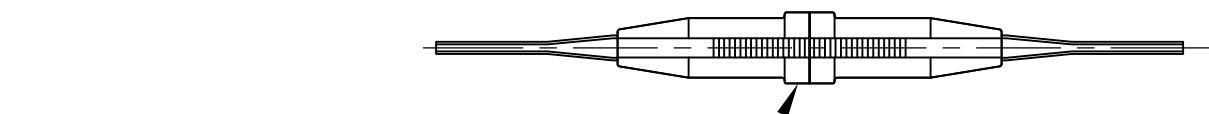
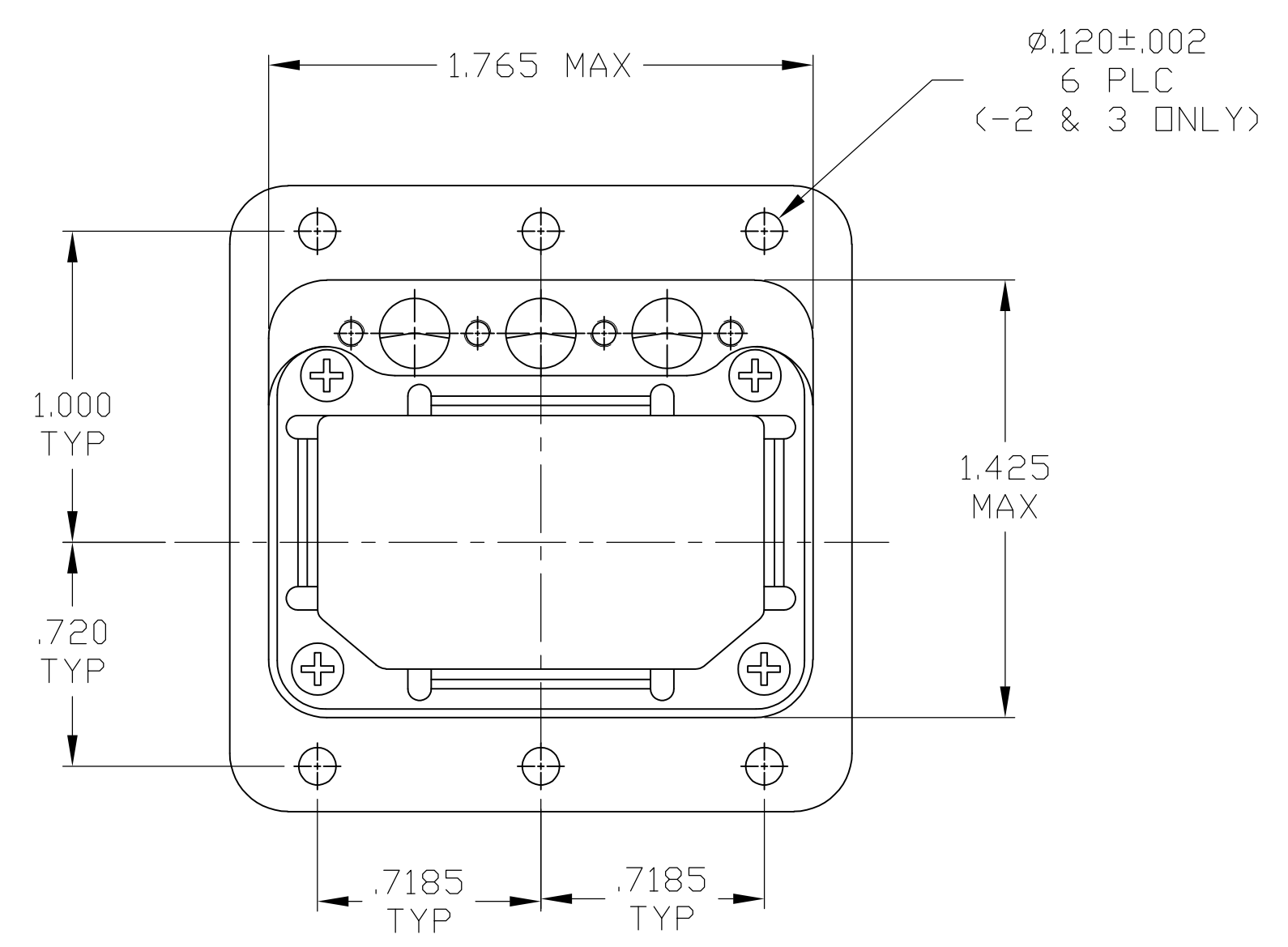
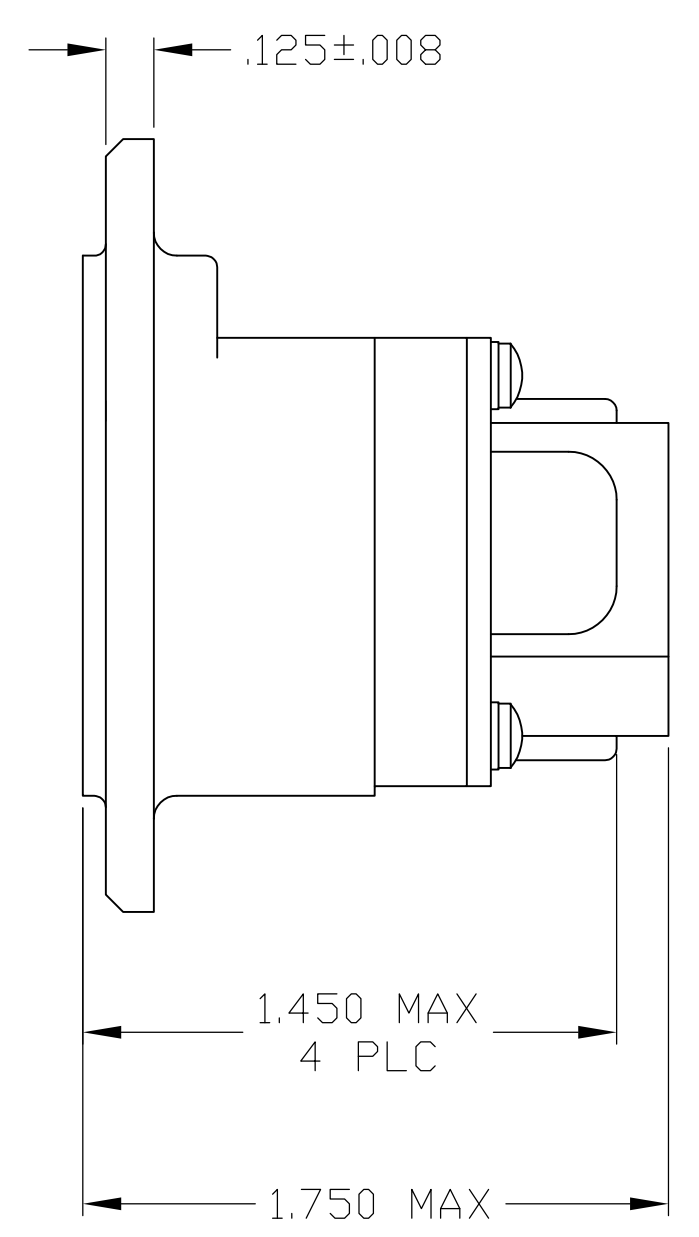
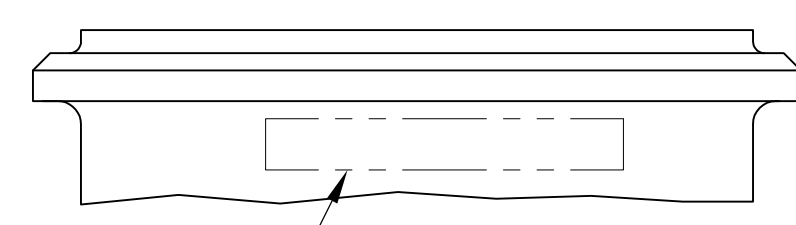
LOC		DIST		REVISIONS			
P	LTR	DESCRIPTION	DATE	DWN	APVD		
C		REV PER ECO	10-010829	6-28-10	CT	DE	



INK STAMPED LETTERS .047 MIN HIGH

DATE CODE CHARACTERS .047 MIN HIGH

TE PART NO. & DESCRIPTIVE NUMBER. MARKED IN THIS AREA



INS/EXT TOOL SUPPLIED WITH -2 & -3 ONLY

RME1R 40P - 00 01 (200)	213440-3
RME1R 33C4P - 00 01 (200)	213440-2
RME1R 8P - 01 01 (200)	213440-1
DESCRIPTIVE PART NO.	PART NO.

THIS DRAWING IS A CONTROLLED DOCUMENT.		DIN C.C.THOMAS 6-28-10		Tyco Electronics Corporation Harrisburg, PA 17105-3608																			
DIMENSIONS: INCHES		TOLERANCES UNLESS OTHERWISE SPECIFIED:		APVD D.FABY 6-28-10																			
<table border="1"> <tr><td>0 PLC</td><td>±</td><td>-</td></tr> <tr><td>1 PLC</td><td>±</td><td>-</td></tr> <tr><td>2 PLC</td><td>±</td><td>-</td></tr> <tr><td>3 PLC</td><td>±</td><td>.005</td></tr> <tr><td>4 PLC</td><td>±</td><td>.0005</td></tr> <tr><td>ANGLES</td><td>±</td><td>0°30'</td></tr> </table>		0 PLC	±	-	1 PLC	±	-	2 PLC	±	-	3 PLC	±	.005	4 PLC	±	.0005	ANGLES	±	0°30'	NAME		RECEPTACLE CONNECTOR KIT SINGLE INSERT, ARINC 404 RME1R SERIES	
0 PLC	±	-																					
1 PLC	±	-																					
2 PLC	±	-																					
3 PLC	±	.005																					
4 PLC	±	.0005																					
ANGLES	±	0°30'																					
MATERIAL SEE TABLE		FINISH SEE TABLE		WEIGHT																			
		SIZE		A1 00779 C=213440																			
		CUSTOMER DRAWING		SCALE 2:1 SHEET 1 OF 1 REV C																			