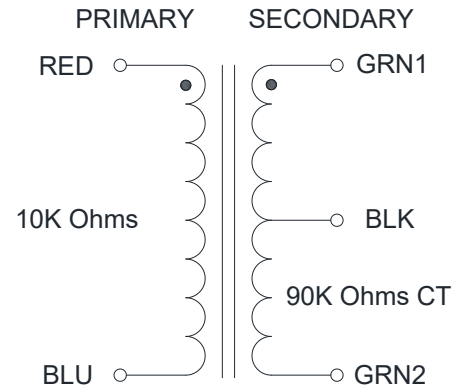



124 Series
Tube Driver – Interstage Transformer

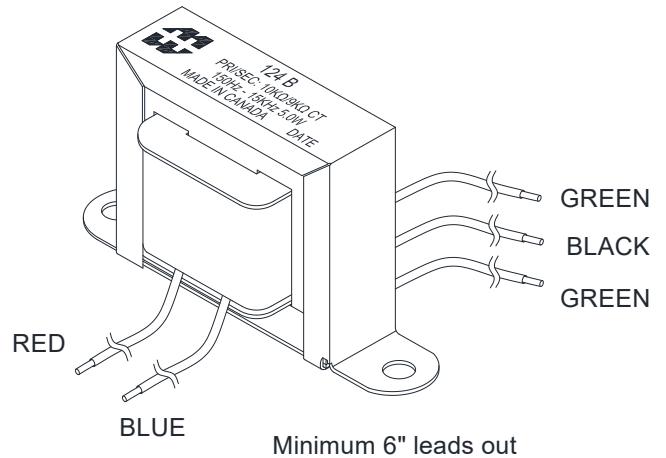
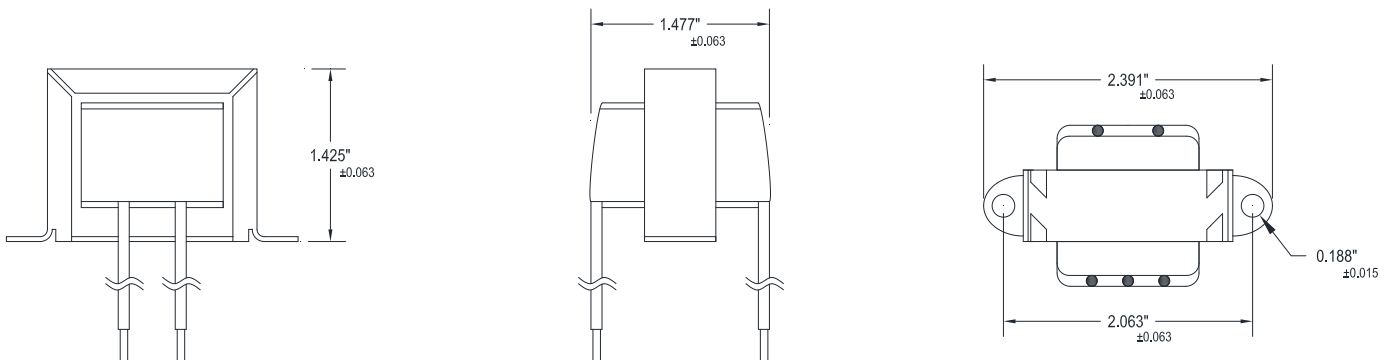
124B

Features:

- Designed for general purpose or replacement use in push-pull or phase inverter tube driver circuits.
- Frequency response 150Hz-15KHz (+1/-3dB) @1KHz reference.
- Unit has no gap for DC bias current present in SE mode. Not recommended for single ended applications.
- Open style with minimum 6" long leads out.
- 49% Nickel laminations for greater fidelity compared to 124A with grain-oriented steel.
- Available in coil-only configuration for enthusiasts' own choice of lamination (model 124C)
- Weight: 5.9 oz.

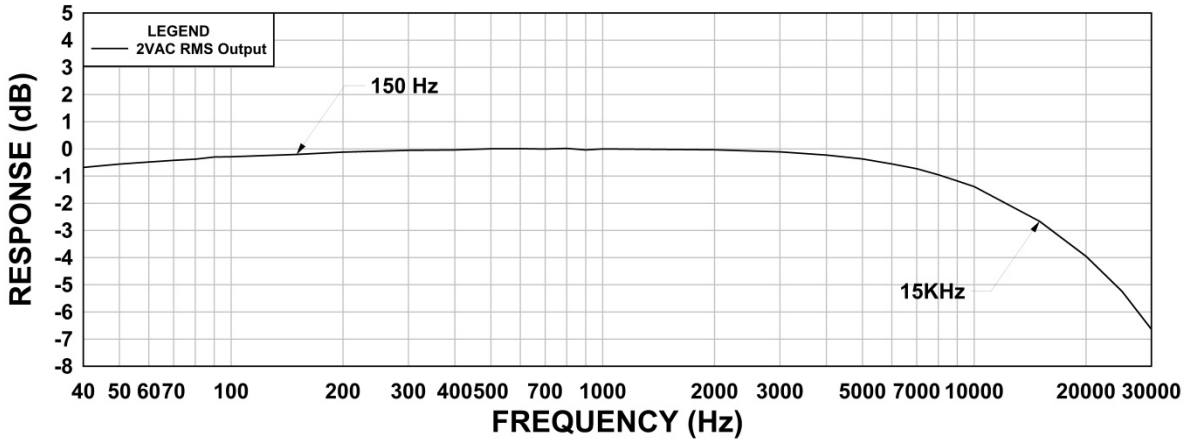
SCHEMATIC

ELECTRICAL SPECIFICATIONS

| Characteristics | Typical |
|-------------------------------|----------------------|
| Input Impedance | 10K Ohms |
| Output Impedance | 90 KOhms CT |
| Output Power | 5W |
| DCR RED-BLUE | 405 Ohms ±20% |
| DCR GRN1-GRN2 | 1525 Ohms ±20% |
| Dielectric Strength | 500V RMS |
| Temperature Range | up to 105 degC |
| Inductance Impedance | @ 150 Hz, 2.0 V OC |
| PRI RED-BLUE | 65.38H 71.46 KOhms |
| Leakage Inductance | @ 150 Hz, 2.0 V SC |
| PRI RED-BLUE | 37.4mH |

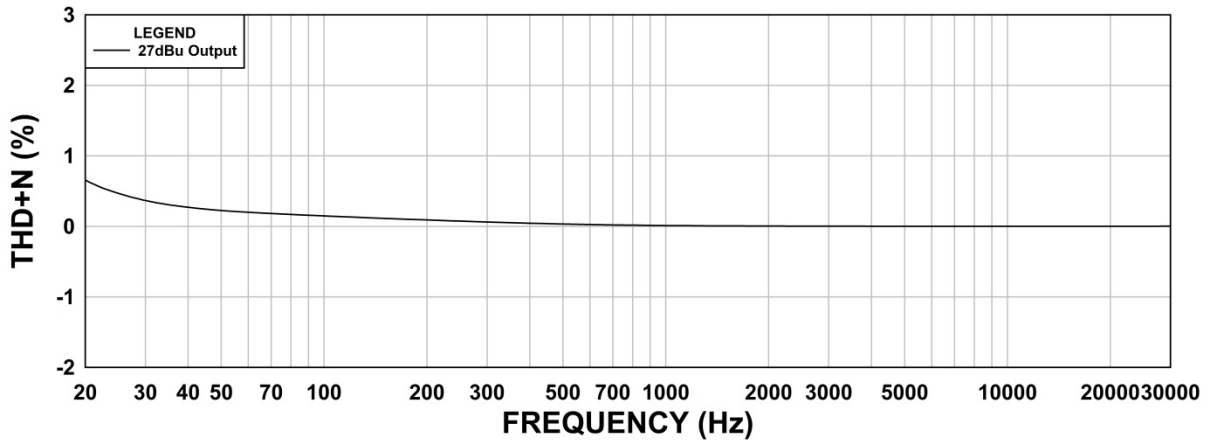

DIMENSIONAL DETAILS:


PERFORMANCE GRAPHS:

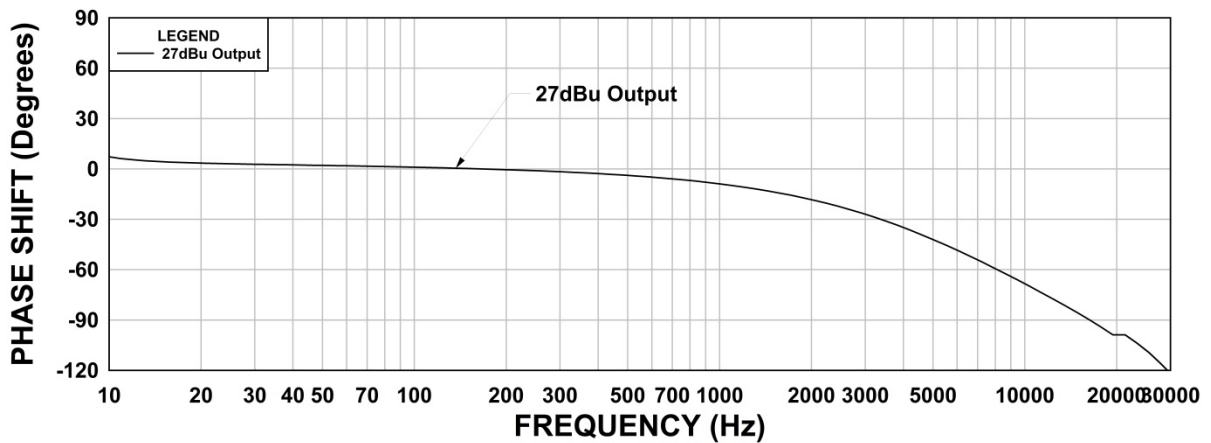
124B Frequency Response
RS = 10KOhms RL = 90KOhms @ 1KHz Reference



124B THD+N
RS = 10KOhms RL = 90KOhms @ 1KHz Reference



124B Phase Shift
RS = 10KOhms RL = 90KOhms @ 1KHz Reference



MEASUREMENT INSTRUMENTS

- dScope Series III Audio Analyzer (THD+N & Phase Shift Graphs)
- Wayne Kerr 3255B with a 3265B Inductance Analyzer
- Voltech AT5600 Wound Component Tester (Frequency Response Graph)
- HP 4192a LF Impedance Analyzer
- Keithley 2010 DVM

**The results are typical and are subject to normal manufacturing and electrical tolerances.

TEST CONDITIONS

