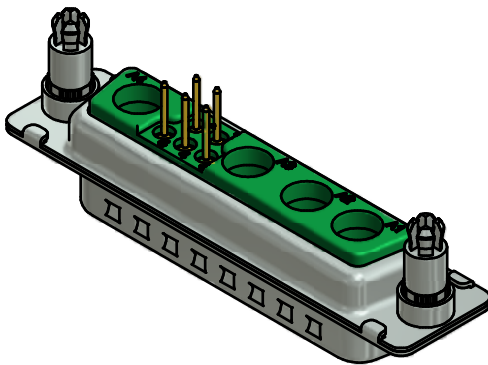
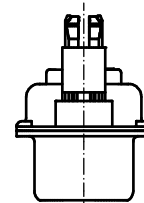
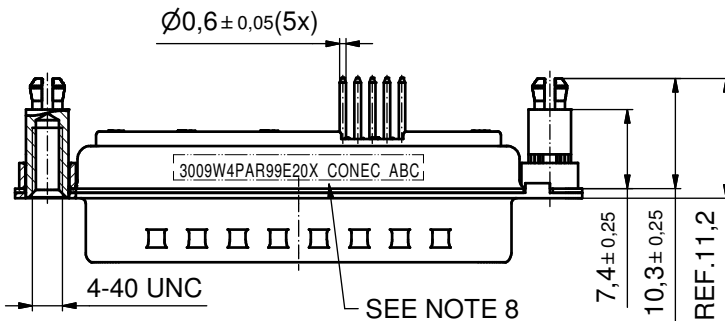
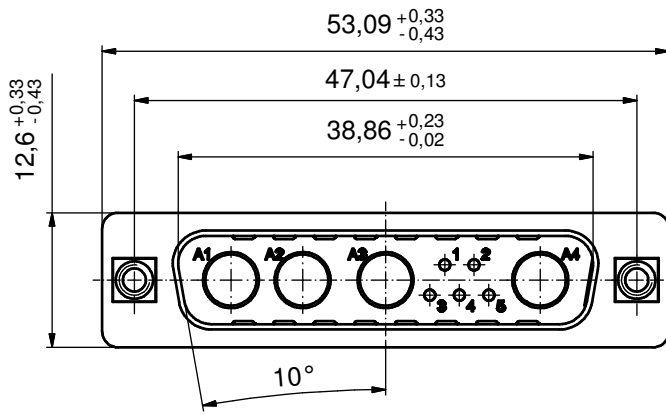
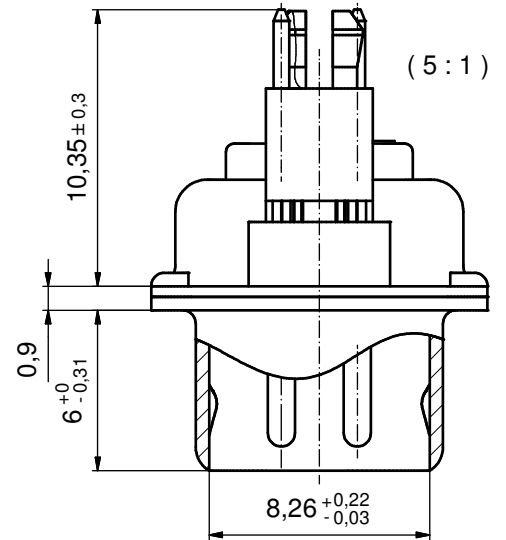
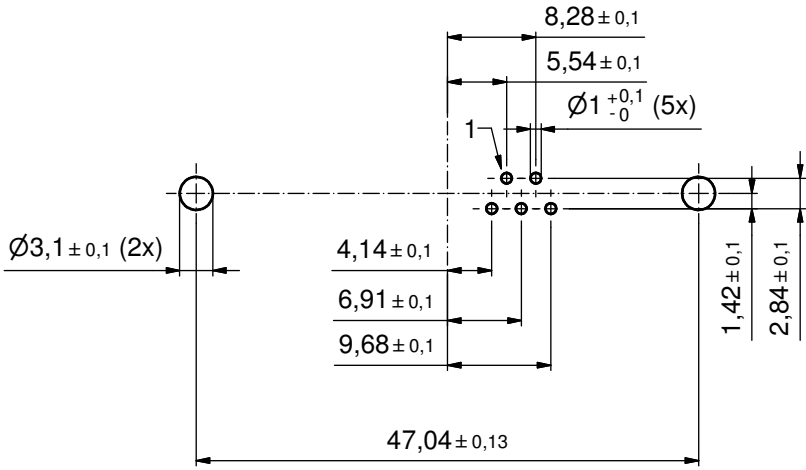


P.C.B. HOLE DRILLINGS
(P.C.B. TOP SIDE)



NOTES:

- METALSHELLS: STEEL; min. 315µin TIN over 40-80µin NICKEL
- INSULATOR: PBT GF UL 94 V-0, GREEN
- SIGNAL CONTACTS: COPPER ALLOY
PLATING: GOLD FLASH over NICKEL
- NO CONTACTS ON POS. A1 - A4
- THREADED SPACER CLIPS: COPPER ALLOY; min. 200µin TIN over 80µin NICKEL
PCB-HOLE: $\varnothing 3.1 \pm 0.1$; PCB THICKNESS 1,6mm
- COLLARS: COPPER ALLOY; min. 200µin TIN over 80µin NICKEL
- MAXIMUM TORQUE VALUE FOR THREAD: 6 in.LB
- CONNECTOR IS PART MARKED: 3009W4PAR99E20X CONEC ABC

Directive 2002/95/EC RoHS compliant

| | | | | | | |
|--|-------------|-------|-----------|------------|------------------|--|
| THIS DRAWING MAY NOT BE COPIED OR REPRODUCED IN ANY WAY, AND MAY NOT BE PASSED ON TO A THIRD PARTY WITHOUT WRITTEN PERMISSION. OWNERSHIP AND COPYRIGHT OF CONEC GmbH DO NOT ALTER CAD DRAWING BY HAND | | | tolerance | dim. in mm | scale: 2:1 (5:1) | |
| | | | date | | name | material: SEE NOTES |
| | | | drawn | 14.10.11 | Henneboel | title: D-SUB COMBINATION MALE 9W4P with threaded spacer clip |
| | | | appd. | 14.10.11 | Koch | |
| | | | norm | | | |
| | | d-old | | | dwg no: | |
| a | Original | | | | 13K1A3791 | DIN-A3 |
| rev. | description | | | date | name | part no: |