



## PAF500F

24V & 48V Input Full Brick DC-DC Converters

- 12V output for driving non-isolated converters
- Safety Approved
- Up to 80A output current (48V models)
- Full power at 100°C baseplate
- Opto Isolated Remote On / Off
- Wide Adjustable Output Range

### Key Market Segments & Applications

Central Office:	ATM, Sonet, DSL, ISDN, Frame relay
Broadband:	Switching Equipment, Routers
Wireless/Cellular:	Micro Cells (larger in size/10 sq. mi.) Pico Cells (smaller in size/1 to 2 sq. mi.)
Remote Electronics:	Fixed Local Loop, Fiber Optic Transmission, Microwave Transmission, Wireless Local Loop
Customer Premise:	PBX, PABX, Datacomm, Voice Systems, Video Conferencing

### PAF500F Features and Benefits

#### Features

- Wide adjustment range
- Parallel Pin
- ASIC Design
- No potting materials

#### Benefits

- Reduces need for custom modules
- Modules can be connected together for higher current
- Reduced component count, increased MTBF
- Lower weight

### Specifications

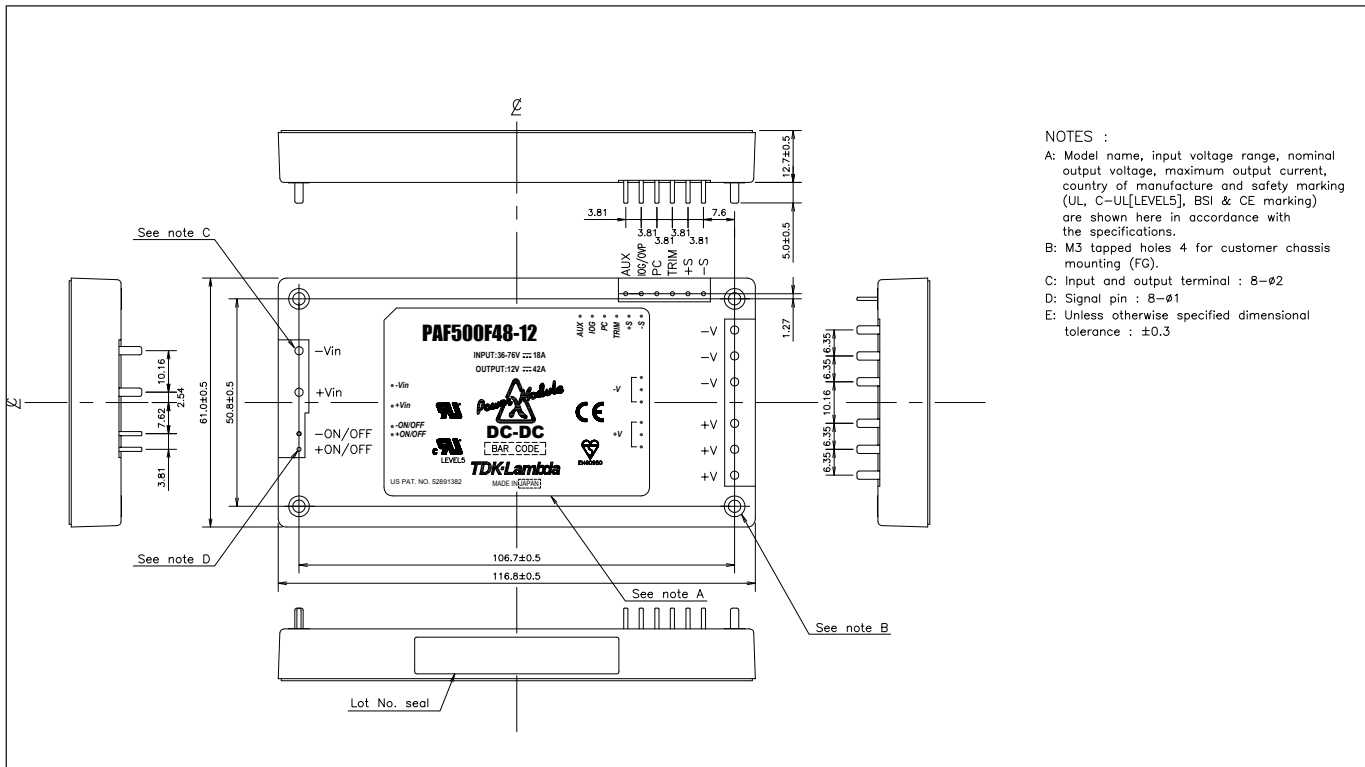
MODEL		PAF500F48-3.3	PAF500F48-5	PAF500F24-12 PAF500F48-12	PAF500F24-28 PAF500F48-28
ITEMS					
Nominal Output Voltage	VDC	3.3	5	12	28
Output Current (Max)	A	80	80	42	18
Max Output Power	W	264	400	504	504
Efficiency (Typ)	%	78	83	89	90
Input Voltage range	VDC	36-76		19-36 or 36-76	18-36 or 36-76
Input Current (Typ) (24V/48V) A	7.3	10.4	24 / 12.2	23.8 / 12.1	
Output Voltage Accuracy	%	±1			
Output Voltage Adjustment	VDC	2 - 4	3 - 6	7.2 - 13.2	16.8 - 30.8
Max Ripple & Noise	mV	100	100	200	280
Max Line Regulation	mV	10	10	24	56
Max Load Regulation	mV	10	10	24	56
Overcurrent Protection	%	105 - 140%			
Overvoltage Protection	%	130-160	125-145	115-135	115-135
Signals & Control	-	Remote sense, remote On/Off, Parallel Pin, DC Good (12, 28V models), Adjustable OVP (3.3, 5V models), 7-10V Auxiliary voltage			
Operating Temperature	-	-40°C to +100°C baseplate			
Cooling	-	Conduction (See Installation Manual for heatsink selection)			
Isolation Voltage	VDC	Input - Baseplate 1500V, Input - Output 1500V, Output-Baseplate 500V			
Shock	-	196.1m/s <sup>2</sup>			
Vibration	-	Non Operating, 10-55Hz (sweep for 1 min.)			
Amplitude	-	0.825mm constant (Max 49m/s <sup>2</sup> ) X, Y, Z 1 hour each			
Safety Agency Approvals	-	IEC/UL/CSA/EN62368-1, 60950-1, CE Mark			
Weight (Typ)	g	250			
Size (WxHxD)	in(mm)	2.4x0.5x4.6 (61x12.7x116.8) See outline drawing			
Warranty	-	2 years			

**Notes:** See Installation Manual for full details, test methods of parameters and application notes.

Pinout	
Pin Description	Function
-Vin	Negative Input Terminal
+Vin	Positive Input Terminal
- ON/OFF	Remote On/Off negative terminal
+ON/OFF	Remote On/Off positive terminal
+V	Positive Output Terminal
-V	Negative Output Terminal
AUX	7-10V Aux voltage
IOG/OVP	DC Good / OVP adjustment
PC	Parallel control connection
TRIM	Output adjustment Trim pin
+S	Positive Remote sense
-S	Negative Remote sense

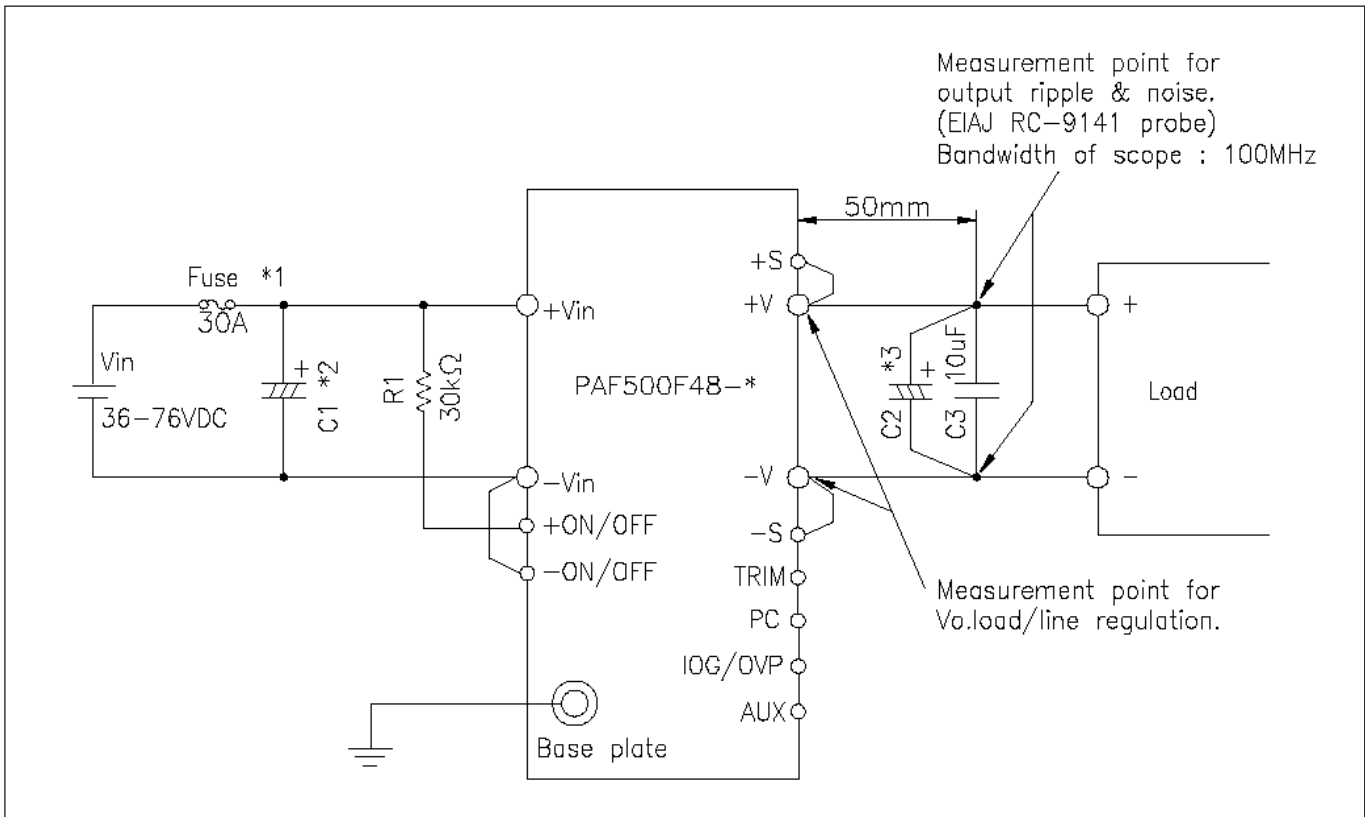
Options	
Suffix	Description
Blank	
/T	No thread in mounting holes

Outline Drawing PAF500F



Heatsink Table		
Heatsink	Size (mm)	Thermal Resistance
HAF-10L	116.8 x 25.4 x 61	2.2°C/W
HAF-15L	116.8 x 38.1 x 61	1.9°C/W
HAF-15T	116.8 x 38.1 x 61	1.5°C/W

## Connection Example



For full data and drawings please visit [www.emea.tdk-lambda.com/www/paf](http://www.emea.tdk-lambda.com/www/paf)



## TDK-Lambda France SAS

Tel: +33 1 60 12 71 65  
tlf.fr.powersolutions@tdk.com  
www.emea.lambda.tdk.com/fr



## Italy Sales Office

Tel: +39 02 61 29 38 63  
tlf.it.powersolutions@tdk.com  
www.emea.lambda.tdk.com/it



## Netherlands

tlf.nl.powersolutions@tdk.com  
www.emea.lambda.tdk.com/nl



## TDK-Lambda Germany GmbH

Tel: +49 7841 666 0  
tlg.powersolutions@tdk.com  
www.emea.lambda.tdk.com/de



## Austria Sales Office

Tel: +43 2256 655 84  
tlg.at.powersolutions@tdk.com  
www.emea.lambda.tdk.com/at



## Switzerland Sales Office

Tel: +41 44 850 53 53  
tlg.ch.powersolutions@tdk.com  
www.emea.lambda.tdk.com/ch



## Nordic Sales Office

Tel: +45 8853 8086  
tlg.dk.powersolutions@tdk.com  
www.emea.lambda.tdk.com/dk



## TDK-Lambda UK Ltd.

Tel: +44 (0) 12 71 85 66 66  
tlu.powersolutions@tdk.com  
www.emea.lambda.tdk.com/uk



## TDK-Lambda Ltd.

Tel: +9 723 902 4333  
tli.powersolutions@tdk.com  
www.emea.lambda.tdk.com/il-en



## TDK-Lambda Americas

Tel: +1 800-LAMBDA-4 or 1-800-526-2324  
tla.powersolutions@tdk.com  
www.us.lambda.tdk.com



## TDK Electronics do Brasil Ltda

Tel: +55 11 3289-9599  
sales.br@tdk-electronics.tdk.com  
www.tdk-electronics.tdk.com/en



## TDK-Lambda Corporation

Tel: +81-3-6778-1113  
www.jp.lambda.tdk.com



## TDK-Lambda (China) Electronics Co. Ltd.

Tel: +86 21 6485-0777  
tlc.powersolutions@tdk.com  
www.lambda.tdk.com.cn



## TDK-Lambda Singapore Pte Ltd.

Tel: +65 6251 7211  
tfs.marketing@tdk.com  
www.sg.lambda.tdk.com



## TDK India Private Limited, Power Supply Division

Tel: +91 80 4039-0660  
mathew.philip@tdk.com  
www.sg.lambda.tdk.com

