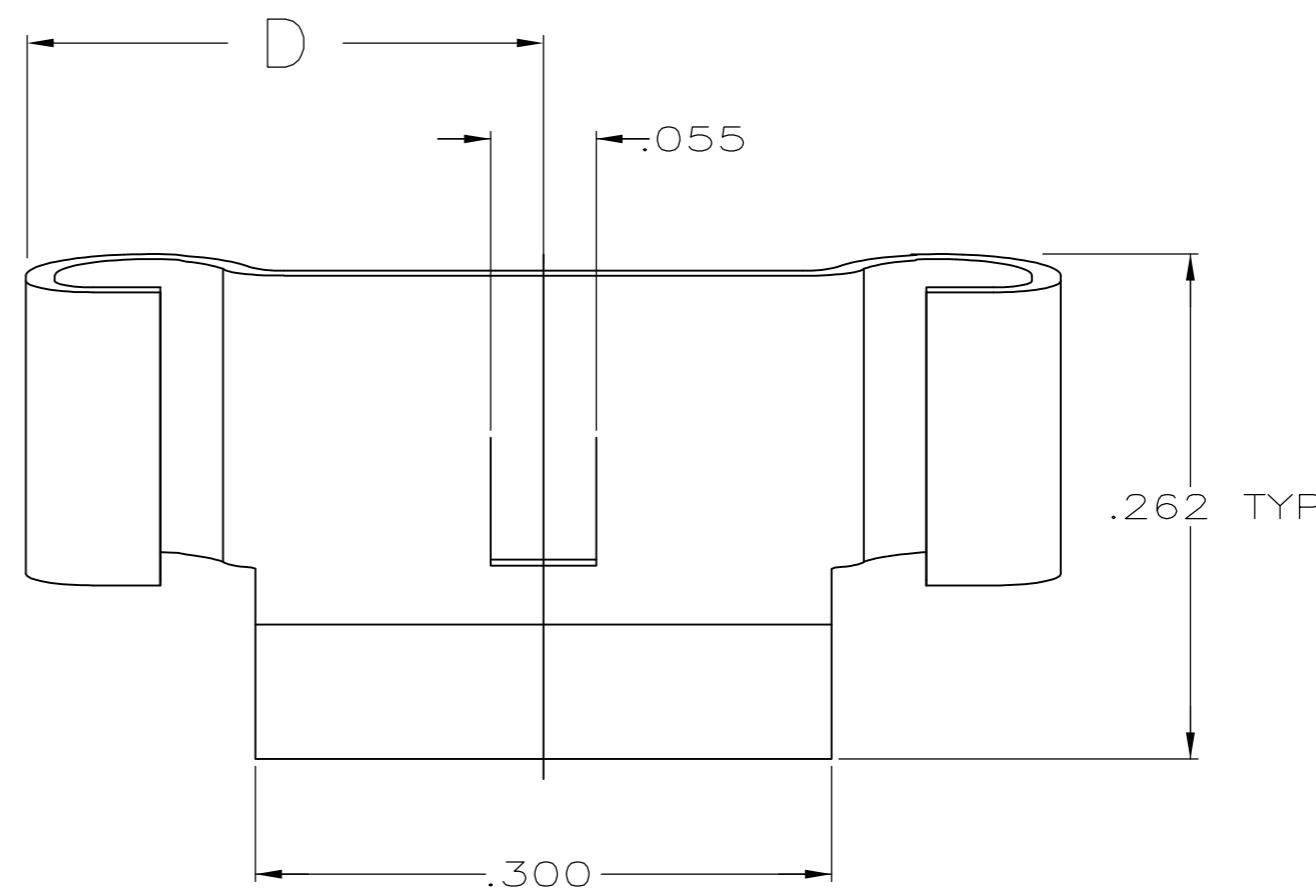
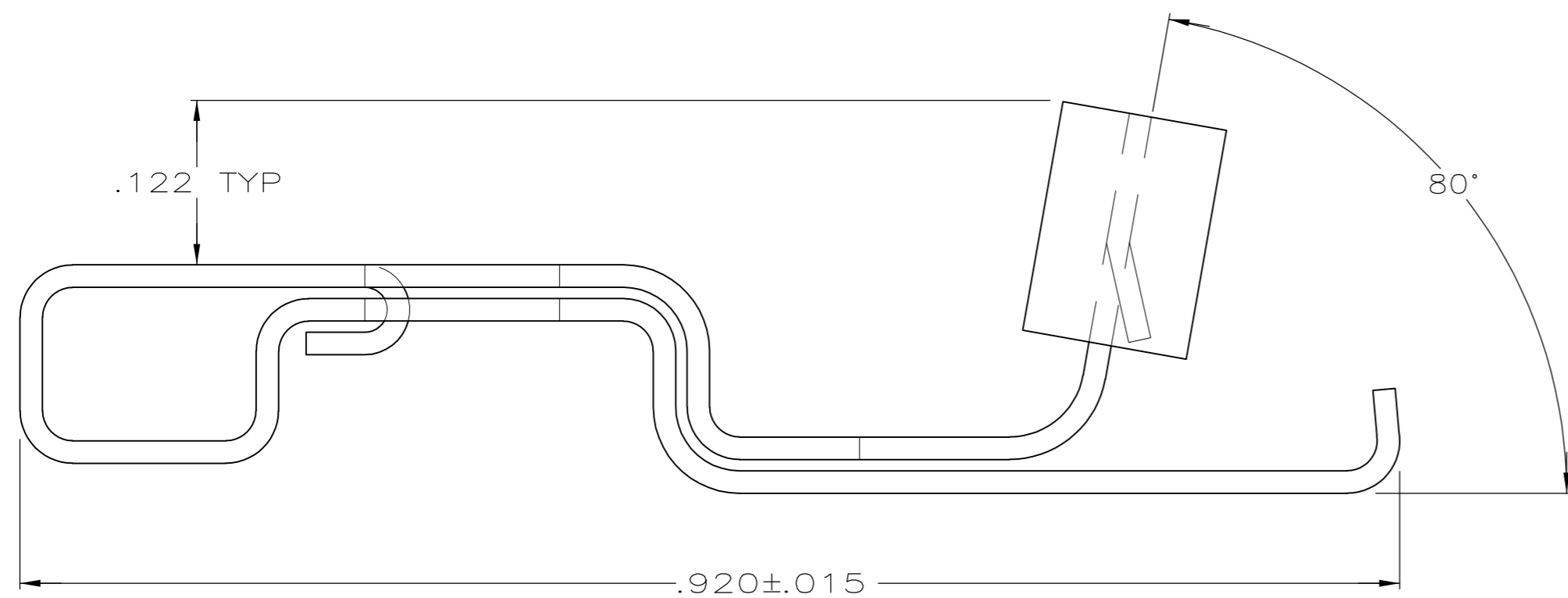
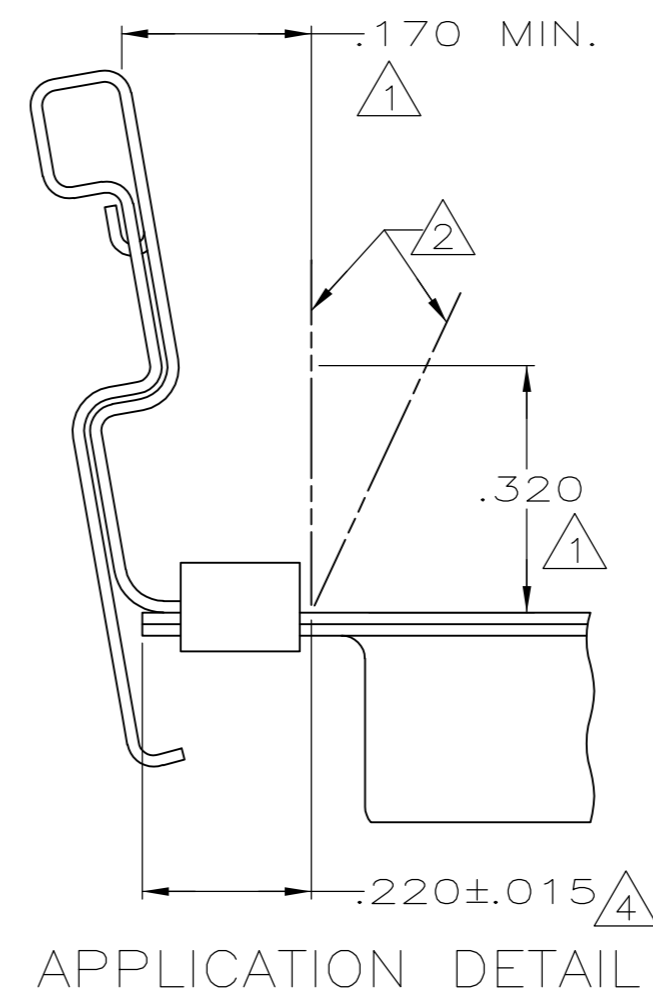
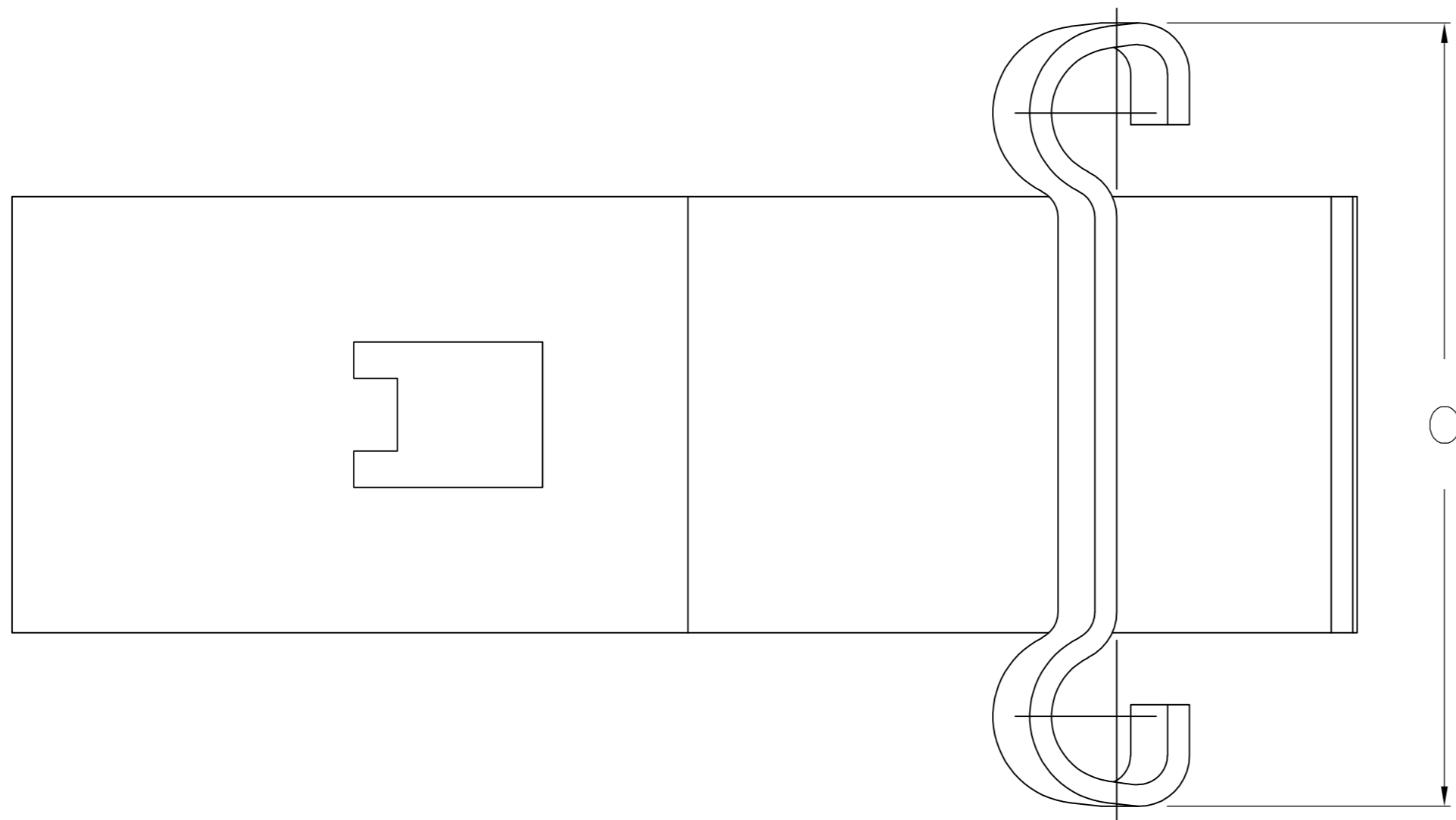


THIS DRAWING IS UNPUBLISHED. RELEASED FOR PUBLICATION
 © COPYRIGHT - By - ALL RIGHTS RESERVED.

LOC		DIST		REVISIONS			
P	LTR	DESCRIPTION		DATE	DWN	APVD	
BD	48	F1	REVISED PER ECO-11-004835		11MAR11	RK	HMR



- 1 FOR SATISFACTORY OPERATION THESE DIMENSIONS MUST BE MAINTAINED, .170 DIMENSION SHOULD BE MEASURED AT HEIGHT OF .320 MIN.
- 2 SPRING LATCH ACCOUNTS FOR DESIGN VARIATIONS IN THE ENVELOPE OF POST MOLDED STRAIN RELIEFS.
- 3 WHEN ORDERING SPRING LATCHES SPECIFY NUMBER OF CONNECTORS, QUANTITY SHIPPED WILL BE BASED ON 2 SPRING LATCHES REQUIRED PER CONNECTOR.
- 4 MEASURED FROM END OF CONNECTOR FLANGE TO END OF TAB ON SPRING LATCH.

OBSOLETE	.325	.650	BULK 3	745779-6
	.325	.650	2 PIECE UNIT	745779-5
	.270	.540	BULK 3	745779-3
	.270	.540	2 PIECE UNIT	745779-2
	D	C	KIT PACKAGING	PART NO

THIS DRAWING IS A CONTROLLED DOCUMENT.		DWN	J.GERACE	02-24-83	 TE Connectivity
DIMENSIONS: INCHES		CHK	J.GERACE	02-24-83	
TOLERANCES UNLESS OTHERWISE SPECIFIED:		APVD	R.LEGGETT	02-24-83	
0 PLC ± - 1 PLC ± - 2 PLC ± - 3 PLC ± .010 4 PLC ± - ANGLES ± 3°		PRODUCT SPEC	NAME		
MATERIAL: STAINLESS STEEL		FINISH	-		SPRING LATCH, 2 PIECE, AMPLIMITE™ SIZE: A2 CAGE CODE: 00779 C=745779
CUSTOMER DRAWING		WEIGHT	-		DRAWING NO: 00779 C=745779 RESTRICTED TO: -
		SCALE	10:1		SHEET: 1 of 1 REV: F1