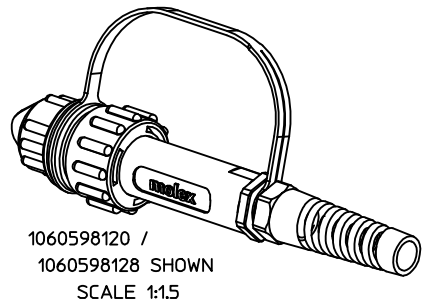
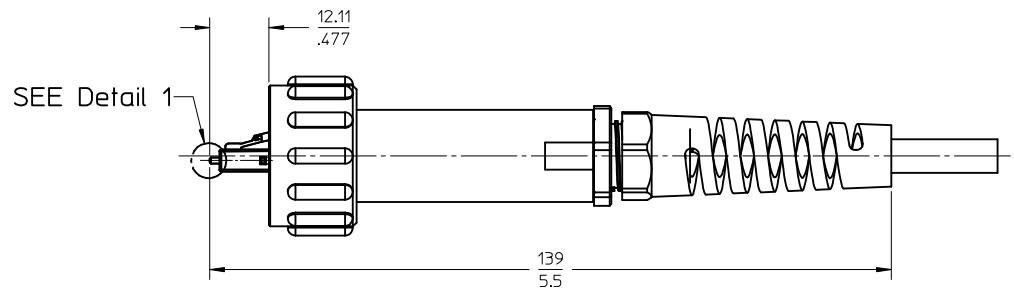
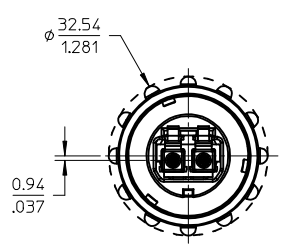
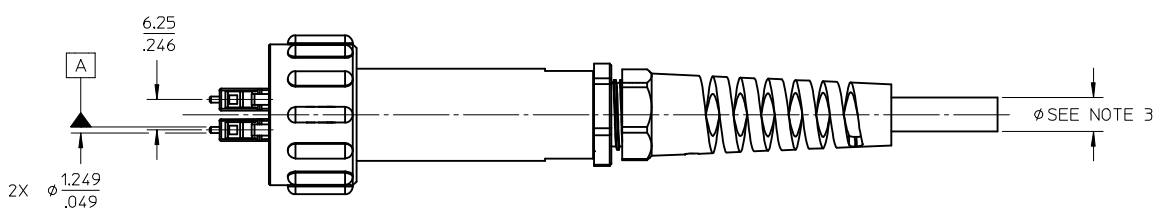
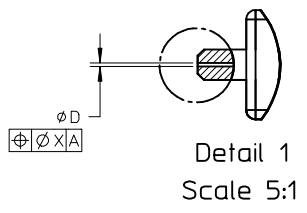
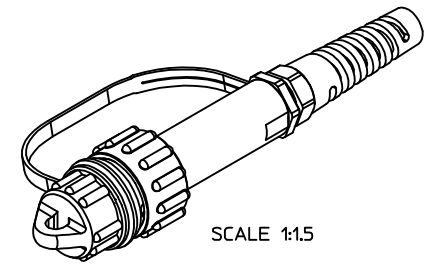
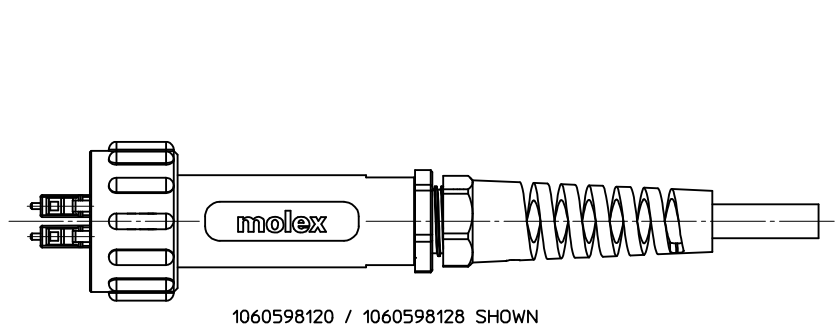


PART NUMBER	CABLE TYPE	ØD (µm)	ØX (µm)	LOGO
1060598100	MULTIMODE	127 +3/-0	3	NO
1060598108	SINGLE MODE	125.5 +0.5/-0	0.5	
1060598116	N/A	N/A	N/A	
1060598120	MULTIMODE	127 +3/-0	3	YES
1060598128	SINGLE MODE	125.5 +0.5/-0	0.5	
1060598117	N/A	N/A	N/A	



- NOTES:
- DIMENSIONS ARE FOR REFERENCE ONLY.
 - DUST CAP AND TETHER SHOWN IN ISO VIEWS ONLY.
 - CONNECTOR SUPPORTS CABLES FROM 4 TO 8mm IN DIAMETER.
 - 1060598100 / 1060598108 SHOWN UNLESS OTHERWISE NOTED.
 - 1060598116 / 1060598117 SUPPLIED WITHOUT LC CONNECTORS.

ENTER DESCRIPTION EC NO: MF2013-0735 /DRWN:AECKHART 2013/05/29 /CHKD:SERNST 2013/05/31 /APPR:WCHEN 2013/06/11 B	QUALITY SYMBOLS ▽=0 ▽=0 ▽=0	GENERAL TOLERANCES (UNLESS SPECIFIED)		DIMENSION STYLE MM/IN		SCALE 1:1	DESIGN UNITS METRIC	THIRD ANGLE PROJECTION		
						DRAWN BY DATE AECKHART 2013/05/29		INDUSTRIAL LC CONNECTOR PLASTIC BODY		
						CHECKED BY DATE SERNST 2013/05/31				
						APPROVED BY DATE WCHEN 2013/06/11		molex		
		ANGULAR ±---°		MATERIAL NO. SEE TABLE		DOCUMENT NO. SD-106059-8100		SHEET NO. 1 OF 1		