



## MTP01 programmable touch panel RD Part number 88970452



- Compact touch panel 3" STN monochrome with very high visibility
- 3 colour backlight: green, orange, red
- Graphic resolution 128 x 64 pixels - 6 lines of 12 characters
- Text, data, graphic display
- Processing of recipes
- Direct communication via the Millenium 3 programming port
- Programmable with user-friendly MTPWIN software (compatible with Windows 2000/XP/Vista), with rapid transfer by RS232C cable

	Type	Designation
88970452	RD	User kit (MPT01, fixing brackets, connector, MTP-M3 cable) *
88970454	RD	MTPWIN programming pack (CD, PC-MTP01 RS232C cable)

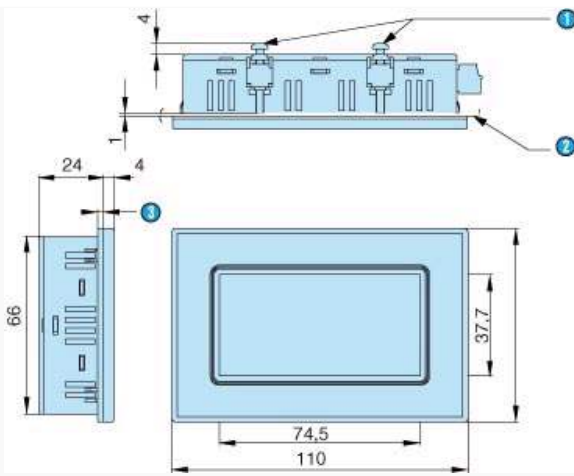
Environmental characteristics	
Certifications	UL, cUL
Conformity to standards	EN 61000-6-2, EN 61000-6-4
Operating temperature	0 →+50°C
Storage temperature	-20 →+60°C
Relative humidity	20 →85% (operation) 10 →85% (storage)
Protection rating	IP65 - Dust and droplets Front panel seal watertight as standard Can be replaced using sealing kit 88970449
Vibration resistance	10-55 Hz (1 min cycle) Double amplitude 0.75 mm, 10 min in each of the X, Y, Z axes
Shock resistance	98 m/s <sup>2</sup> min 4 times in each of the X, Y, Z axes
Electrical characteristics	
Supply voltage	24 V DC Internal insulation via transformer
Voltage limits	21.6 →26.4 V DC
Consumption	≤ 2 W
Mechanical characteristics	
Dimensions (l x h x w)	110 x 72 x 24 mm Useful screen area 70.38 x 35.18 mm
Panel cut-out	105 x 67 mm Panel thickness 1 →5 mm
Mounting	Flush-mounted, fixing by 2 yoke screws (supplied) for 1 to 5 mm panel
Connection	Removable 8-pin screw terminal block (supplied)
Max. Tightening torque (Nm)	0,22 →0,3 Nm
Connection capacity	AWG 28-16
Weight (g)	± 160
Display characteristics	
Description	LCD monochrome 3" STN - Resolution 128 x 64 pixels 6 lines of 12 characters Backlighting in 3 colours: green, orange, red 384 Kb memory capacity (program & recipe backup) Programmable with MTPWIN software Touch panel with user-definable layout 8 pixels min. Contact pressure 0.5 Nm max. Key life: 1 million operations minimum
Display details	Straight lines, continuous straight lines, squares, ovals, arcs, fan shape, bevelled squares, bitmaps
Functions	Messages, indicators, buttons, data, bar charts, clocks, keypads, line graphs and alarm list. Recipes, flow display, write device, language switching.
Connection	PC→MTP01 link via RS232C Millenium→MTP01 direct link using the Millenium programming port via the communication cable
Number of screens	160 approx, depending on the program size
Real-time clock	Uses the Millenium clock
Languages	English, French, German, Italian, Spanish, Japanese, Korean, simplified Chinese, traditional Chinese, Turkish.

Type	Description	Code
MA	Front panel protective membranes (pack of 10)	88970448
MA	Front panel sealing kit (pack of 10)	88970449
PA	PC: USB →DB9 (RS 232) link cable	88950105

### Comments

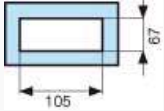
For use with 24 V DC Millenium 3 units only

### Dimension Diagram : MTP01

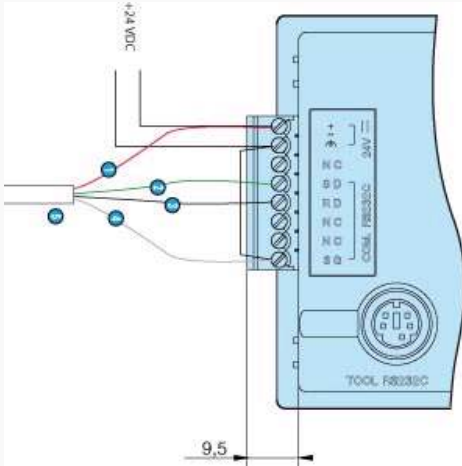


N°	Legend
1	Thickness: 5 mm
2	Panel cut-out
3	Sealing ring

Dimension Diagram : Panel cut-out



: MTP01



N°	Legend
1	Red
2	Green
3	Black
4	White
5	MTP → Millenium 3 cable