

# Type PMC-DS-04-SOS

## Panel Mount Fuse Holder

### 5 x 20 mm Fuses

### Driver / Screw



www.optifuse.com (619) 593-5050

**Electrical Rating:** 6.3A, 250V AC; 10A, 125V AC  
**Fuse Style:** 5 x 20mm

**Material:**

**Frame and Cap:** Nylon (UL flame: 94V-2)

**Terminals:** Nickel-plated brass

**Cap:** Slotted Driver type, Screw type

**Mounting:** Snap-in mounting

**Terminal:** Solder 2.8mm / 0.109"

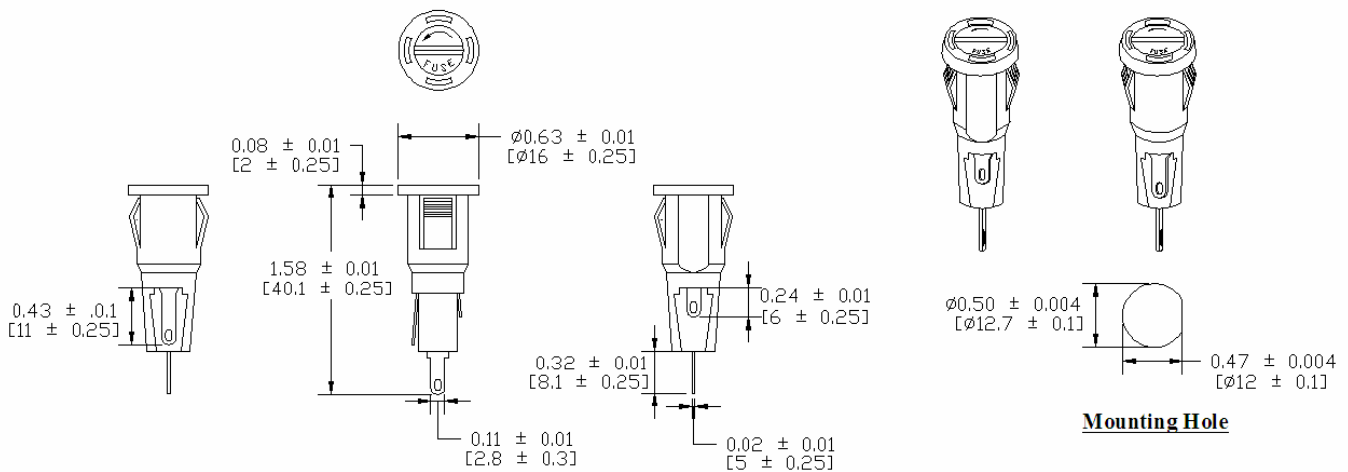
**Panel Thickness:** 0.7 ~ 3.5mm

**Agency Standards and Listings:**

UL Recognized 6.3A 250V, 10A 125V  
 VDE 6.3A 250V



**Product Dimensions: Inches [mm]**



**Mounting Hole**

**Warning:**



- Operation beyond the specified maximum ratings or improper use may result in damage and possible electrical arcing and/or flame.
- Fuse Holders are not intended for circuit disconnect. All power should be disconnected before removing fuse.
- Avoid contact of Fuse Holder with chemical solvent. Prolonged contact may damage the device performance.