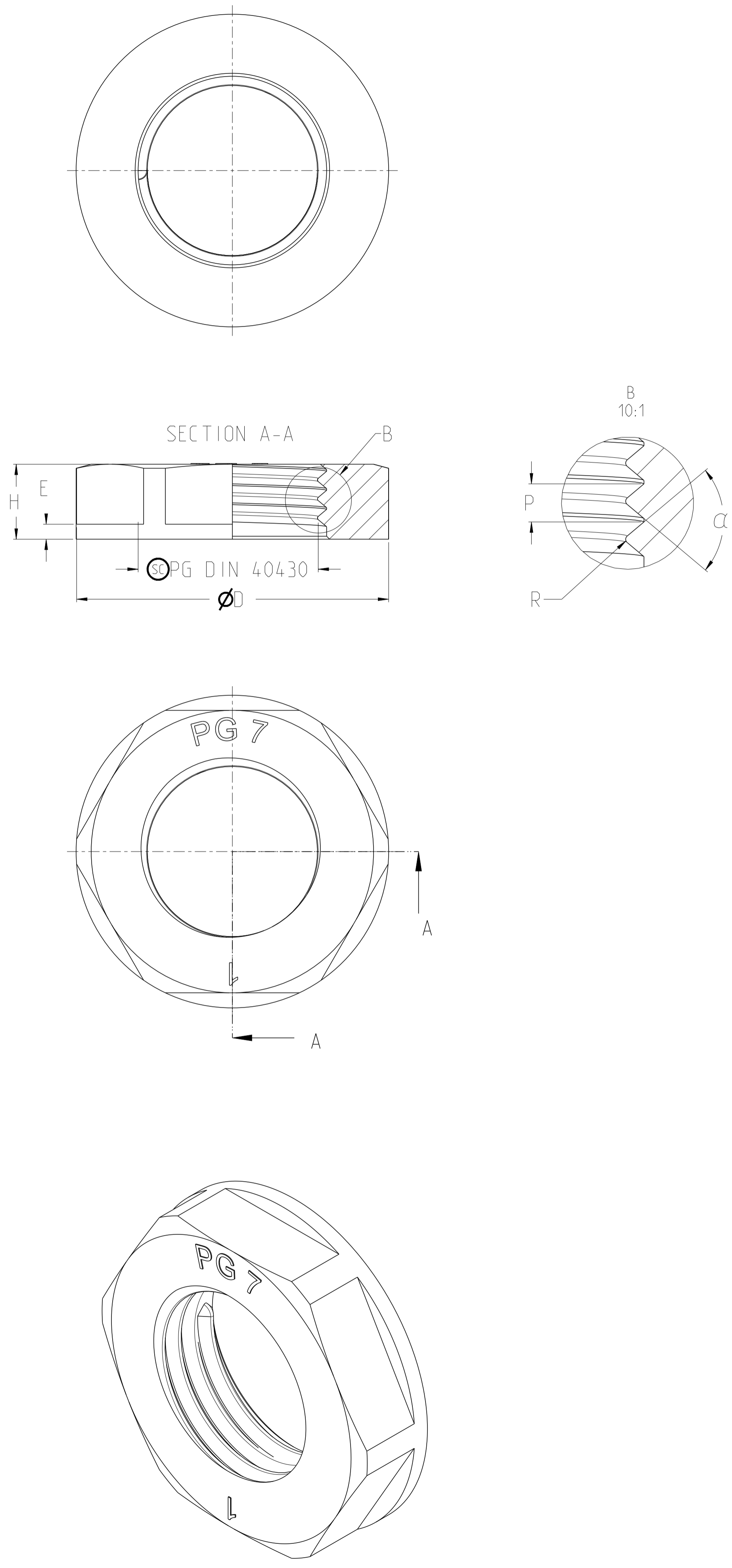


REVISIONS				
P	LTN	DESCRIPTION	DATE	APVD
A		INITIAL REVISION	16FEB2022	GN RM



TCPN	TE Product Type (Entelec)	RAL NUMBER	COLOR	SIZE	H	E	PG DIN 40430				R	α	P	ØD	SW DIN 475
							MAJOR DIA Ø		MAJOR DIA Ø						
							Min.	Max.	Min.	Max.					
1SNG607040R0000	EP-LN-PG7-LGR-A	7035	L.Grey	PG 7	5.0	1.0	12.5	12.65	11.28	11.43	0.14	80°	1.27	21	19
1SNG607041R0000	EP-LN-PG7-GR-A	7001	Grey	PG 7	5.0	1.0	12.5	12.65	11.28	11.43	0.14	80°	1.27	21	19
1SNG607042R0000	EP-LN-PG7-BL-A	9005	Black	PG 7	5.0	1.0	12.5	12.65	11.28	11.43	0.14	80°	1.27	21	19
1SNG607043R0000	EP-LN-PG9-LGR-A	7035	L.Grey	PG 9	5.0	1.2	15.2	15.35	13.86	14.01	0.15	80°	1.41	24	22
1SNG607044R0000	EP-LN-PG9-GR-A	7001	Grey	PG 9	5.0	1.2	15.2	15.35	13.86	14.01	0.15	80°	1.41	24	22
1SNG607045R0000	EP-LN-PG9-BL-A	9005	Black	PG 9	5.0	1.2	15.2	15.35	13.86	14.01	0.15	80°	1.41	24	22
1SNG607046R0000	EP-LN-PG11-LGR-A	7035	L.Grey	PG 11	5.0	1.3	18.6	18.75	17.26	17.41	0.15	80°	1.41	26	24
1SNG607047R0000	EP-LN-PG11-GR-A	7001	Grey	PG 11	5.0	1.3	18.6	18.75	17.26	17.41	0.15	80°	1.41	26	24
1SNG607048R0000	EP-LN-PG11-BL-A	9005	Black	PG 11	5.0	1.3	18.6	18.75	17.26	17.41	0.15	80°	1.41	26	24
1SNG607049R0000	EP-LN-PG135-LGR-A	7035	L.Grey	PG 13,5	6.0	1.4	20.4	20.55	19.06	19.21	0.15	80°	1.41	29	27
1SNG607050R0000	EP-LN-PG135-GR-A	7001	Grey	PG 13,5	6.0	1.4	20.4	20.55	19.06	19.21	0.15	80°	1.41	29	27
1SNG607051R0000	EP-LN-PG135-BL-A	9005	Black	PG 13,5	6.0	1.4	20.4	20.55	19.06	19.21	0.15	80°	1.41	29	27
1SNG607052R0000	EP-LN-PG16-LGR-A	7035	L.Grey	PG 16	6.0	1.6	22.5	22.65	21.16	21.31	0.15	80°	1.41	33	30
1SNG607053R0000	EP-LN-PG16-GR-A	7001	Grey	PG 16	6.0	1.6	22.5	22.65	21.16	21.31	0.15	80°	1.41	33	30
1SNG607054R0000	EP-LN-PG16-BL-A	9005	Black	PG 16	6.0	1.6	22.5	22.65	21.16	21.31	0.15	80°	1.41	33	30
1SNG607055R0000	EP-LN-PG21-LGR-A	7035	L.Grey	PG 21	7.0	2.0	28.3	28.55	26.78	27.03	0.17	80°	1.588	39	36
1SNG607056R0000	EP-LN-PG21-GR-A	7001	Grey	PG 21	7.0	2.0	28.3	28.55	26.78	27.03	0.17	80°	1.588	39	36
1SNG607057R0000	EP-LN-PG21-BL-A	9005	Black	PG 21	7.0	2.0	28.3	28.55	26.78	27.03	0.17	80°	1.588	39	36
1SNG607058R0000	EP-LN-PG29-LGR-A	7035	L.Grey	PG 29	7.0	2.0	37.0	37.25	35.48	35.73	0.17	80°	1.588	50	46
1SNG607059R0000	EP-LN-PG29-GR-A	7001	Grey	PG 29	7.0	2.0	37.0	37.25	35.48	35.73	0.17	80°	1.588	50	46
1SNG607060R0000	EP-LN-PG29-BL-A	9005	Black	PG 29	7.0	2.0	37.0	37.25	35.48	35.73	0.17	80°	1.588	50	46
1SNG607061R0000	EP-LN-PG36-LGR-A	7035	L.Grey	PG 36	8.0	2.5	47.0	47.25	45.48	45.73	0.17	80°	1.588	66	60
1SNG607062R0000	EP-LN-PG36-GR-A	7001	Grey	PG 36	8.0	2.5	47.0	47.25	45.48	45.73	0.17	80°	1.588	66	60
1SNG607063R0000	EP-LN-PG36-BL-A	9005	Black	PG 36	8.0	2.5	47.0	47.25	45.48	45.73	0.17	80°	1.588	66	60
1SNG607064R0000	EP-LN-PG42-LGR-A	7035	L.Grey	PG 42	8.0	3.0	54.0	54.25	52.48	52.73	0.17	80°	1.588	73	65
1SNG607065R0000	EP-LN-PG42-GR-A	7001	Grey	PG 42	8.0	3.0	54.0	54.25	52.48	52.73	0.17	80°	1.588	73	65
1SNG607066R0000	EP-LN-PG42-BL-A	9005	Black	PG 42	8.0	3.0	54.0	54.25	52.48	52.73	0.17	80°	1.588	73	65
1SNG607067R0000	EP-LN-PG48-LGR-A	7035	L.Grey	PG 48	8.0	2.5	59.3	59.55	57.78	58.03	0.17	80°	1.588	78	70
1SNG607068R0000	EP-LN-PG48-GR-A	7001	Grey	PG 48	8.0	2.5	59.3	59.55	57.78	58.03	0.17	80°	1.588	78	70
1SNG607069R0000	EP-LN-PG48-BL-A	9005	Black	PG 48	8.0	2.5	59.3	59.55	57.78	58.03	0.17	80°	1.588	78	70

NOTE:
 1. The code of PG48 is the exceptional of this rule , codes for this lock-nut are BL-10 (RAL7001) , BL-20 (RAL7035) , BL-30 (RAL9005).
 2. Lock nuts having BL-CN(f1) codes are manufactured with f1 listed material.

THIS DRAWING IS A CONTROLLED DOCUMENT.		16FEB2022	16FEB2022	
DWG: N_Hunashikallu		16FEB2022	16FEB2022	
DIMENSIONS: mm		TOLERANCES UNLESS OTHERWISE SPECIFIED:		NAME: PG-LOCK-NUT-PA PRODUCT SPEC: PG-LOCK-NUT-PA APPLICATION SPEC:
0 PLC ± 1 PLC ± 2 PLC ± 3 PLC ± 4 PLC ± ANGLES ±		0 PLC ± 1 PLC ± 2 PLC ± 3 PLC ± 4 PLC ± ANGLES ±		
MATERIAL: PA 6 %30 GF		FINISH: -		
WEIGHT: -		CUSTOMER DRAWING		
SIZE: A		CAGE CODE: 00779		DRAWING NO: 1SNP061320-0100 SCALE: 5:1 SHEET: 1 of 1 REV: A1