

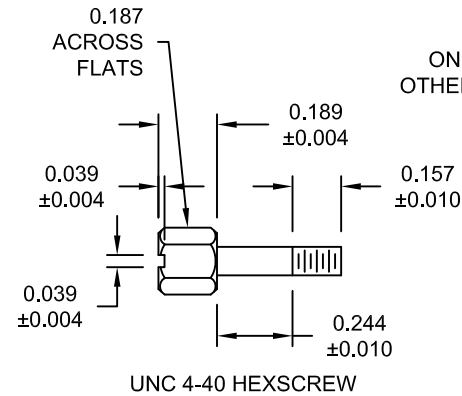
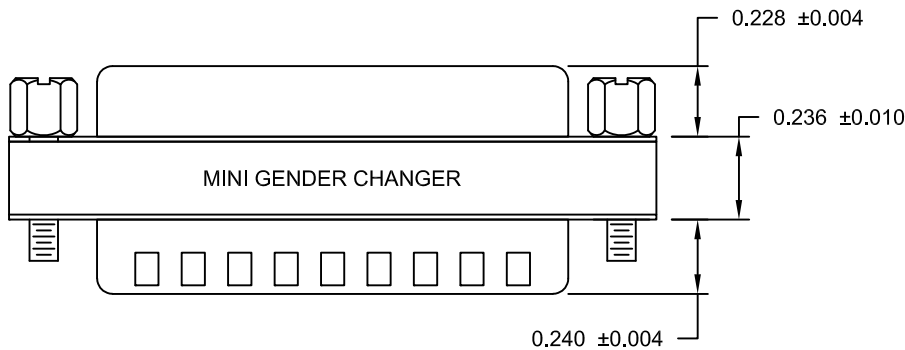
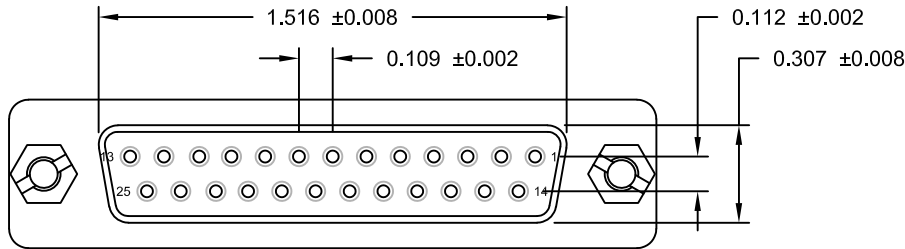
DESCRIPTION: 25-PIN MALE / FEMALE GENDER CHANGER

SPECIFICATION:

INSULATOR: PBT GLASS FIBER REINFORCED
 UL 94VO
 CONTACT: BRASS
 CONTACT PLATING: GOLD PLATED OVER NICKEL
 SHELL: TIN PLATED SHELL
 CURRENT RATING: 5 AMP
 DIELECTRIC STRENGTH: 1,000VAC FOR 1 MINUTE
 INSULATION RESISTANCE: 1,000 MegOHMS MIN @500 VDC
 TEMPERATURE: -55° C - +105° C

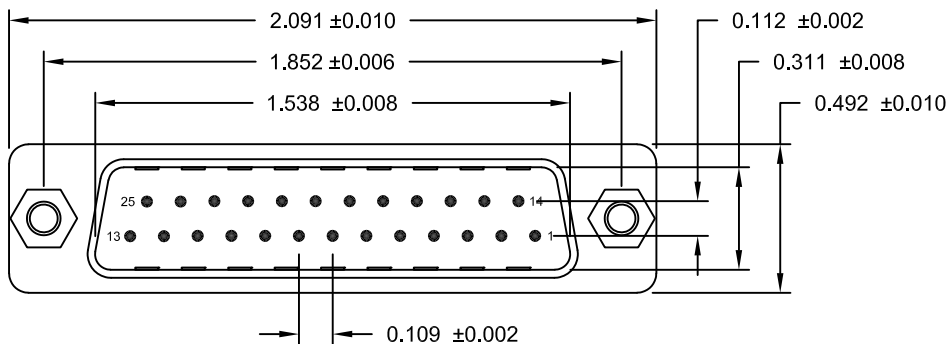
NOTE:

LABEL: YELLOW COLOR WITH
 BLACK CHARACTORS
 ONE SIDE: MINI GENDER CHANGER
 OTHER SIDE: U.S.A. PATENT 5199906



| 25-PIN MALE | | 25-PIN FEMALE |
|-------------|-------|---------------|
| 1 | ----- | 1 |
| 2 | ----- | 2 |
| 3 | ----- | 3 |
| ~ | | |
| 24 | ----- | 24 |
| 25 | ----- | 25 |
| SHELL | ----- | SHELL |

PIN OUT



DO NOT SCALE FROM DRAWING



THESE DRAWINGS AND SPECIFICATIONS ARE THE PROPERTY OF NorComp AND SHALL NOT BE REPRODUCED, COPIED OR USED AS THE BASIS FOR THE MANUFACTURE OF SALE OF APPARATUS WITHOUT WRITTEN PERMISSION.

| | | | |
|-----------------------|------------|-------------------|----------|
| DRAWN: C. SMITH | | DATE: 10-15-07 | |
| SCALE: NTS | SHEET 1 | OF 1 | REV 2 |
| DWG NO. GCLP25M25F | | | |

RoHS COMPLIANT

NorComp