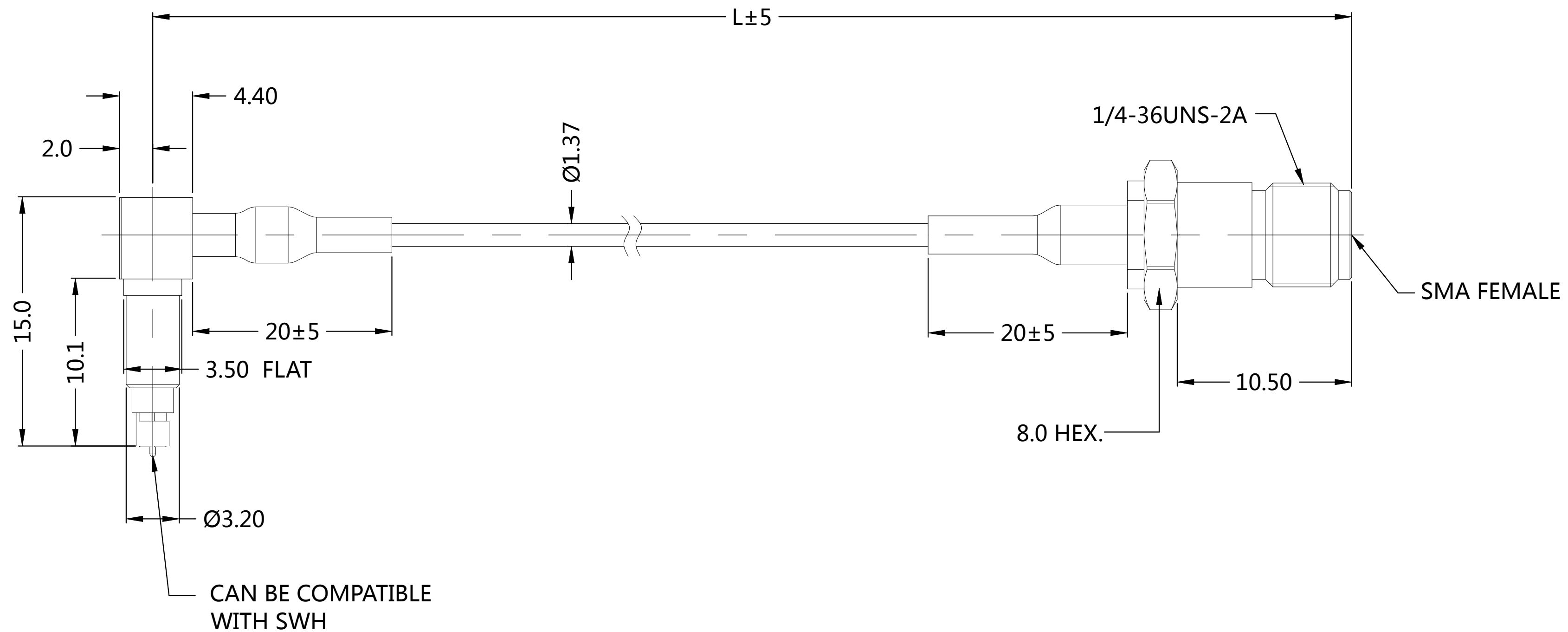


REVISIONS					
P	LTR	DESCRIPTION	DATE	DWN	APVD
A		ECN-22-152748	11MAY2022	PZ	WKH



ELECTRICAL	MECHANICAL	ENVIRONMENTAL
Impedance (Ohm): <u>50</u> Frequency Range: <u>DC to 9GHz</u> Voltage Rating (Peak) @ Sea Level <u>170 V RMS</u> Insulation Resistance (MIN.) <u>500 M ohms</u> Contact Resistance (mohms MAX) Center Contact <u>N/A</u> Outer Contact <u>N/A</u> Dielectric Withstand Voltage: <u>500 V RMS Max</u> Insertion Loss : <(1.6+a*0.4)dB (a=L/100mm) VSWR: <u>1.3 max @ DC~6GHz</u> <u>1.5 max @ 6GHz~9GHz</u>	Interface Dimension <u>SMA TO SWITCH</u> CABLE STATIC BENDING RADIUS: <u>8mm MIN.</u> Cable Retention Axial (Lbs) <u>N/A</u> Mating cycles <u>500</u> cycles (SMA) <u>200</u> cycles (SWITCH SIDE)	TEMPERATURE RANGE <u>-40 °C~+80 °C</u> ROHS <u>COMPLIANT</u>

CABLE ASSEMBLY DESCRIPTION	
2408024-1	200 mm
PART NUMBER	LENGTH

OTHER	N/A		
CABLE	1.37 CABLE		
SWITCH R/A MALE	CONTACT PIN	BERYLLIUM COPPER	PL.GOLD/NICKEL/COPPER
	INSULATOR	PTFE MIL-P-19468	N/A
	BODY	BRASS C3604	PL.GOLD/NICKEL/COPPER
SMA S/T FEMALE	CONTACT PIN	BERYLLIUM COPPER	PL.GOLD/NICKEL/COPPER
	INSULATOR	PTFE MIL-P-19468	N/A
	BODY	BRASS C3604	PL.GOLD/NICKEL/COPPER
PART TYPE	PART NAME	MATERIAL	PLATING

THIS DRAWING IS A CONTROLLED DOCUMENT.		DWN	18FEB2022		TE Connectivity		
		CHK	18FEB2022		NAME		
		APVD	18FEB2022		WENKE HE		
		PRODUCT SPEC			SWITCH MALE R/A TO SMA FEMALE S/T FOR 1.37 CABLE		
DIMENSIONS: mm		TOLERANCES UNLESS OTHERWISE SPECIFIED:		SIZE	CAGE CODE	DRAWING NO	RESTRICTED TO
		0 PLC	± -	A2	00779	C=2408024	-
		1 PLC	± 5	SCALE 1:1 SHEET 1 OF 1 REV A			
		2 PLC	± 2	CUSTOMER DRAWING			
		3 PLC	± 1				
		4 PLC	± -				
		ANGLES	± 10°				
MATERIAL		FINISH					