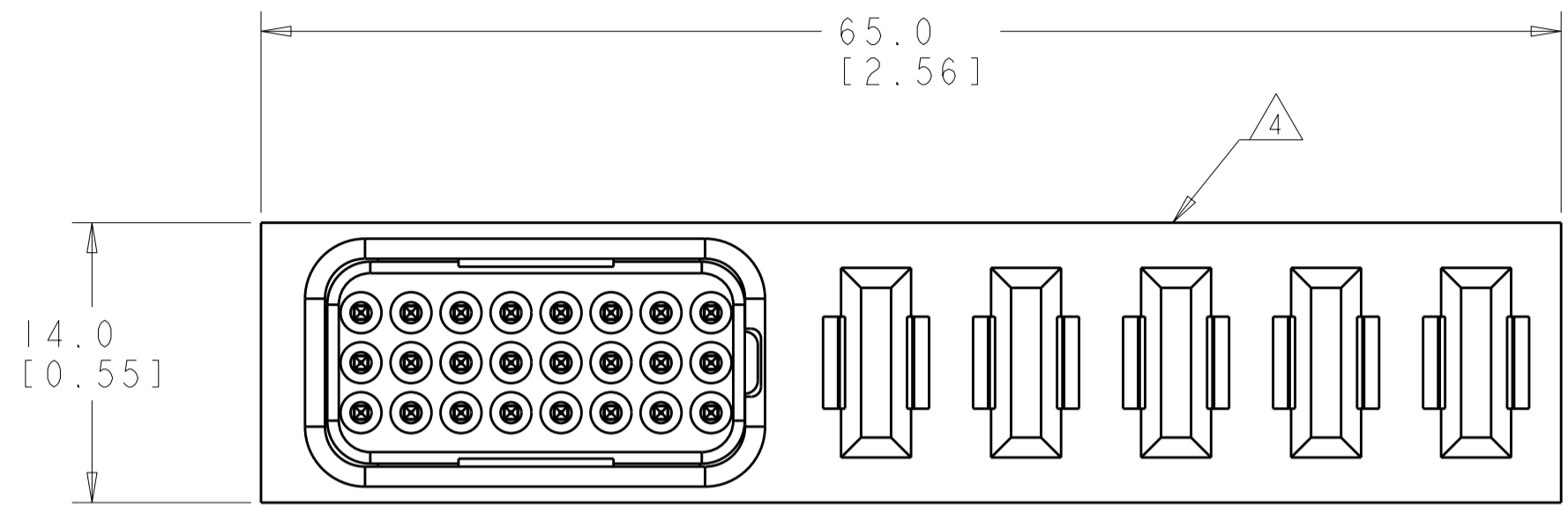


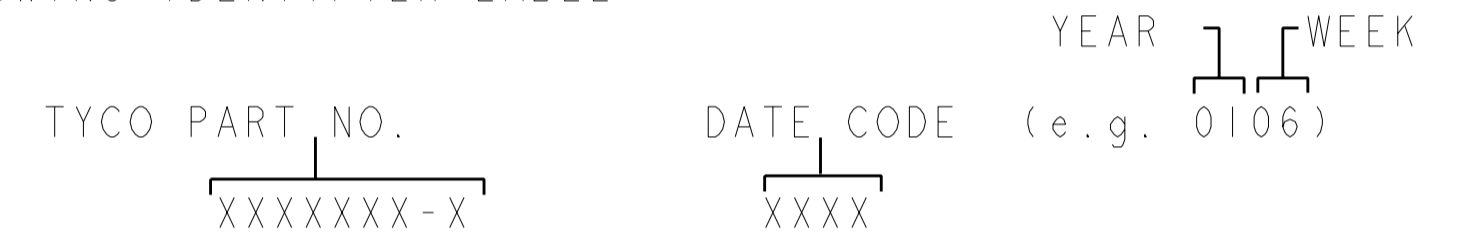
THIS DRAWING IS UNPUBLISHED. RELEASED FOR PUBLICATION 20
 © COPYRIGHT 20 BY TYCO ELECTRONICS CORPORATION. ALL RIGHTS RESERVED.

LOC	DIST	REVISIONS			
P	LTR	DESCRIPTION	DATE	DWN	APVD
GP	00	A	RELEASED	20SEP2006	RG DL
		B	REV PER ECO-11-020831	15SEP2011	RG MS

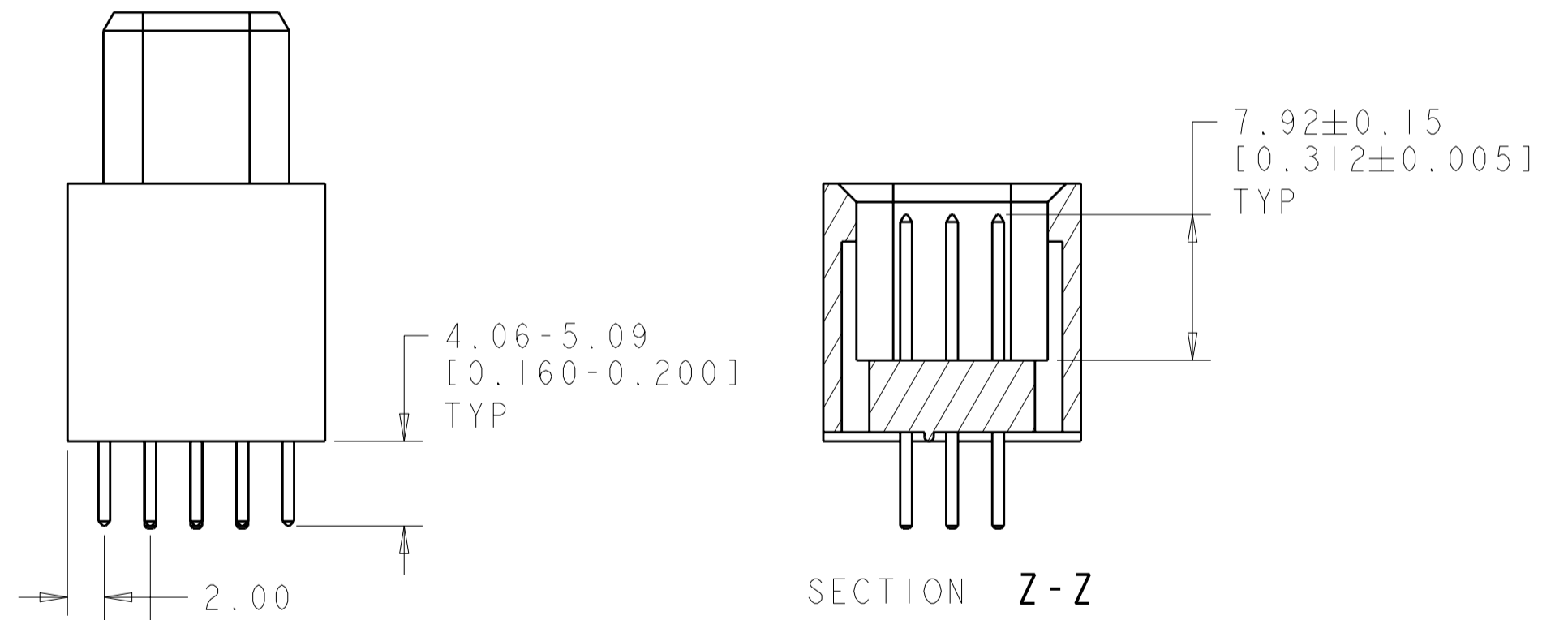
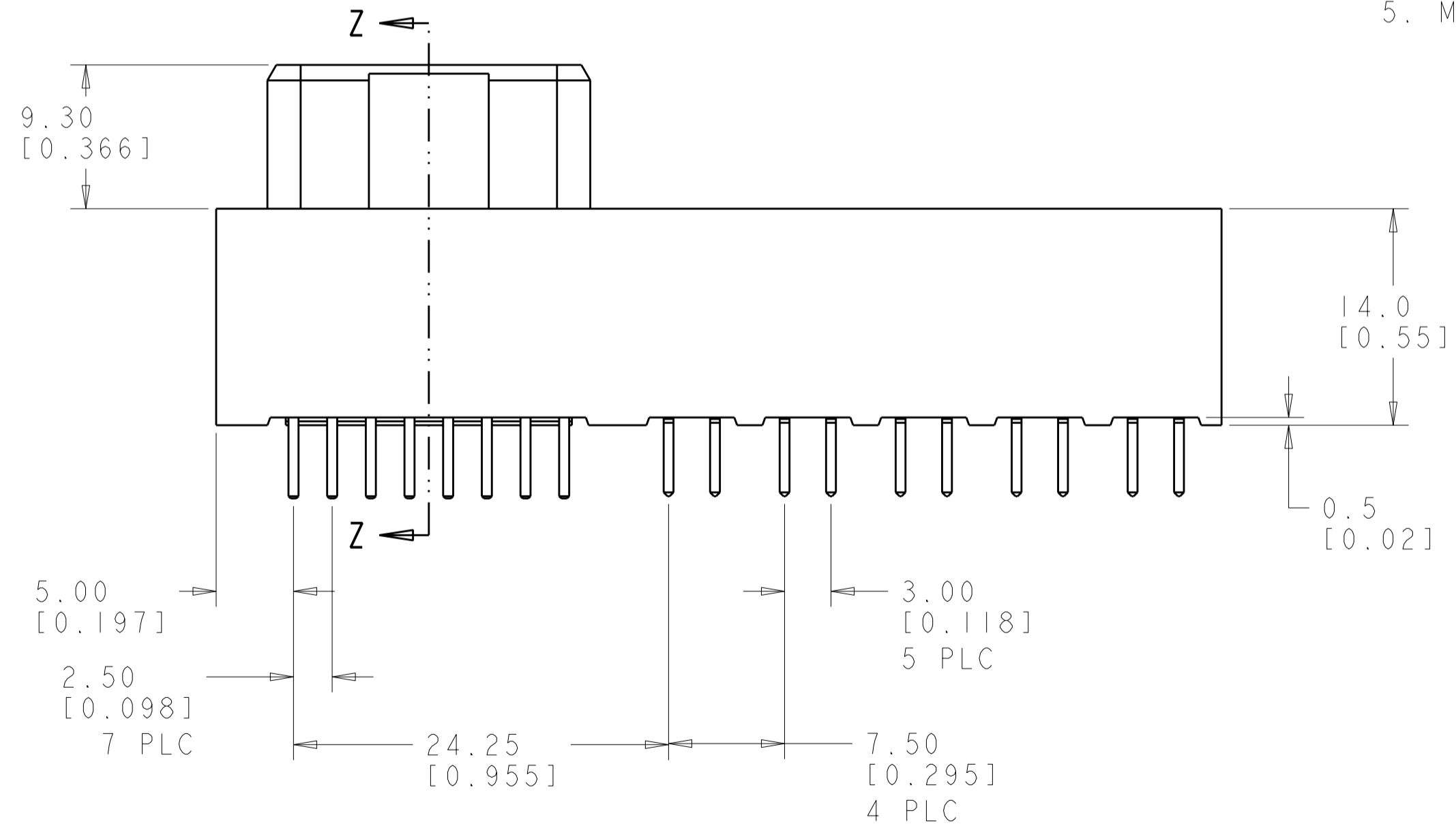


- PART NUMBER CHANGES AND OR DESIGN CHANGES AFFECTING ITEM INTERCHANGEABILITY REQUIRE PRIOR TYCO APPROVAL AND AUTHORIZATION BY REVISION TO THIS DRAWING.
- MATERIAL:
 - INSULATORS - THERMOPLASTIC, GLASS REINFORCED, COLOR: BLACK UL94V-0 FLAMMABILITY RATED.
 - POWER CONTACTS - PHOSPHOR BRONZE ALLOY, COPPER ALLOY
 - CROWN BANDS - BERYLLIUM COPPER ALLOY
 - SIGNAL CONTACTS - BRASS ALLOY
- FINISH:
 - CONTACTS - GOLD PLATE .000030 INCH MIN. THK., OVER NICKEL .000040 INCH MIN. THK SOLDER TAILS, TIN, .000100 INCH MIN. THK.

△ ITEMS PROVIDED TO THIS SPECIFICATION TO BE PERMANENTLY IDENTIFIED PER THE FOLLOWING IDENTIFIER LABEL



5. MATES WITH 6651646-1

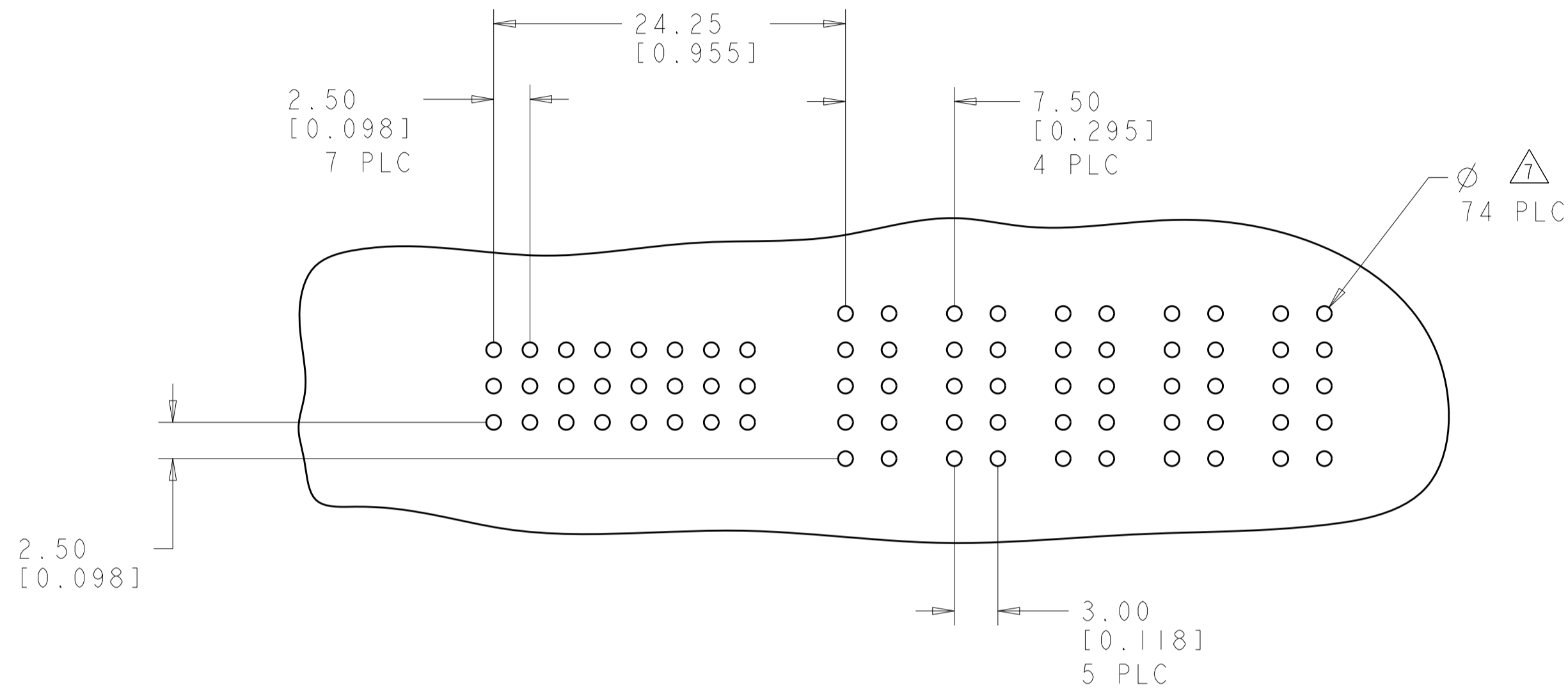


ELCON FLATPAQ

THIS DRAWING IS A CONTROLLED DOCUMENT FOR TYCO ELECTRONICS CORPORATION IT IS SUBJECT TO CHANGE AND THE CONTROLLING ENGINEERING ORGANIZATION SHOULD BE CONTACTED FOR THE LATEST REVISION.		DWN R. GRZYBOWSKI 20SEP2006	AS SHOWN		6651647-1
DIMENSIONS: mm [INCHES]		CHK D. LORD 20SEP2006	DESCRIPTION		PART NUMBER
TOLERANCES UNLESS OTHERWISE SPECIFIED: 0 PLC ±.5 [.020] 1 PLC ±.25 [.010] 2 PLC ±.25 [.010] 3 PLC ±. 4 PLC ±. ANGLES ±.5 FINISH		APVD S. FLICKINGER 20SEP2006	NAME		tyco Electronics Tyco Electronics Harrisburg, PA 17105-3608
MATERIAL		PRODUCT SPEC - APPLICATION SPEC -	SIZE		RESTRICTED TO
-		WEIGHT -	A200779C-6651647		-
CUSTOMER DRAWING		SCALE 3:1	SHEET 1 OF 3		REV B

THIS DRAWING IS UNPUBLISHED. RELEASED FOR PUBLICATION 20
 © COPYRIGHT 20 BY TYCO ELECTRONICS CORPORATION. ALL RIGHTS RESERVED.

LOC	DIST	REVISIONS			
P	LTR	DESCRIPTION	DATE	DWN	APVD
GP	00	-	SEE SHEET 1	-	-



PRINTED CIRCUIT LAYOUT
 COMPONENT SIDE

CONNECTOR	CATALOG MODULE #	QTY	SIZE NO.	CONTACT QTY	MATING PIN	MAX. CURRENT (PER CONTACT)	CONTACT SPACING	VOLTAGE RATING
SOCKET	FP706	5	8	5	1.25 X 7.00 [.049 X .276]	35 amps	7.50 [.2953]	250
		1	22	24	.64 [.025] SQ.	3 amps	2.50 [.0984]	125 VOLTS

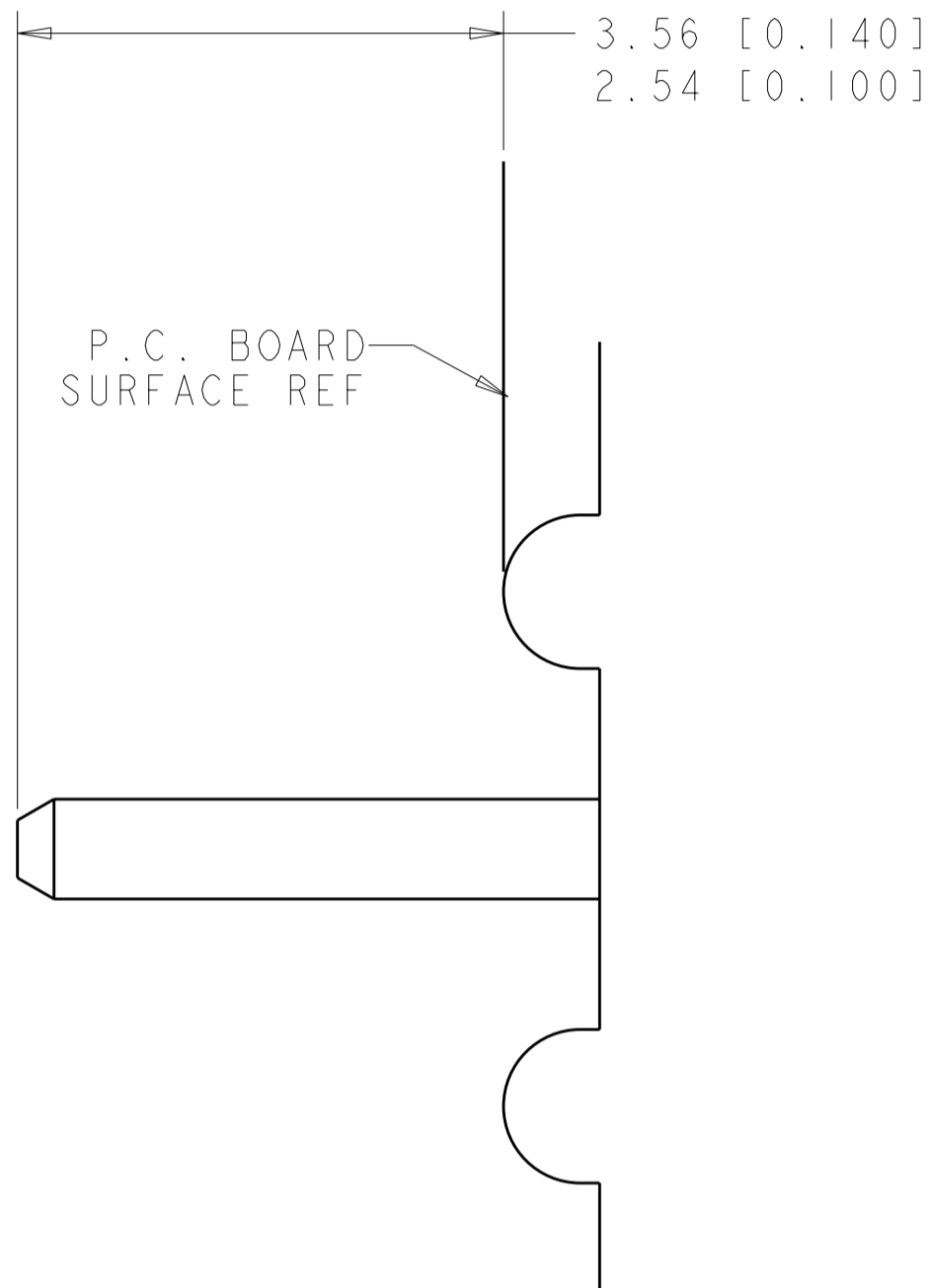
THIS DRAWING IS A CONTROLLED DOCUMENT FOR TYCO ELECTRONICS CORPORATION. IT IS SUBJECT TO CHANGE AND THE CONTROLLING ENGINEERING ORGANIZATION SHOULD BE CONTACTED FOR THE LATEST REVISION.

DWN R. GRZYBOWSKI	20SEP2006	Tyco Electronics Harrisburg, PA 17105-3608			
CHK D. LORD	20SEP2006				
APVD S. FLICKINGER	20SEP2006				
NAME	SOCKET CONNECTOR STRAIGHT, SOLDER TAIL, FLATPAQ				
DIMENSIONS: mm [INCHES]	TOLERANCES UNLESS OTHERWISE SPECIFIED:	SIZE	CAGE CODE	DRAWING NO.	RESTRICTED TO
0 PLC ±.5 [.020]	1 PLC ±.25 [.010]	A2	00779	C-6651647	-
2 PLC ±.25 [.010]	3 PLC ±.	CUSTOMER DRAWING			
3 PLC ±.	4 PLC ±.	SCALE	3:1	SHEET	2 OF 3
ANGLES ±.5	FINISH	REV B			

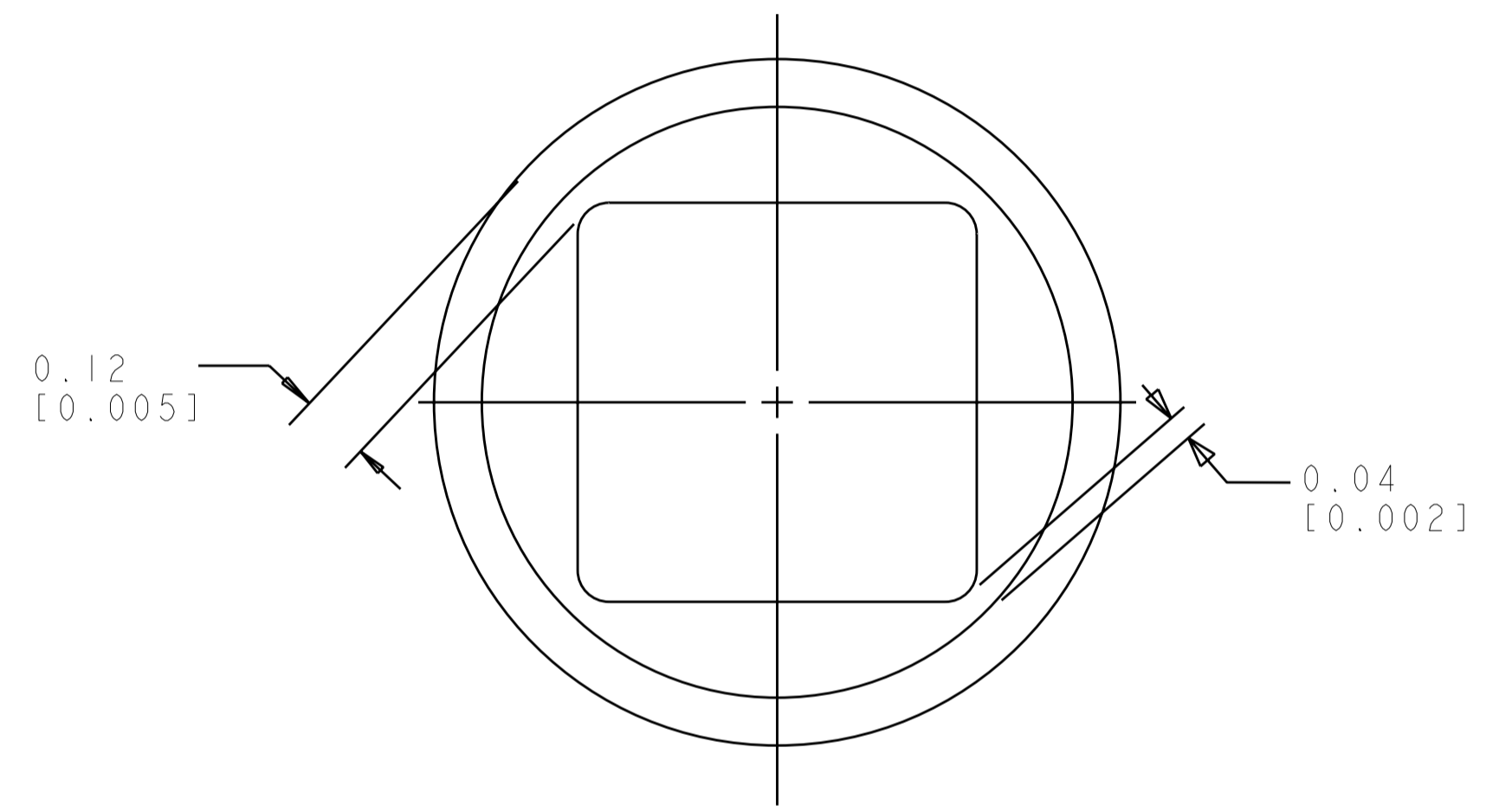
ELCON FLATPAQ

THIS DRAWING IS UNPUBLISHED. RELEASED FOR PUBLICATION 20
 © COPYRIGHT 20 BY TYCO ELECTRONICS CORPORATION. ALL RIGHTS RESERVED.

LOC	DIST	REVISIONS			
P	LTR	DESCRIPTION	DATE	DWN	APVD
GP	00	-	SEE SHEET 1	-	-



6. SOLDER TAIL DETAIL
SCALE 10 : 1



7 SOLDER TERMINATION AREA
SCALE 40:1
RECOMMENDED PRINTED SOLDER CIRCUIT HOLE
FINISHED HOLE: $\varnothing 1.02$ [0.040] ± 0.008 [0.0003]
DRILLED HOLE: $\varnothing 1.15$ [0.0453] ± 0.013 [0.0005]
COPPER PLATE: .025 [0.0010] MIN.
TIN PLATE: .008 [0.0003] MIN. (PER SURFACE)

ELCON FLATPAQ

THIS DRAWING IS A CONTROLLED DOCUMENT FOR TYCO ELECTRONICS CORPORATION. IT IS SUBJECT TO CHANGE AND THE CONTROLLING ENGINEERING ORGANIZATION SHOULD BE CONTACTED FOR THE LATEST REVISION.		DWN R. GRZYBOWSKI 20SEP2006	tyco Tyco Electronics Harrisburg, PA 17105-3608	
DIMENSIONS: mm [INCHES]		CHK D. LORD 20SEP2006	NAME SOCKET CONNECTOR STRAIGHT, SOLDER TAIL, FLATPAQ	
TOLERANCES UNLESS OTHERWISE SPECIFIED: 0 PLC $\pm .5$ [0.020] 1 PLC $\pm .5$ [0.020] 2 PLC $\pm .25$ [0.010] 3 PLC $\pm .$ 4 PLC $\pm .$ ANGLES $\pm .5$ FINISH		APVD S. FLICKINGER 20SEP2006	SIZE A200779	DRAWING NO C-6651647
MATERIAL		PRODUCT SPEC -	RESTRICTED TO -	
		APPLICATION SPEC -	SCALE 3:1	SHEET 3 OF 3 REV B
		WEIGHT -	CUSTOMER DRAWING	