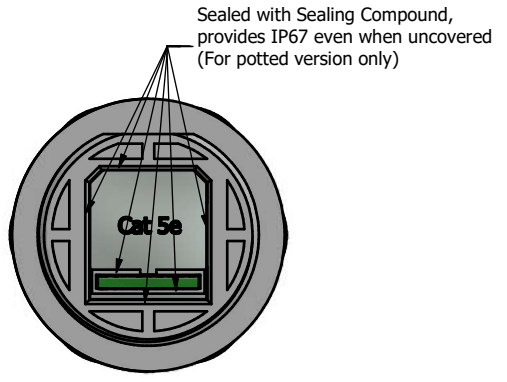
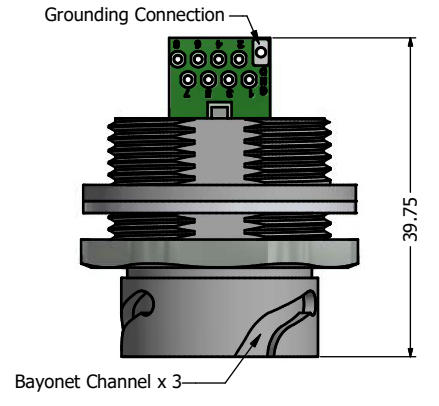
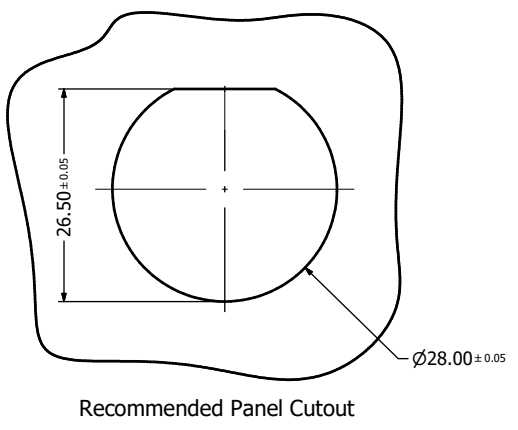
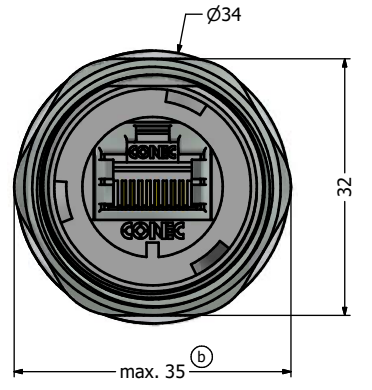
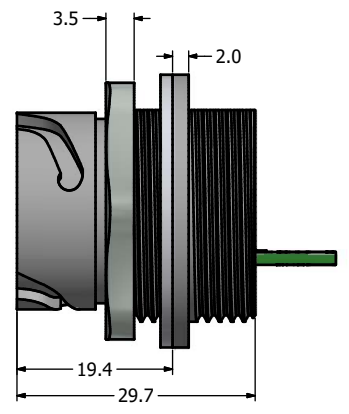


Shielded Cat.5e RJ45 PCB Jack with Metal Shell Grounding accepts both Solid and Stranded AWG 24 to 26 Wires



Notes:

- Electrical Specifications:
 - Meets EIA/TIA-568-B.2 Cat.5e Specification
 - Contact Resistance: 20mOhm max.
 - Insulation Resistance: 500MOhm min. @ 100 VDC
 - Current Rating: 1.2A max. at 25° C
 - Working Voltage: 100 VDC
 - DWV: 1000 VDC/60s Contact to Contact, 1500 VDC/60s Contact to Metal Shell
 - Operating Temperature: -40° C to +85° C
- Material and Finish:
 - Receptacle Housing: Polyester (Color: See Part Number Table); UL94 V-0
 - Panel Nut: Brass, Finish: Nickel Plated
 - Panel Gasket: Silicon, Color: White
 - Cat.5e RJ45 PCB Jack Metal Shell: Copper Alloy, Nickel Plated
 - Cat.5e RJ45 PCB Jack Plastic Housing: Glass filled PBT UL94 V-0, Color: Black
 - Cat.5e RJ45 PCB Jack Contacts: Phosphor Bronze, Finish: 50u" Gold min. over Nickel
- Connector can be front or rear mounted to a maximum panel thickness of 3.2mm.
- IP67 rated when covered or fully mated with the appropriate mating connector
- Recommended Mounting Panel Nut torque is 20 to 25 lb-inch



Description	Colored Plastic Receptacle Housing with Shielded Cat.5e RJ45 PCB Jack					
Plastic Receptacle Housing Color	Black	Blue	Green	Yellow	Red	White
Unpotted Version	17-110264	17-110274	17-110284	17-110294	17-110304	17-110314
Potted Version	17-110324	17-110334	17-110344	17-110354	17-110364	17-110374

THIS DRAWING MAY NOT BE COPIED OR REPRODUCED IN ANY MANNER OR ON TO A THIRD PARTY WITHOUT WRITTEN PERMISSION FROM CONEC CORPORATION. OWNERSHIP AND COPYRIGHT OF CONEC CORPORATION.	Customer:			Tolerance Unless otherwise specified			Scale:	Dim. in mm
	Name	Title	Approval Date	0 PLC ±0.50	1 PLC ±0.38		2 PLC ±0.25	3 PLC ±0.10
				ANGLES ±3°	2012	Date	Name	Receptacle Assembly Kit with Colored Plastic Receptacle Housing A + Shielded Cat. 5e RJ45 PCB Jack Version-II
					Draw.	Oct. 09	Vincent Ke	
					Appd.	Oct. 09	J. Chaudry	
				Norm			Drawing No.: 17K1A359 Part No.: SEE PART NUMBER TABLE	
				D-old				DIN A3
	1 x b	A21-04.26	03.11.2021	Bub			Sheet 1/1	
	a	original						
	Rev.	Changes	Date	Name				

RoHS compliant