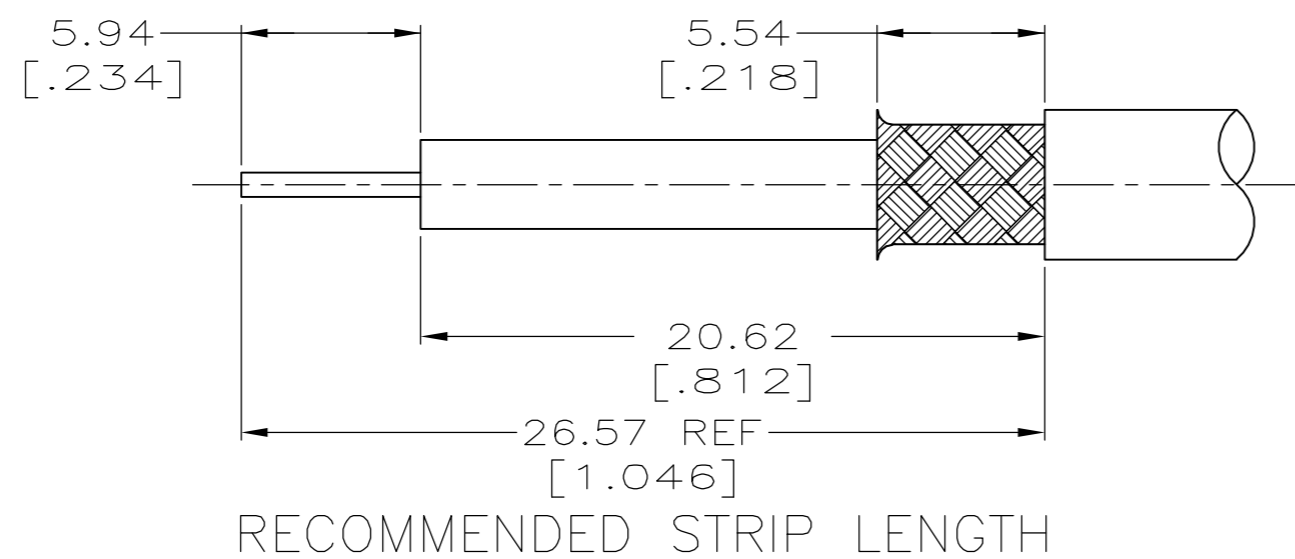
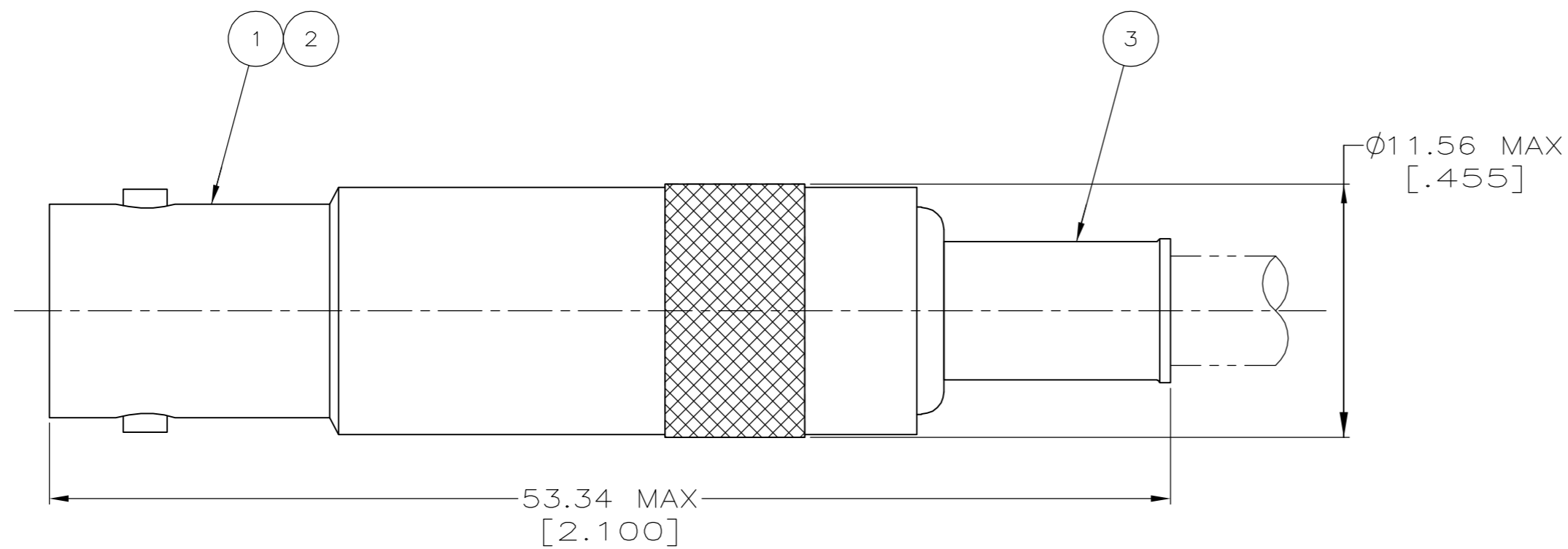


THIS DRAWING IS UNPUBLISHED. RELEASED FOR PUBLICATION  
 © COPYRIGHT BY TYCO ELECTRONICS CORPORATION. ALL RIGHTS RESERVED.

LOC	DIST	REVISIONS			
P	LTR	DESCRIPTION	DATE	DWN	APVD
AJ	16	0	REV PER EC-0S14-0496-04	31JAN2005	AF JL

1. USE INSTRUCTION SHEET 9821



RG-59/U, 59A/U, 59B/U, 62/U, 62A/U, 62B/U	220022-2	9-50428-0	225057-2	225096-4	5225087-5
FOR USE WITH CABLE	HAND TOOL	(3) FERRULE QTY=1	(2) CONTACT QTY=1	(1) JACK ASSEMBLY QTY=1	PART NUMBER

THIS DRAWING IS A CONTROLLED DOCUMENT.		DWN A. FERNANDEZ-DOCK5 31JAN2005	Tyco Electronics Corporation Harrisburg, PA 17105-3608	
DIMENSIONS: INCHES	TOLERANCES UNLESS OTHERWISE SPECIFIED:	CHK J. HAVENER 31JAN2005	NAME JACK, STANDARD HIGH VOLTAGE	
	0 PLC ± -	APVD J. LIPPERT 31JAN2005	SIZE	RESTRICTED TO
	1 PLC ± -	PRODUCT SPEC	A2	-
	2 PLC ± 0.41 [.016]	APPLICATION SPEC	CAGE CODE	DRAWING NO
	3 PLC ± -		00779	C=5225087
	4 PLC ± -		SCALE	SHEET
	ANGLES ± -	WEIGHT	4:1	1 OF 1
MATERIAL	FINISH	CUSTOMER DRAWING	REV	0