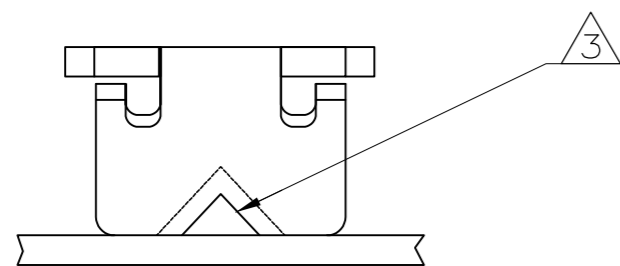
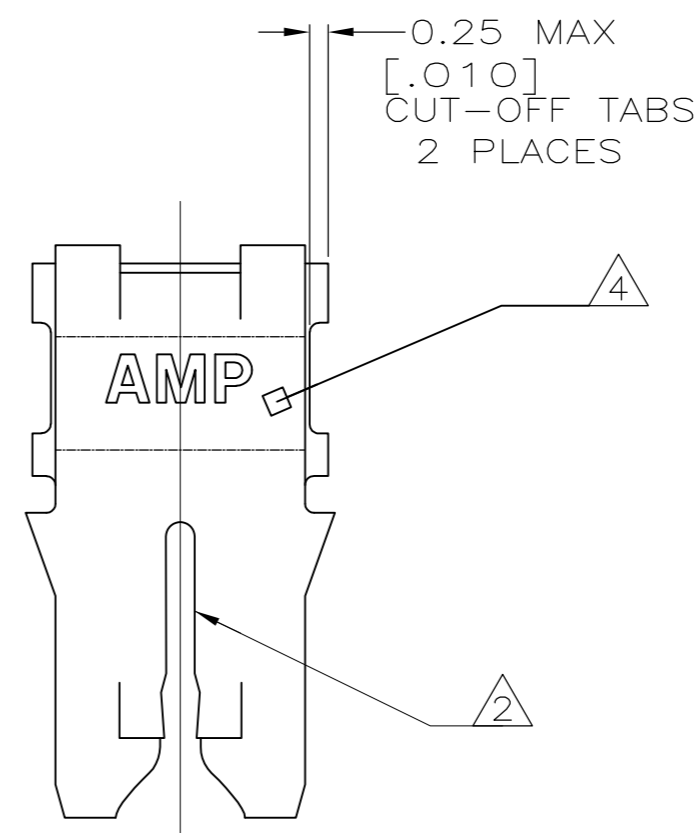
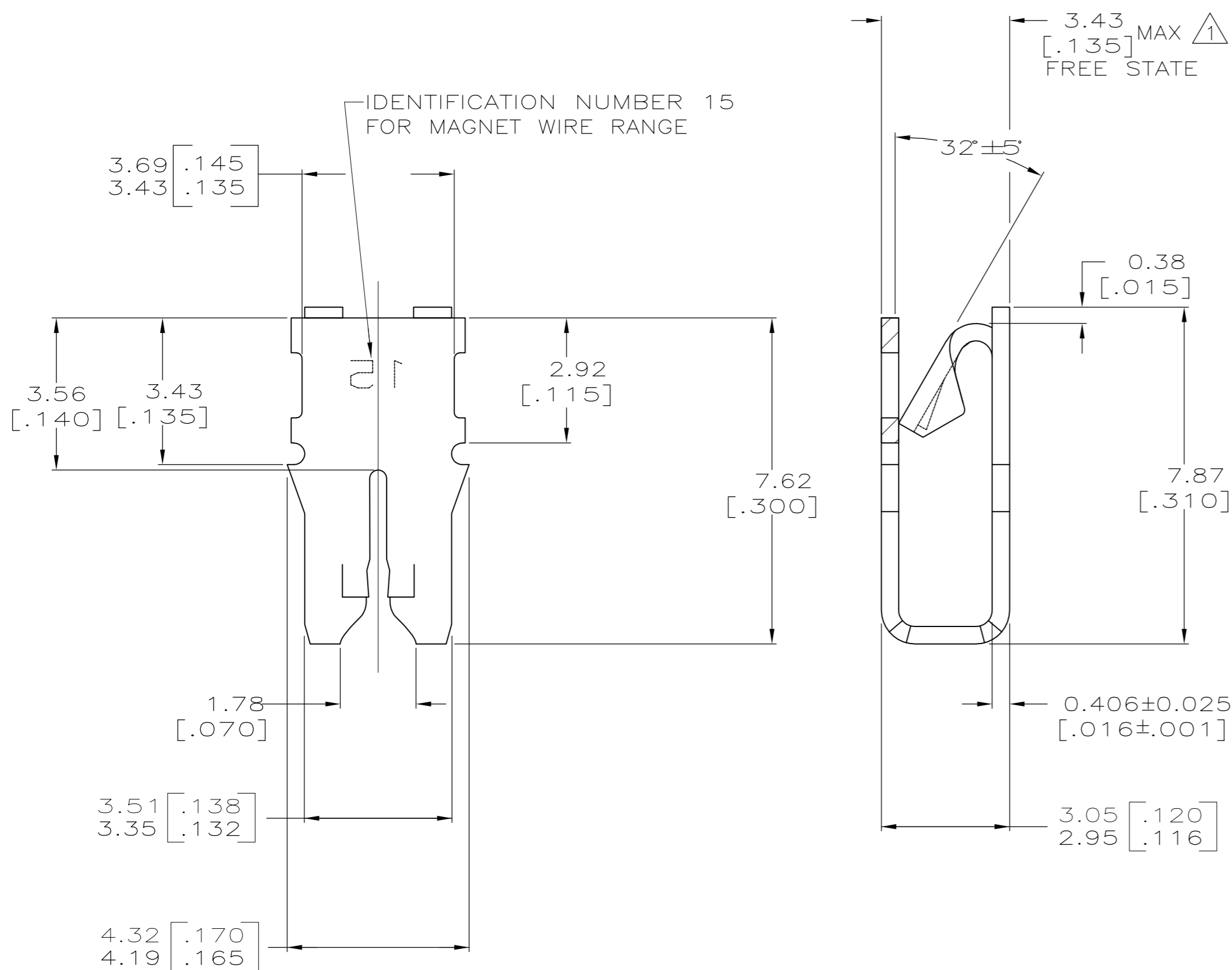


THIS DRAWING IS UNPUBLISHED. RELEASED FOR PUBLICATION
 © COPYRIGHT - By - ALL RIGHTS RESERVED.

LOC	DIST	REVISIONS					
		P	LTR	DESCRIPTION	DATE	DWN	APVD
AF	50	A1		ECR-15-005665	10AUG2015	BDA	PKS



- ① DIMENSION APPLIES WITH LEAF EDGE TOUCHING CARRIER SIDE OF BOX
- ② SLOT ACCEPTS 0.64-0.81mm [#22-#20] AWG COPPER MAGNET WIRE.
SLOT ACCEPTS 0.72-0.91mm [#21-#19] AWG ALUMINUM MAGNET WIRE ALUMINUM WIRE RANGE APPLIES FOR POST-TIN PLATED VERSIONS ONLY. A SINGLE WIRE ONLY.
- ③ POKE-IN ACCEPTS A 0.81-1.02mm² [#20-#18] AWG SOLID OR FUSED STRANDED LEAD WIRE.
- ④ APPLY BLACK COLORING TO THIS SURFACE DURING LOOSE PIECE OPERATION TO PROVIDE COLOR CODING OF MAGNET WIRE RANGE



62524-1
PART NUMBER

THIS DRAWING IS A CONTROLLED DOCUMENT.		DWN R.GRZYBOWSKI 21JAN98	TE TE Connectivity	
DIMENSIONS: INCHES		CHK M.S.FEHER 21JAN98		
TOLERANCES UNLESS OTHERWISE SPECIFIED:		APVD N.E.NEFF 21JAN98	NAME	
0 PLC ± -		PRODUCT SPEC	108-2012	
1 PLC ± -		APPLICATION SPEC	114-2046	
2 PLC ± 0.25 [.010]		WEIGHT -	SIZE A2	CAGE CODE 00779
3 PLC ± -		CUSTOMER DRAWING	DRAWING NO C=62524	RESTRICTED TO -
4 PLC ± -			SCALE 10:1	SHEET 1 of 1
ANGLES ± -			REV A1	
FINISH TIN PLATED				