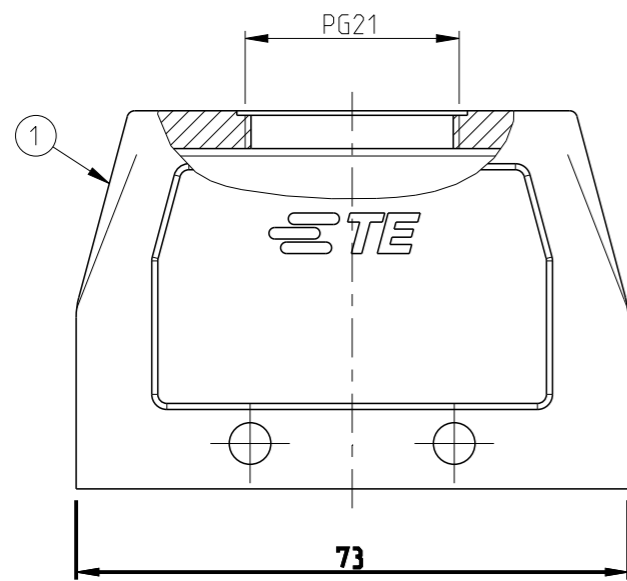
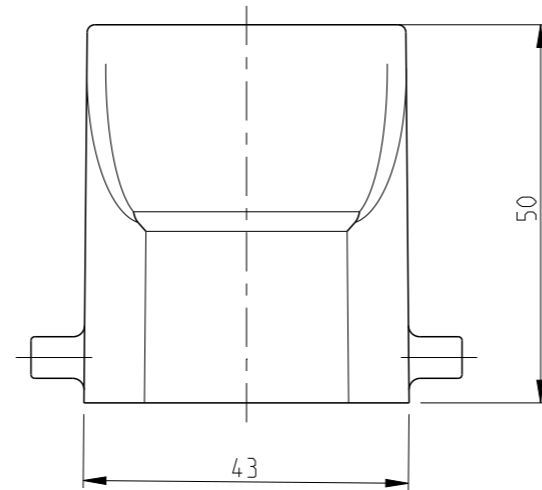


P	LTR	DESCRIPTION	DATE	DWN	APVD
	A4	ECR-21-123293	22FEB2022	RK	JB

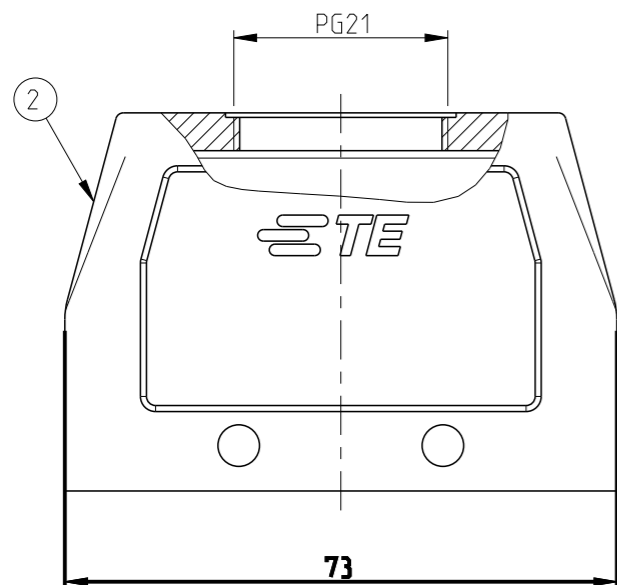


PN 4-6

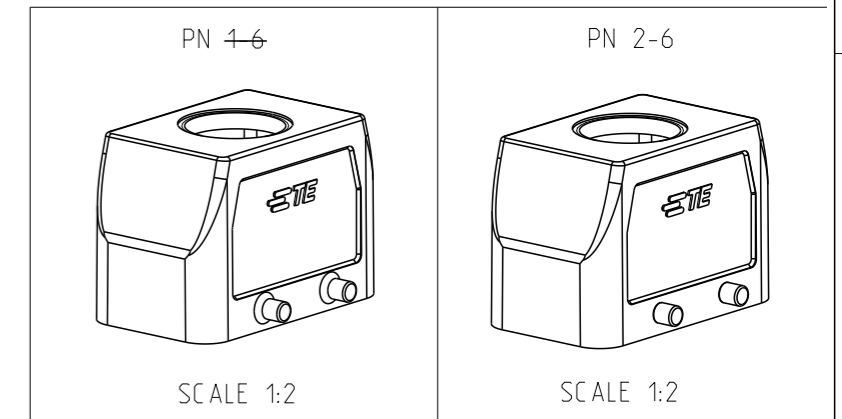
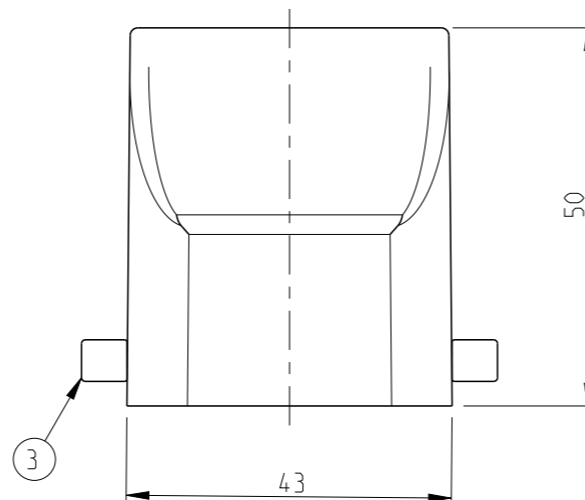


NOTES.

- 1 Material:Housing:Aluminium Diecasting Alloy
- 2 Surface-Powder Varnish Grey
-Aluminium Oxide +
Varnish Black
- 3 Varnish on the inside not necessary
- 4 Packaging
Quantity 5 Pieces in a box



PN 2-6



OBSOLETE

QTY	DESCRIPTION	MATERIAL	SURFACE	COLOR	ITEM NO	REMARKS	
4	VS-Clip bolt	Stainless steel	-		3	-	
1	Hood HB.10.PG.1.21	Aluminium	Aluminium oxide	Black	2	-	
1	Hood HB.10.PG.1.21	Aluminium	-	Grey	1	-	
2-6	1-6	DESCRIPTION	MATERIAL	SURFACE	COLOR	ITEM NO	REMARKS
HB.10.STO.1.21.G							
HB-K.10.STO.1.21.G							

THIS DRAWING IS A CONTROLLED DOCUMENT.

DIMENSIONS:	TOLERANCES UNLESS OTHERWISE SPECIFIED:
mm	0 PLC ±
	1 PLC ±
	2 PLC ±
	3 PLC ±
	4 PLC ±
MATERIAL	FINISH
-	-

DWN	15.06.99
CHK	15.06.99
APVD	-
PRODUCT SPEC	108-74003
APPLICATION SPEC	114-74001
WEIGHT	-

NAME	Hood HB.10.STO.1.21.G
SIZE	A3
CAGE CODE	00779
DRAWING NO	C=1102270
RESTRICTED TO	-



TE Connectivity