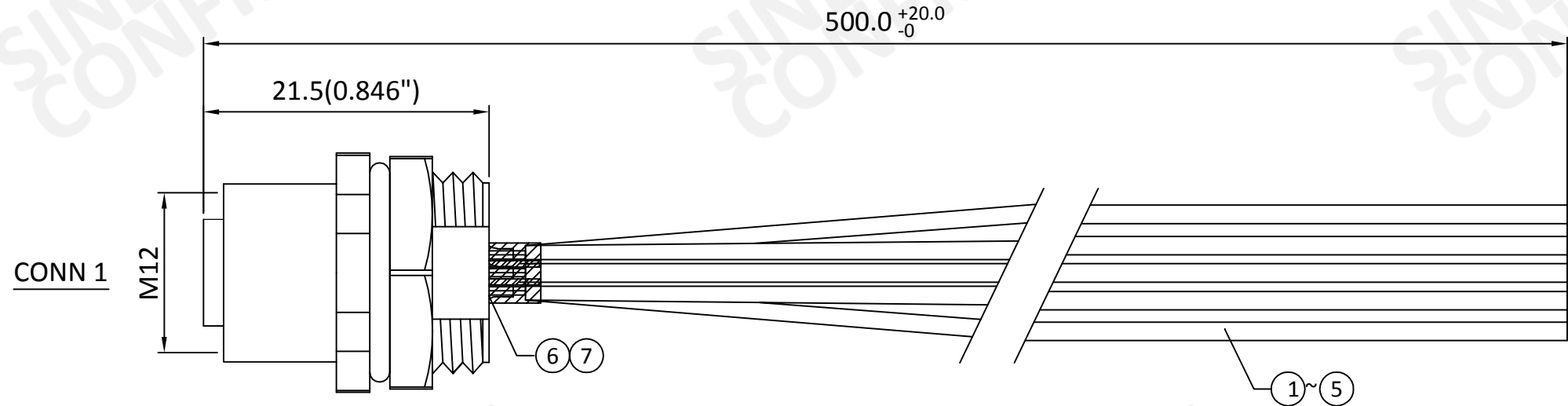
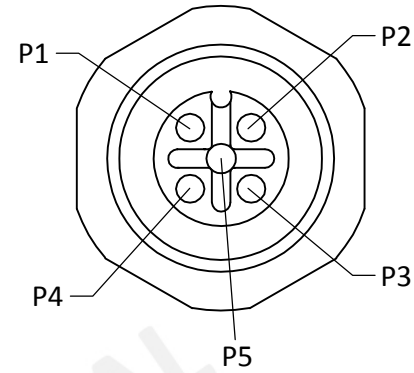


| REV. | ECN NO. | DATE        | BY      | DESCRIPTION |
|------|---------|-------------|---------|-------------|
| 01   |         | Sep/03/2020 | Aine Li | RELEASED    |



| WIRE RUN LIST |        |       |
|---------------|--------|-------|
| AWG           | CONN 1 | COLOR |
| 24            | 1      | BROWN |
|               | 2      | WHITE |
|               | 3      | BLUE  |
|               | 4      | BLACK |
|               | 5      | GRAY  |

| ITEM | QTY | DESCRIPTION   |
|------|-----|---|
| 7.   | A/R | HEAT SHRINK TUBE,UL224,1Q,BLACK,ID=1.3,T=0.2(A5340000000SD)     |
| 6.   | 1   | M12 CONN., A-CODE, FEMALE, 5P(A30150227001SD)                   |
| 5.   | A/R | HOOK-UP WIRE, UL1213 #24, WHITE, OD=0.98, PTFE (A10902921001SD) |
| 4.   | A/R | HOOK-UP WIRE, UL1213 #24, BLACK, OD=0.98, PTFE (A10902920001SD) |
| 3.   | A/R | HOOK-UP WIRE, UL1213 #24, BROWN, OD=0.98, PTFE (A10902919001SD) |
| 2.   | A/R | HOOK-UP WIRE, UL1213 #24, GRAY, OD=0.98, PTFE (A10902913001SD)  |
| 1.   | A/R | HOOK-UP WIRE, UL1213 #24, BLUE, OD=0.98, PTFE (A10902912001SD)  |

NOTES:

- TESTING SPEC.:  
COND. RESISTANCE: 3Ω MAX.  
INSUL. RESISTANCE: 10MΩ MIN.  
TESTING VOLTAGE: 200V DC
- IP67 WHEN MATED.
- FOLLOW IPC620 CLASS II STANDARD TO ASSEMBLY AND INSPECTION.
- RoHS COMPLIANCE.

THIS DRAWING CONTAINS CONFIDENTIAL INFORMATION AND IS THE PROPERTY OF SINBON ELECTRONICS CO., LTD. IT MAY NOT BE USED OR ITS CONTENTS COPIED OR DISCLOSED TO A THIRD PARTY WITHOUT PRIOR WRITTEN CONSENT AND IS TO BE RETURNED PROMPTLY UPON REQUEST BY SINBON ELECTRONICS CO., LTD.

|  |              |  |                   |
|--|--------------|--|-------------------|
| CUSTOMER :<br><b>DigiKey</b>           |              | REV. :<br>N/A                                    |                   |
| CUSTOMER P/N :<br>N/A                  |              | DESCRIPTION :<br>5P female rear wire, IP67, 0.5m |                   |
| UNLESS OTHERWISE SPECIFIED TOLERANCE : |              | PART NUMBER :<br>M12A-05PF0-UL24N05              |                   |
| 1 ~ 10 : ±1                            | 11 ~ 30 : ±2 | 31 ~ 50 : ±3                                     | 51 ~ 200 : ±5     |
| 201 ~ 400 : ±7                         | > 401 : ±10  | REV. :<br>01                                     |                   |
| ANGLES : ±1°                           |              | SIZE :<br>A3                                     | UNIT :<br>mm      |
| DRA. :<br>Sep/03/2020<br>Aine Li       |              | SCALE :<br>NONE                                  | SHEET :<br>1 of 1 |
| CHK. :<br>Sep/03/2020<br>Kevin Qiu     |              |  |                   |
| APR. :<br>Sep/03/2020<br>Kevin Qiu     |              |  |                   |