

REVISIONS				
EC NO	DATE	REV	DESCRIPTION	CHANGER
	2016.12.13	A	INITIAL RELEASE.	DICK
CY17-5496	2017.03.28	B	NO CHANGE.	DICK

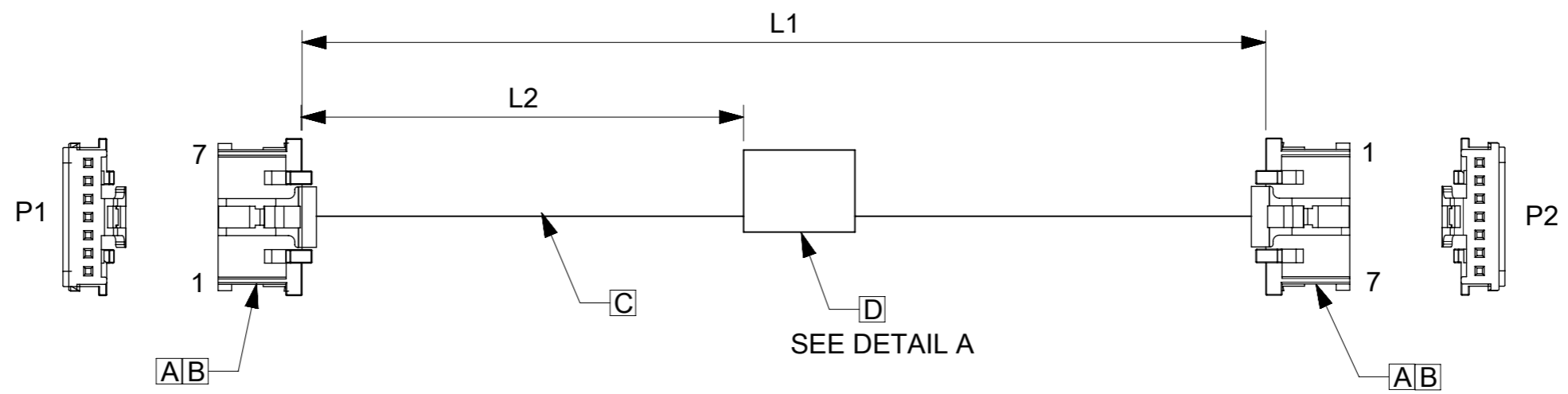


TABLE			
PART NUMBER	L1	L2	TITLE
151360700	50±5	18REF	MicroClasp 7Circuit 50MM
151360701	100±8	44REF	MicroClasp 7Circuit 100MM
151360702	150±10	69REF	MicroClasp 7Circuit 150MM
151360703	300±10	144REF	MicroClasp 7Circuit 300MM
151360705	450±15	219REF	MicroClasp 7Circuit 450MM
151360706	600±15	294REF	MicroClasp 7Circuit 600MM

P/N:15136XXXX MOLEX PN
MOLEX

DETAIL A

NOTES

1. THIS PRODUCT MUST MEET 2011/65/EU ROHS COMPLIANCE.
此产品需符合 2011/65/EU ROHS环保要求.
2. ELECTRICAL PERFORMANCE REFER TO ES-000.
电气特性参考ES-000.
3. LABEL TEXT MUST BE 2mm MAX. IN HEIGHT WITH ARIAL FONT.
标签字高最大2mm,字体ARIAL.

ITEM	DESCRIPTION	L(MM)	QTY
D	Blank label 12.7x35.5mm (WHT:12.7mm) HF		1
C	UL&CSA 1061/#22 STR BLK	A/R	
B	2.0 WtB Crimp Rec Chn, Tin plating		14
A	2.0 WtB Hsg 7Ckt		2

WIRING CHART		
P1	P2	COLOR
1	7	BLACK
2	6	BLACK
3	5	BLACK
4	4	BLACK
5	3	BLACK
6	2	BLACK
7	1	BLACK

QUALITY SYMBOLS 	THIS DRAWING CONTAINS INFORMATION THAT IS PROPRIETARY TO MOLEX ELECTRONIC TECHNOLOGIES, LLC AND SHOULD NOT BE USED WITHOUT WRITTEN PERMISSION		DIMENSION UNITS: MM SCALE: NTS			
	EC NO: 115125 DRWN: WLXIE CHK'D: DHUANG16 REV APPR: YXZOU	GENERAL TOLERANCES (UNLESS SPECIFIED) ANGULAR TOL ± °		DRWN BY: XJGUO01 DATE: 2016/11/23		SEE TABLE
		4 PLACES ± 3 PLACES ± 2 PLACES ± 1 PLACE ± 0 PLACES ±		CHK'D BY: DHUANG16 DATE: 2016/12/13		
		DRAFT WHERE APPLICABLE MUST REMAIN WITHIN DIMENSIONS		APPR BY: YXZOU DATE: 2016/12/19		
DRAWING SIZE: A3 THIRD ANGLE PROJECTION		PRODUCT CUSTOMER DRAWING		SERIES: 201234 MATERIAL NUMBER: SEE TABLE CUSTOMER: GENERAL MARKET		
RELEASE STATUS: P1 RELEASE DATE: 29.03.2017 10:38:25		DOCUMENT NUMBER: 2012341710 DOC TYPE: PSD DOC PART: 000 SHEET NUMBER: 1 OF 1				