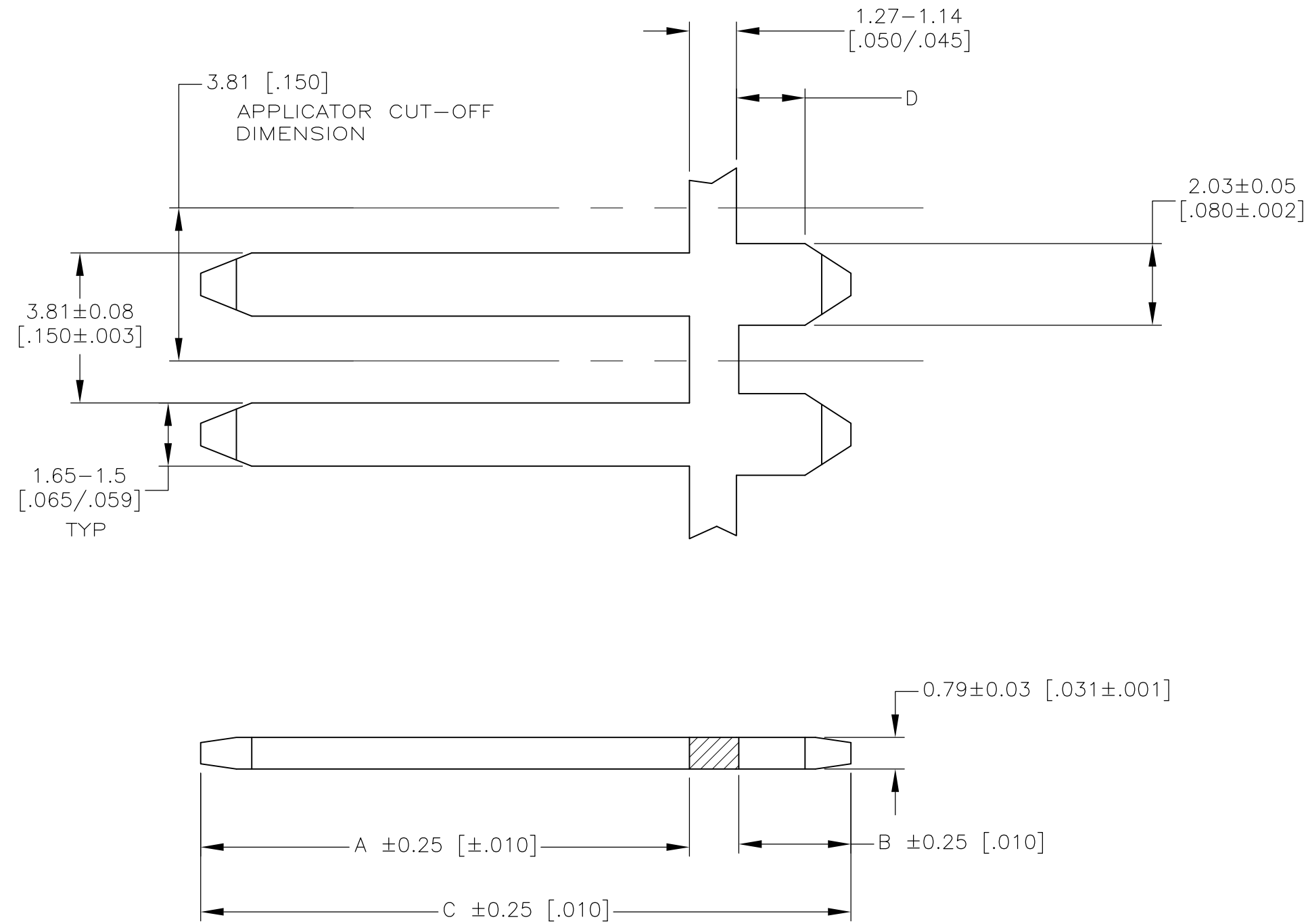


THIS DRAWING IS UNPUBLISHED. RELEASED FOR PUBLICATION
 © COPYRIGHT BY TYCO ELECTRONICS CORPORATION. ALL RIGHTS RESERVED.

LOC	DIST	REVISIONS			
P	LTR	DESCRIPTION	DATE	DWN	APVD
AD	00	E	ECO-07-020237	11SEP07	MB JO



1. RECOMMENDED HOLE SIZE 1.98 ± 0.05 [.078 ± .002] DIA.
2. THIS POST IS NOT COMPATIBLE WITH TERMI-POINT APPLICATIONS
3. $0.00254 - 0.00508$ [.000100 - .000200] BRIGHT TIN OVER
 0.000762 [.000030] NICKEL
4. THE ENDS OF THE CONTACT STRIP SHALL NOT BE PHYSICALLY ATTACHED TO EACH OTHER AT THE LOCATION OF ANY REQUIRED SPLICES.

	$1.78 - 1.52$ [.070 - .060]	$\triangle 3$	16.20 [.638]	2.79 [.110]	12.19 [.480]	147506-2
OBSOLETE	$2.03 - 1.88$ [.080 - .074]	$\triangle 3$	18.16 [.715]	4.75 [.187]	12.19 [.480]	147506-1
	D	FINISH	C	B	A	STRIP PART NUMBER

THIS DRAWING IS A CONTROLLED DOCUMENT.		DWN B. HAYMAKER	31AUG00	Tyco Electronics Tyco Electronics Corporation Harrisburg, PA 17105-3608		
DIMENSIONS: INCHES		CHK M. ZITTO	17NOV00	NAME CONTACT, MOD I, MALE, .031 X .062		
TOLERANCES UNLESS OTHERWISE SPECIFIED:		APVD M. ZITTO	17NOV00	PRODUCT SPEC -		
MATERIAL BRASS		FINISH SEE TABLE	WEIGHT -	APPLICATION SPEC -	SIZE A2	CAGE CODE 00779
CUSTOMER DRAWING				DRAWING NO C=147506	RESTRICTED TO -	SCALE 8:1
				SHEET 1 of 1	REV E	