

NUMBER OF CIRCUITS "XX"	MATERIAL NO.	ENG. NO	COLOR	DIM "A"	DIM "B"
02	397631002	MX007-2-02P-G12	GREEN	7.70	3.50
03	397631003	MX007-2-03P-G12	GREEN	11.20	7.00
04	397631004	MX007-2-04P-G12	GREEN	14.70	10.50
05	397631005	MX007-2-05P-G12	GREEN	18.20	14.00
06	397631006	MX007-2-06P-G12	GREEN	21.70	17.50
07	397631007	MX007-2-07P-G12	GREEN	25.20	21.00
08	397631008	MX007-2-08P-G12	GREEN	28.70	24.50
09	397631009	MX007-2-09P-G12	GREEN	32.20	28.00
10	397631010	MX007-2-10P-G12	GREEN	35.70	31.50
11	397631011	MX007-2-11P-G12	GREEN	39.20	35.00
12	397631012	MX007-2-12P-G12	GREEN	42.70	38.50
13	397631013	MX007-2-13P-G12	GREEN	46.20	42.00
14	397631014	MX007-2-14P-G12	GREEN	49.70	45.50
15	397631015	MX007-2-15P-G12	GREEN	53.20	49.00
16	397631016	MX007-2-16P-G12	GREEN	56.70	52.50
17	397631017	MX007-2-17P-G12	GREEN	60.20	56.00
18	397631018	MX007-2-18P-G12	GREEN	63.70	59.50
19	397631019	MX007-2-19P-G12	GREEN	67.20	63.00
20	397631020	MX007-2-20P-G12	GREEN	70.70	66.50

**SPECIFICATIONS:**

1. MATERIAL:

- A. HOUSING, COVER AND LEVER: PA66 UL 94-V0
- B. TERMINAL: COPPER ALLOY, TIN PLATED
- C. SPRING COIL: STAINLESS STEEL

2. MAX. RATING: 150V, 8A (PER UL)

3. INSULATION WITHSTAND VOLTAGE: AC1600V/1 MIN.

4. INSULATION RESISTANCE: 500MΩ AT DC500V

5. TEMPERATURE RANGE: -40°C TO +105°C

6. WIRE RANGE: 16 TO 24 AWG PER UL

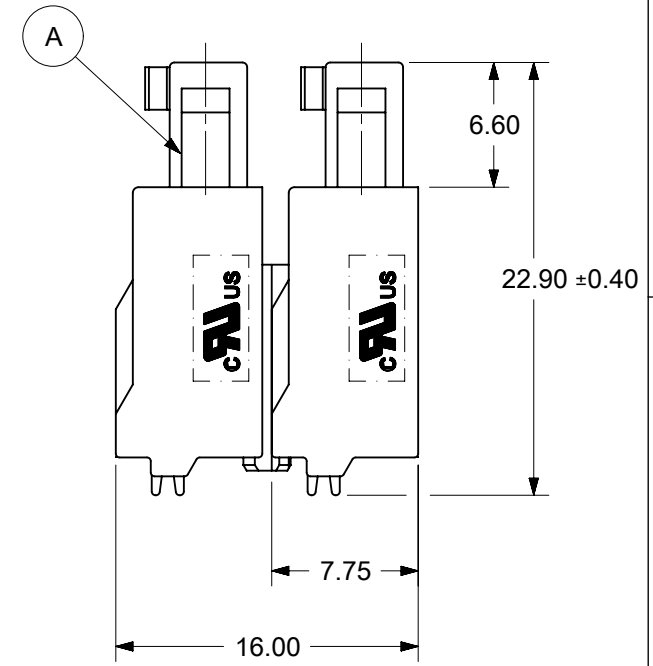
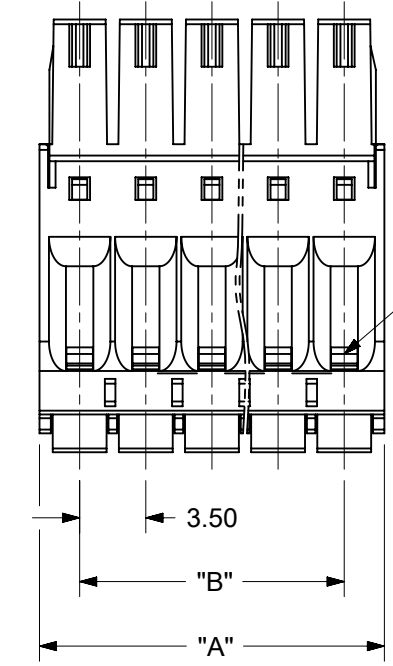
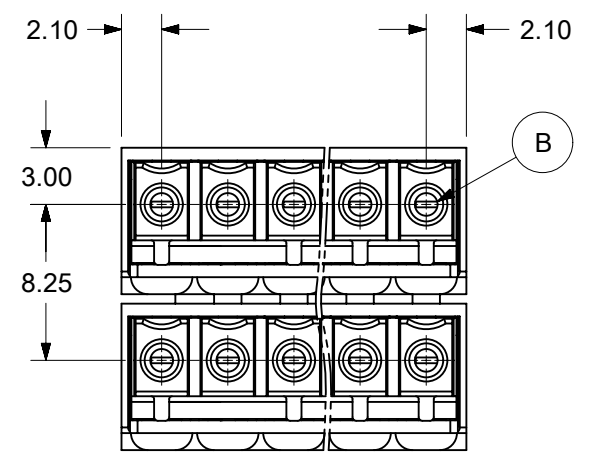
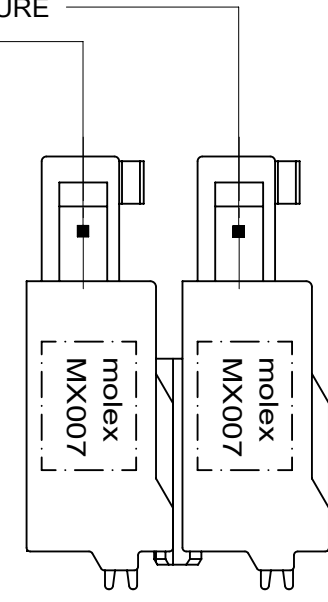
7. WIRE STRIP LENGTH: 10.0mm (0.39")

8. NOTE: ALL ELECTRICAL AND MECHANICAL SPECIFICATIONS PER UL 1059 AS NOTED IN MOLEX AGENCY APPROVAL FILE NO. E48521

Total Pitch Tolerances in mm									Nominal dimension range in mm									
over	over	over	over	over	over	over	over	over	over	over	over	over	over	over	over	over	over	over
0	30	53	70	90	115	150	200	250	0	30	53	70	90	115	150	200	250	
to	to	to	to	to	to	to	to	to	to	to	to	to	to	to	to	to	to	
30	53	70	90	115	150	200	250	320	30	53	70	90	115	150	200	250	320	
±0.20	±0.25	±0.30	±0.35	±0.44	±0.55	±0.70	±0.85	±1.00	±0.25	±0.30	±0.35	±0.44	±0.55	±0.70	±0.80	±0.90	±1.20	

DOCUMENT STATUS P1 RELEASE DATE 2021/06/22 20:54:39

SIDE RETENTION FEATURE FOR 2 TO 7 CIRCUITS VERSIONS ONLY



FUNCTIONAL SYMBOLS	THIS DRAWING CONTAINS INFORMATION THAT IS PROPRIETARY TO MOLEX ELECTRONIC TECHNOLOGIES, LLC AND SHOULD NOT BE USED WITHOUT WRITTEN PERMISSION		CURRENT REV DESC: INITIAL RELEASE			<b>molex</b>				
	DIMENSION UNITS	SCALE							DUAL ROW SPRING TYPE PLUG, 3.50MM PITCH, 8A	
	GENERAL TOLERANCES (UNLESS SPECIFIED)	mm NTS		EC NO: 665717			2021/01/19			
	ANGULAR TOL	± ---		DRWN: ABENJAMINLW			2021/05/26			
DIVISIONAL SYMBOLS	4 PLACES ± ---		CHK'D: DACHAMMER			2021/06/22				
3 PLACES ± ---		APPR: JFMURPHY			INITIAL REVISION:			DOCUMENT NUMBER		
2 PLACES ± SEE CHART		2021/01/19			397631002			PSD 000 A		
1 PLACE ± SEE CHART		2021/06/22			DRWN: ABENJAMINLW			MATERIAL NUMBER		
0 PLACES ± ---		APPR: JFMURPHY			2021/06/22			CUSTOMER		
DRAFT WHERE APPLICABLE MUST REMAIN WITHIN DIMENSIONS		THIRD ANGLE PROJECTION		DRAWING		SERIES		SHEET NUMBER		
		B-SIZE		39763		SEE CHART		GENERAL MARKET		
								1 OF 1		