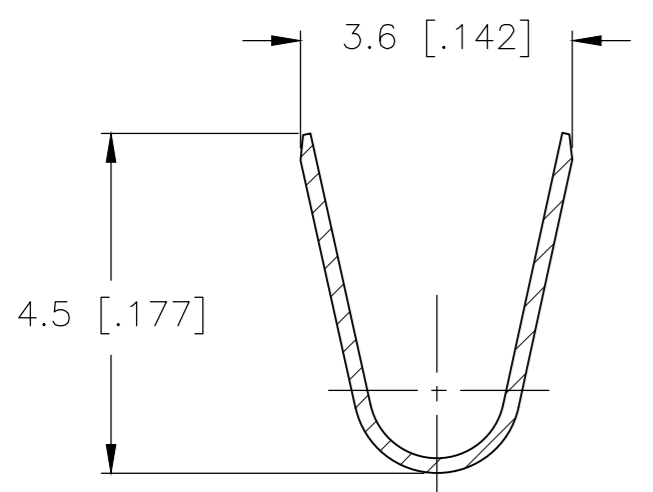
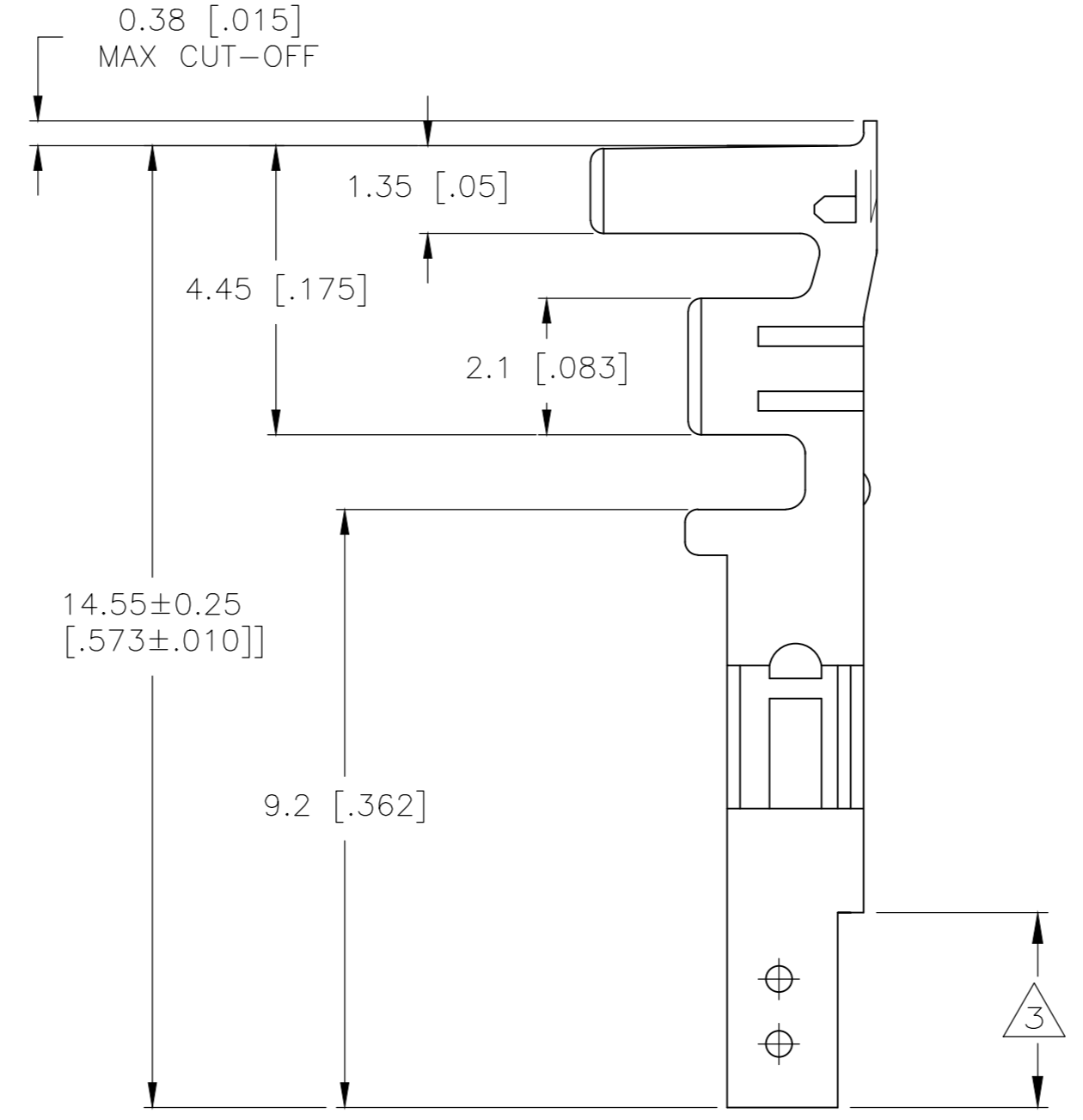
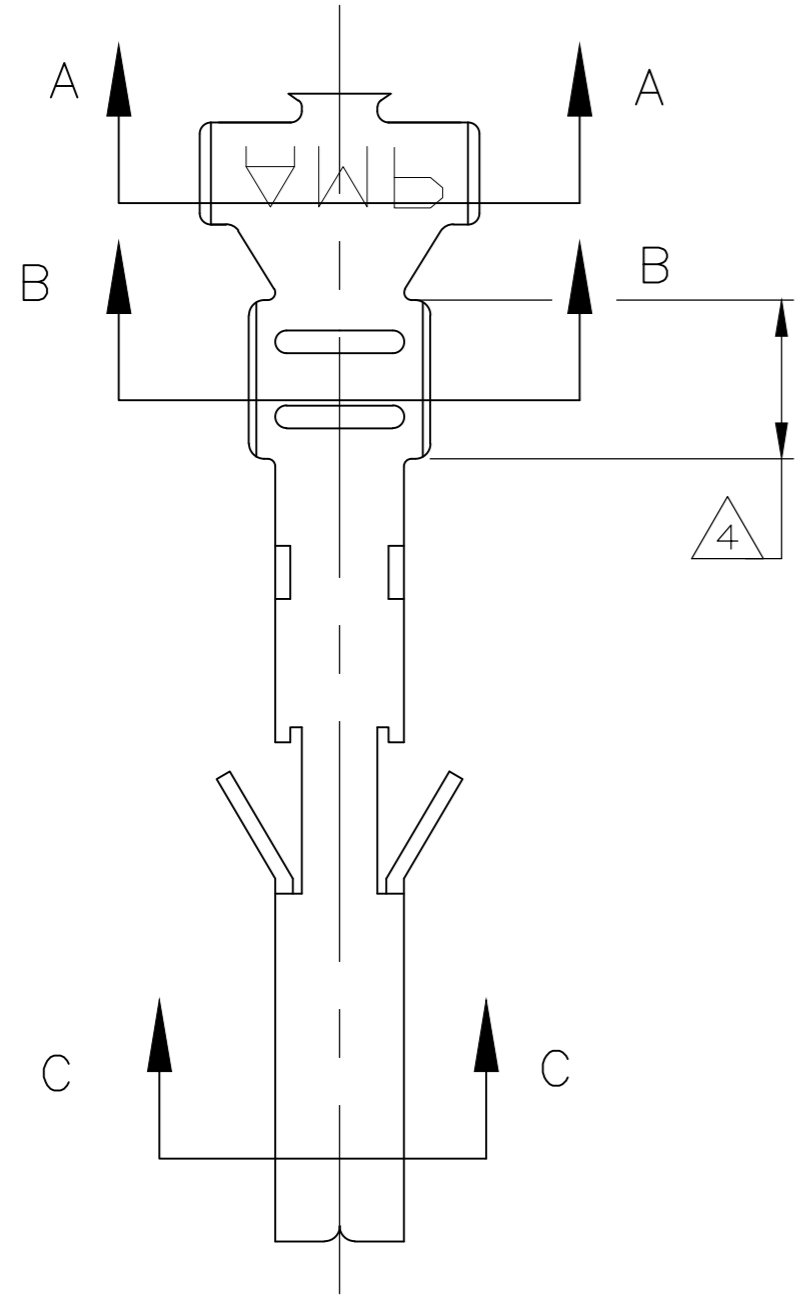


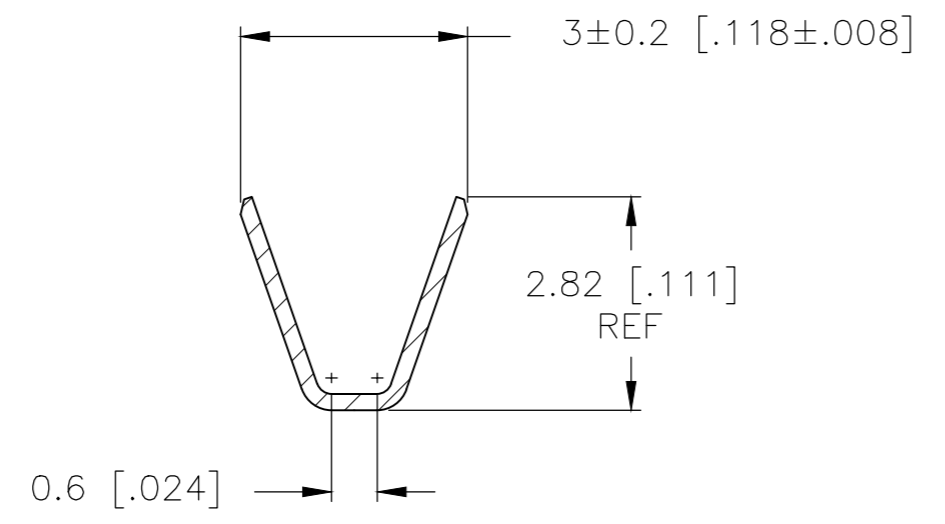
THIS DRAWING IS UNPUBLISHED. RELEASED FOR PUBLICATION
 © COPYRIGHT - By - ALL RIGHTS RESERVED.

REVISIONS					
P	LTR	DESCRIPTION	DATE	DWN	APVD
B3		REVISED PER ECR-17-017263	23NOV2017	JZ	DZ

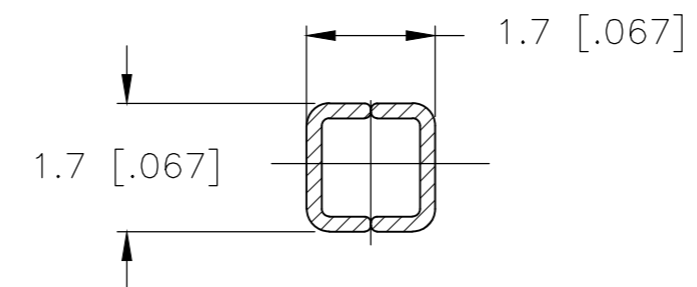
- 1 WIRE RANGE: 1.31mm² (16 AWG).
- 2 INSULATION RANGE: DIA 1.80-3.10 mm [.071-.122 in]
- 3 FINISH: 0.76µm MINIMUM GOLD OVER 1.27µm MINIMUM NICKEL REQUIRED ON INNER SURFACE, PERMITTED ON OUTER SURFACE.
- 4 FINISH: 2.54µm MINIMUM TIN ON ALL SURFACES IN THIS AREA.



SECTION A-A



SECTION B-B



SECTION C-C

GOLD 3 4	PHOS. BRZ.	1586841-4
PRE-TIN	PHOS. BRZ.	1586841-3
GOLD 3 4	BRASS	1586841-2
PRE-TIN	BRASS	1586841-1
FINISH:	MATERIAL:	PART NO.

THIS DRAWING IS A CONTROLLED DOCUMENT.		DWN K. WHITAKER 04APR2007	STE TE Connectivity	
DIMENSIONS: mm [INCHES]		CHK C. CASH 04APR2007		
TOLERANCES UNLESS OTHERWISE SPECIFIED:		APVD C. CASH 04APR2007	NAME TERMINAL VAL-U-LOK(TM) SOCKET (LOOSE PIECE)	
0 PLC ±		PRODUCT SPEC	SIZE A2	CAGE CODE 00779
1 PLC ± 0.2 [.01]		APPLICATION SPEC	DRAWING NO C=1586841	RESTRICTED TO -
2 PLC ± 0.13 [.005]		MATERIAL SEE TABLE	SCALE 10:1	SHEET 1 of 1
3 PLC ± 0.254 [.0100]		FINISH SEE TABLE	WEIGHT	REV B3
4 PLC ±		CUSTOMER DRAWING		
ANGLES ±				