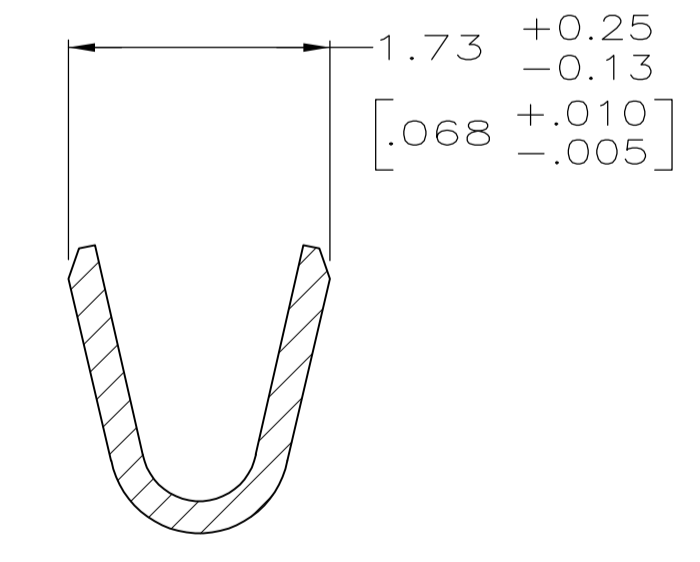


SECTION X-X
INSULATION BARREL
SCALE 20:1



SECTION Y-Y
WIRE BARREL
SCALE 20:1

- 1 FOR MINI-APPLICATOR AND STRIPPER CRIMPER.
- 2 FOR HAND TOOL USE ONLY.
- 3. WIRE RANGE OF 20-24 AWG. INSULATION RANGE OF 1.27/1.52 [.050-.060].
- 4. GOLD PLATING MAY NOT APPEAR ON CARRIER STRIP.
- 5 GOLD PLATED IN LOCALIZED GOLD PLATE AREA AS FOLLOWS:
0.76μm [.000030] MIN GOLD IN MATED AREA, 2.54μm [.000100] MIN TIN ON WIRE BARRELS, ALL OVER 1.27μm [.000050] MIN NICKEL UNDERPLATE.
OR
GOLD FLASH OVER PALLADIUM-NICKEL PLATE, 0.76μm [.000030] MIN TOTAL IN MATED AREA, 2.54μm [.000100] MIN TIN ON WIRE BARRELS, ALL OVER 1.27μm [.000050] MIN NICKEL UNDERPLATE.
- 6 GOLD FLASH IN LOCALIZED GOLD PLATE AREA, 2.54μm [.000100] MIN TIN PLATED WIRE BARRELS, ALL OVER 0.76μm [.000030] MIN NICKEL UNDERPLATE.
- 7 GOLD FLASH IN LOCALIZED GOLD PLATE AREA, 0.76μm [.000030] MIN TIN PLATED WIRE BARRELS, ALL OVER 0.76μm [.000030] MIN NICKEL UNDERPLATE.

| 1 | 1 | STRIP | 1658539-5 |
|--------|-----|-------------|-------------|
| 6 | 2 | LOOSE PIECE | 1658539-4 |
| 5 | 2 | LOOSE PIECE | 1658539-3 |
| 6 | 1 | STRIP | 1658539-2 |
| 5 | 1 | STRIP | 1658539-1 |
| FINISH | USE | TYPE | PART NUMBER |

THIS DRAWING IS A CONTROLLED DOCUMENT.

| | | | | | | | |
|-------------------------|--|-------------------|-----------|---------------------|-----------|-------------|------------|
| DIMENSIONS: mm [INCHES] | TOLERANCES UNLESS OTHERWISE SPECIFIED: | 0 PLC ± - | 1 PLC ± - | 2 PLC ± 0.13 [.005] | 3 PLC ± - | 4 PLC ± - | ANGLES ± - |
| MATERIAL: BRASS | | FINISH: SEE TABLE | | WEIGHT: - | | SCALE: 10:1 | |

| | | |
|-----------------------------|---------------|---------------------------|
| DESIGNED BY: R. SAMICK | DATE: 11AUG03 | TE Connectivity |
| CHK: S. BOLASH | 11AUG03 | |
| APPV: M. WALMSLEY | 11AUG03 | NAME: PIN CONTACT, 20 DF, |
| PRODUCT SPEC: 108-40005 | | 20-24 AWG, AMPLIMITE |
| APPLICATION SPEC: 114-10000 | | SIZE: A1 |
| CAGE CODE: 1658539 | | DRAWING NO: 1658539 |
| CUSTOMER DRAWING | SCALE: 10:1 | SHEET 1 OF 1 |