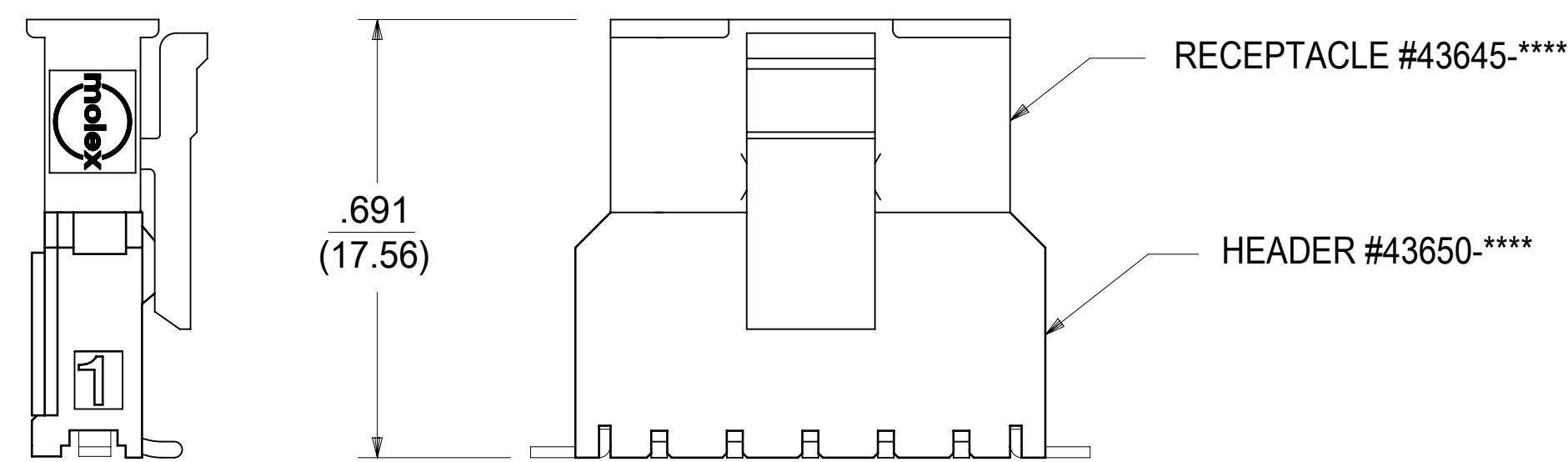


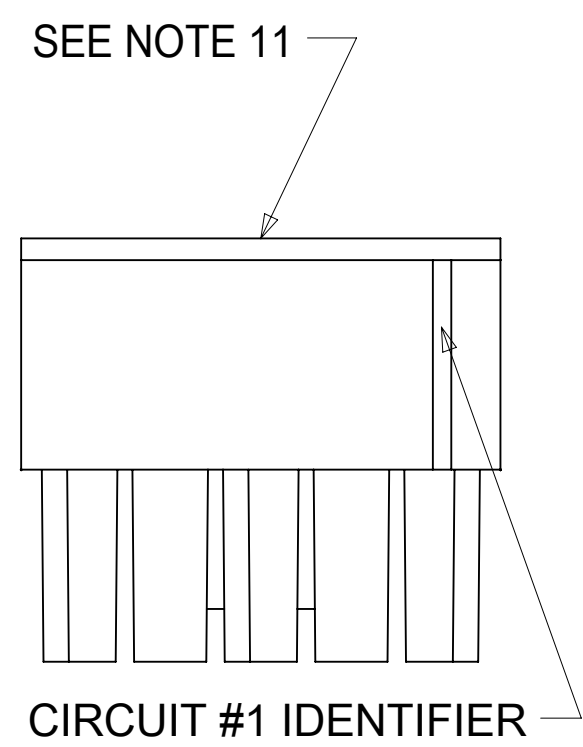
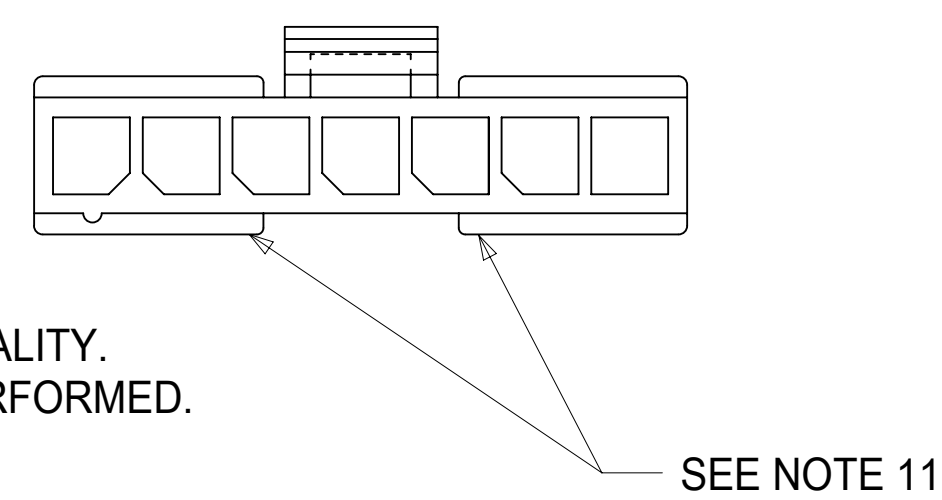
(3-12 CIRCUIT HOUSING)



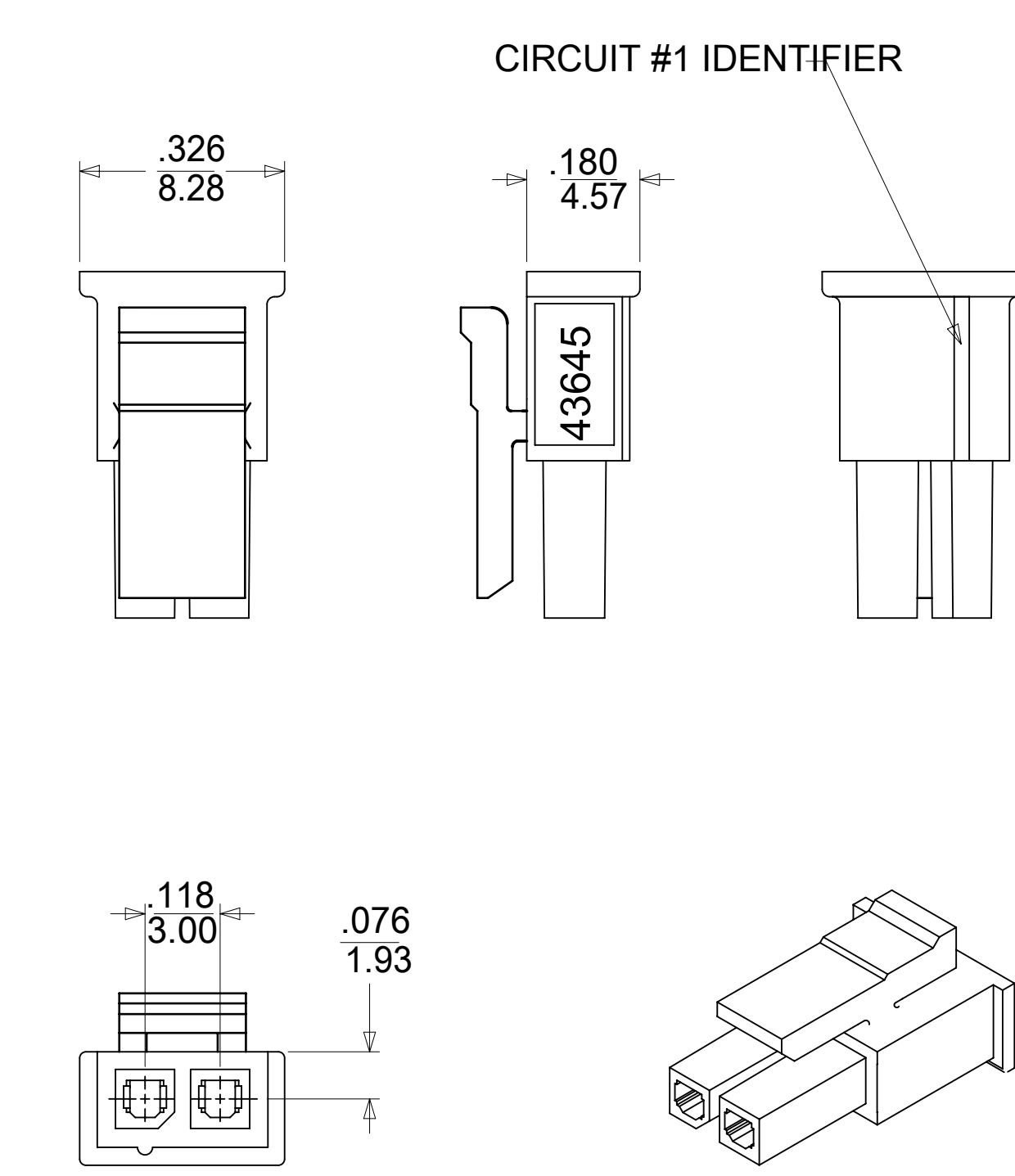
MATED MICRO-FIT CONNECTOR

NOTES:

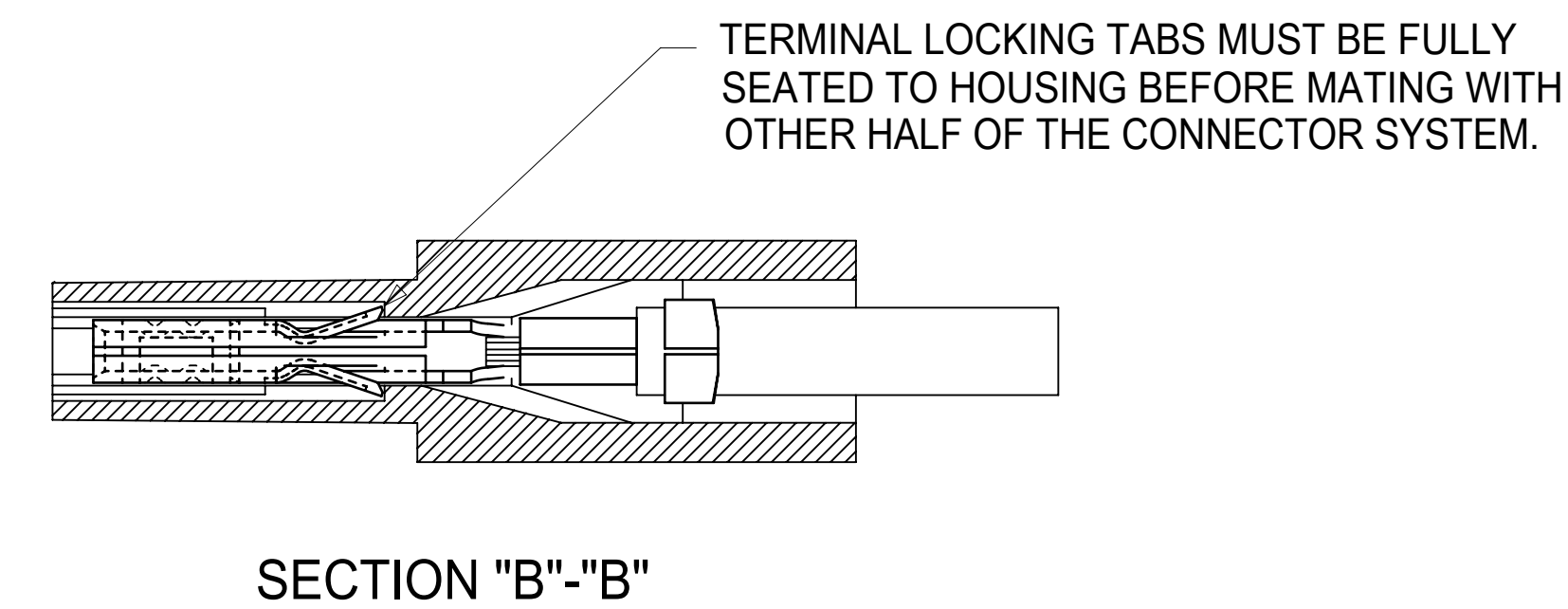
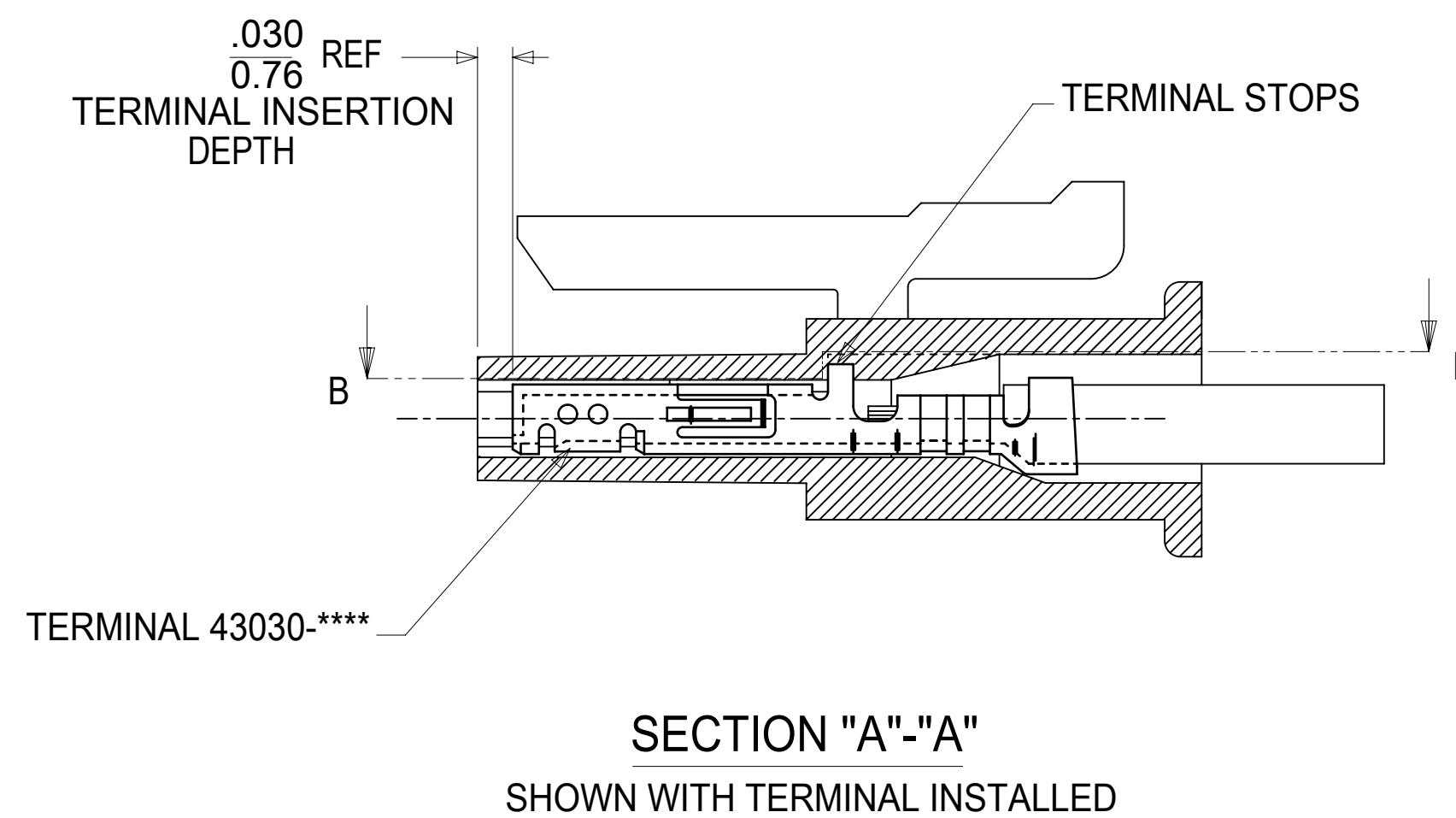
- HOUSING MATERIAL:
 "A" - UNFILLED POLYESTER, RATED U.L. 94V-0, COLOR IS BLACK.
 "B" - UNFILLED NYLON, RATED U.L. 94V-0, HALOGEN-FREE, COLOR IS BLACK.
- FINISH : N/A
- PRODUCT SPECIFICATION : PS-43650
- PACKAGING SPECIFICATION: PK-43645-001
- THIS RECEPTACLE ACCEPTS MOLEX MICRO FIT FEMALE CRIMP TERMINALS SERIES 43030 OR 46235,
- SEE SECTION "A"- "A" FOR TERMINAL ORIENTATION IN HOUSING.
- FOR OVERMOLDING PARAMETERS SEE APPLICATION SPECIFICATION 430250000-AS.
- THIS RECEPTACLE MATES WITH MOLEX PCB HEADER 43650 SERIES AND MOLEX PLUG 43640 SERIES (WIRE TO WIRE APPLICATIONS).
- SOME HOUSINGS MAY HAVE A SMALL GATE BLEMISH NEAR THE GATE LOCATION THAT DOES NOT AFFECT FUNCTIONALITY.
- MOLEX RECOMMENDS THE USE OF MICRO-FIT TEST PLUG, SERIES 44242-**** WHENEVER CONTINUITY TESTING IS PERFORMED. TEST PLUGS MUST NOT BE USED TO MAKE OR BREAK UNDER LOAD. MOLEX DOES NOT RECOMMEND USING STANDARD MATING COMPONENTS FOR HARNESS TESTING PURPOSES.
- THIS RIB IS DISCONTINUOUS ON CIRCUIT SIZES 7 THROUGH 12
- PART CONFORMS TO CLASS 'B' REQUIREMENTS OF COSMETIC SPECIFICATION PS-45499-002.
- TEXT ON PART IS FOR REFERENCE ONLY. TEXT AND TEXT LOCATION MAY VARY DEPENDING ON PART NUMBER AND/OR TOOL.
- PARTS MADE FROM MATERIAL "B" ARE CONSTRUCTED TO MEET THE REQUIREMENT FOR DIRECT SUPPORT OF UNINSULATED LIVE PARTS AS DESCRIBED IN UL61800-5-1.



FIRST CIRCUIT IDENTIFIER RIB
(ALL CIRCUIT SIZES)



(2 CIRCUIT HOUSING)



| ITEM NUMBER | NUMBER OF CIRCUIT | DIM. "A" | DIM. "B" | MATERIAL |
|-------------|-------------------|---------------|---------------|-------------|
| 43645-0200 | 02 | SEE DETAIL | .118/(3.00) | "B" |
| 43645-0300 | 03 | .388/(9.85) | .236/(6.00) | SEE NOTE 14 |
| 43645-0400 | 04 | .506/(12.85) | .354/(9.00) | "A" |
| 43645-0500 | 05 | .624/(15.85) | .472/(12.00) | |
| 43645-0600 | 06 | .742/(18.85) | .591/(15.00) | |
| 43645-0700 | 07 | .860/(21.85) | .709/(18.00) | |
| 43645-0800 | 08 | .978/(24.85) | .827/(21.00) | |
| 43645-0900 | 09 | 1.096/(27.85) | .945/(24.00) | |
| 43645-1000 | 10 | 1.215/(30.85) | 1.063/(27.00) | |
| 43645-1100 | 11 | 1.333/(33.85) | 1.181/(30.00) | |
| 43645-1200 | 12 | 1.451/(36.85) | 1.299/(33.00) | |

| | | | | | | | | | | | | | | | | |
|--|---|------------------------|---------------------------------------|-------------|---|------------|----------------|---------------|----------|---------------|------------|---------------------|----------------|-----|--------|--|
| FUNCTIONAL SYMBOLS FA = 0 FC = 0 FD = 0 | THIS DRAWING CONTAINS INFORMATION THAT IS PROPRIETARY TO MOLEX ELECTRONIC TECHNOLOGIES, LLC AND SHOULD NOT BE USED WITHOUT WRITTEN PERMISSION | | CURRENT REV DESC: ADD NOTE 14 | | | | | | | | | | | | | |
| | DIMENSION UNITS | SCALE | GENERAL TOLERANCES (UNLESS SPECIFIED) | | | | | | | | | | | | | |
| | INCH/MM | 4:1 | MM | INCH | | | | | | | | | | | | |
| | 4 PLACES ± | ± | 3 PLACES ± | ± 0.01 | | | | | | | | | | | | |
| DIVISIONAL SYMBOLS | 2 PLACES ± | 0.25 ± | 0.014 | 1 PLACE ± | 0.35 ± | 0 PLACES ± | ± | ANGULAR TOL ± | 0.5 ° | EC NO: 724017 | 2022/09/14 | 436450000-SD | PSD | 000 | A1 | |
| DRAFT WHERE APPLICABLE MUST REMAIN WITHIN DIMENSIONS | | THIRD ANGLE PROJECTION | | DRWN: A.F.G | 1995/11/15 | DOC NUMBER | DOC TYPE | DOC PART | REVISION | | | | | | | |
| D-DRAWING | | SERIES | | APPR: R.J.F | 1995/11/15 | 43645 | GENERAL MARKET | SHEET NUMBER | | | | | | | | |
| DOCUMENT STATUS | P1 | RELEASE DATE | 2022/10/17 | 15:33:50 | THIS DRAWING REPLACES DRAWING SDA-43645-++++. | | D-D-SIZE | | 43645 | | SEE CHART | | GENERAL MARKET | | 1 OF 1 | |