

OPTIREG™ Linear TLE42994

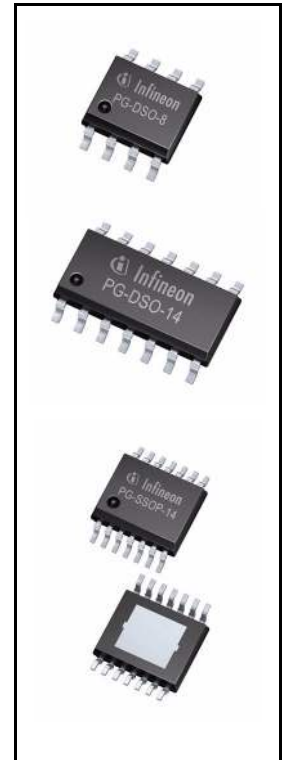
5 V low drop fixed voltage regulator



1 Overview

Features

- Output voltage 5 V \pm 2%
- Output current up to 150 mA
- Extreme low current consumption in ON state
- Enable function: Below 1 μ A current consumption in OFF state
- Early warning
- Power-on and undervoltage reset with programmable delay time
- Reset low down to $V_Q = 1$ V
- Adjustable reset threshold
- Very low dropout voltage
- Output current limitation
- Reverse polarity protection
- Overtemperature protection
- Suitable for use in automotive electronics
- Wide temperature range from -40°C up to 150°C
- Input voltage range from 5.5 V to 45 V
- Green Product (RoHS compliant)



Potential applications

General automotive applications.

Product validation

Qualified for automotive applications. Product validation according to AEC-Q100/101.

Description

The TLE42994 is a monolithic integrated low dropout voltage regulator, especially designed for automotive applications that need to be in ON state during the car's engine is turned off. An input voltage up to 45 V is regulated to an output voltage of 5.0 V. The component is able to drive loads up to 150 mA. It is short-circuit protected by the implemented current limitation and has an integrated overtemperature shutdown. A reset

Overview

signal is generated for an output voltage $V_{Q,rt}$ of typically 4.65 V. This threshold can be decreased by an external resistor divider. The power-on reset delay time can be programmed by the external delay capacitor. The additional sense comparator provides an early warning function: Any voltage (e.g. the input voltage) can be monitored, an undervoltage condition is indicated by setting the comparator's output to low. The TLE42994GM (PG-DSO-14 package) and TLE42994E (PG-SSOP-14 exposed pad package) include additionally an Enable function permitting enabling/disabling the regulator. In case the regulator is disabled it consumes less current than 1 μ A.

Dimensioning information on external components

The input capacitor C_I is recommended for compensation of line influences. The output capacitor C_Q is necessary for the stability of the control loop.

Circuit description

The control amplifier compares a reference voltage to a voltage that is proportional to the output voltage and drives the base of the series transistor via a buffer. Saturation control as a function of the load current prevents any oversaturation of the power element. The component also has a number of internal circuits for protection against:

- Overload
- Overtemperature
- Reverse polarity

Type	Package	Marking
TLE42994E	PG-SSOP-14 exposed pad	42994E
TLE42994GM	PG-DSO-14	42994GM
TLE42994G	PG-DSO-8	42994G

Block diagram

2 Block diagram

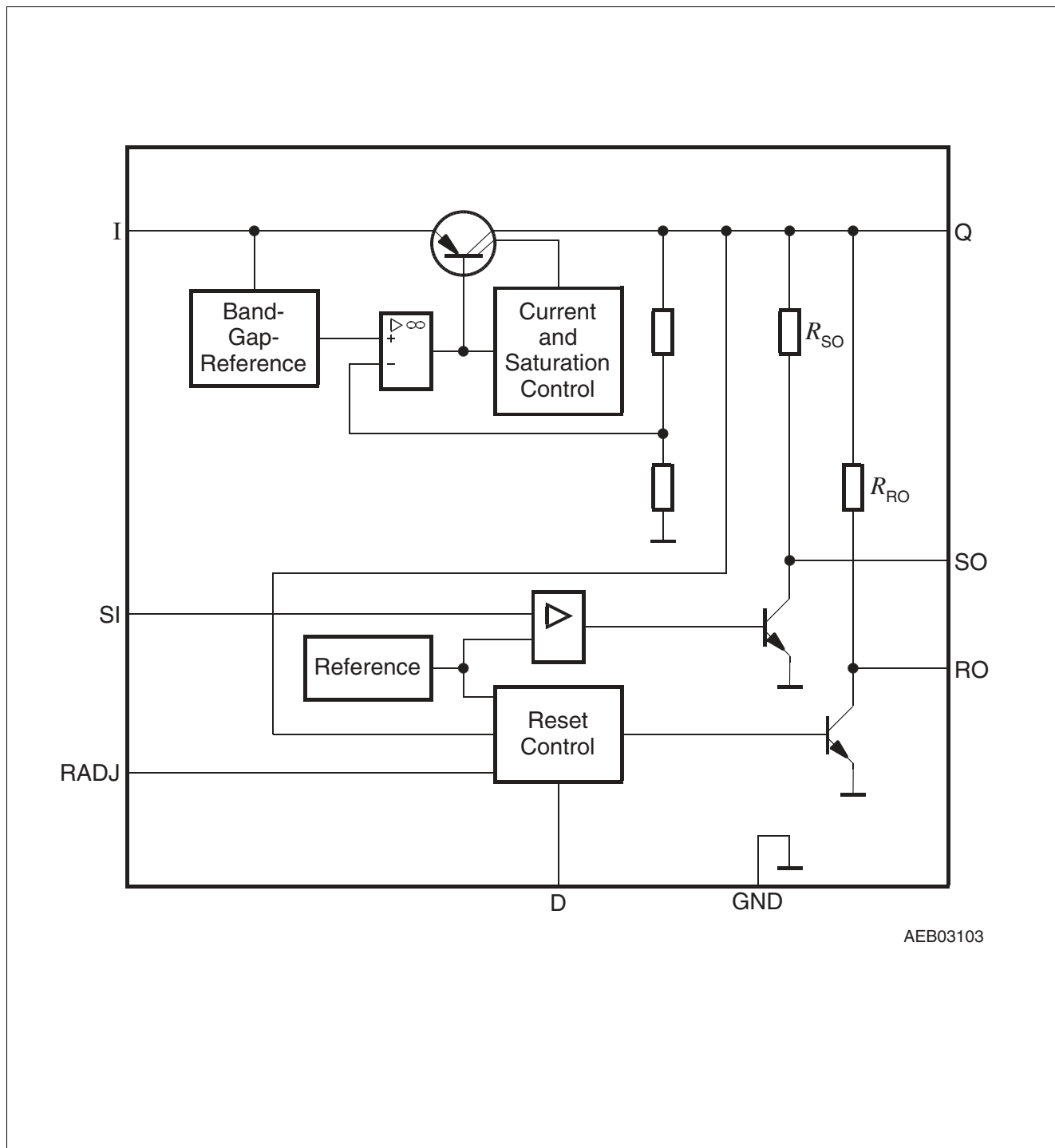


Figure 1 Block diagram TLE42994G (package PG-DSO-8)

Block diagram

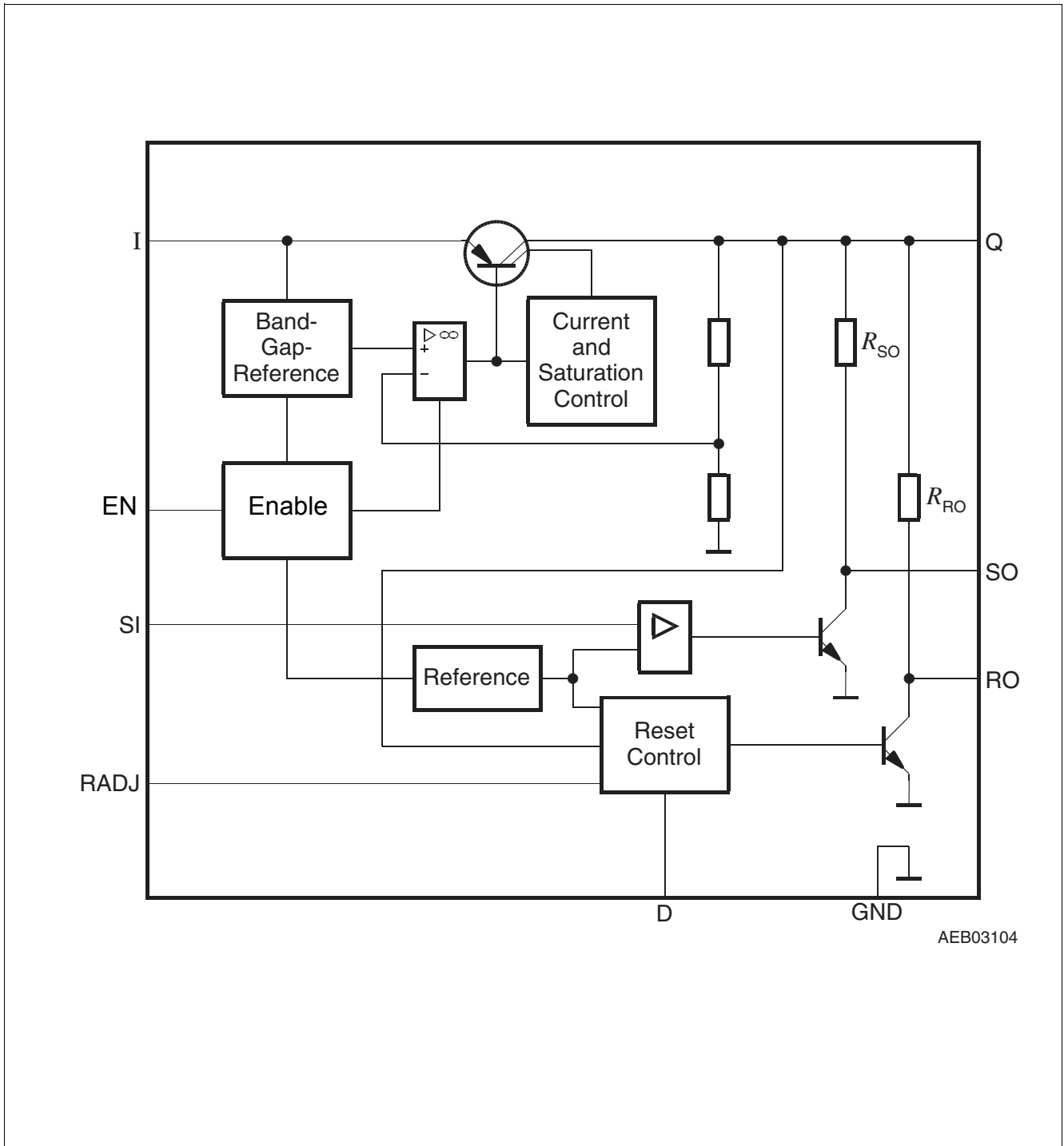


Figure 2 Block diagram TLE42994GM, TLE42994E (packages PG-DSO-14, PG-SSOP-14 exposed pad)

Pin configuration

3 Pin configuration

3.1 Pin assignment TLE42994G (PG-DSO-8)

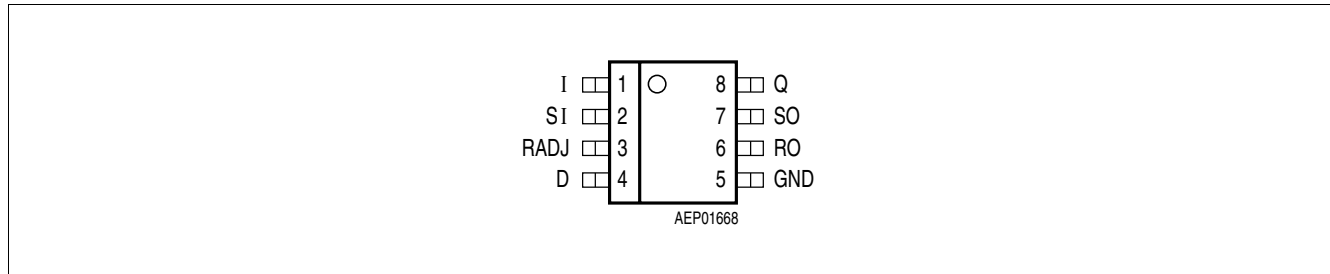


Figure 3 Pin configuration (top view)

3.2 Pin definitions and functions TLE42994G (PG-DSO-8)

Pin	Symbol	Function
1	I	Input for compensating line influences, a capacitor to GND close to the IC terminals is recommended
2	SI	Sense input connect the voltage to be monitored; connect to Q if the sense comparator is not needed
3	RADJ	Reset threshold adjust connect an external voltage divider to adjust reset threshold; connect to GND for using internal threshold
4	D	Reset delay timing connect a ceramic capacitor to GND for adjusting the reset delay time; leave open if the reset function is not needed
5	GND	Ground
6	RO	Reset output open collector output; internally linked to the output via a 20 kΩ pull-up resistor; leave open if the reset function is not needed
7	SO	Sense output open collector output; internally linked to the output via a 20 kΩ pull-up resistor; leave open if the sense comparator is not needed
8	Q	Output block to GND with a capacitor close to the IC terminals, respecting the values given for its capacitance C_Q and ESR in “Functional range” on Page 11

Pin configuration

3.3 Pin assignment TLE42994GM (PG-DSO-14)

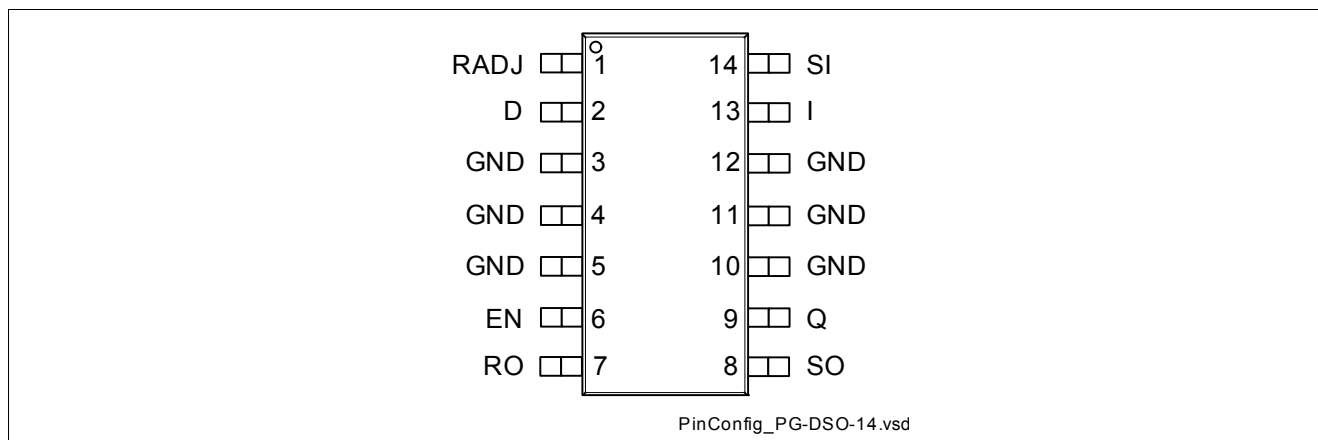


Figure 4 Pin configuration (top view)

3.4 Pin definitions and functions TLE42994GM (PG-DSO-14)

Pin	Symbol	Function
1	RADJ	Reset threshold adjust connect an external voltage divider to adjust reset threshold; connect to GND for using internal threshold
2	D	Reset delay timing connect a ceramic capacitor to GND for adjusting the reset delay time; leave open if the reset function is not needed
3, 4, 5	GND	Ground connect all pins to PCB and heatsink area
6	EN	Enable high signal enables the regulator; low signal disables the regulator; connect to I if the Enable function is not needed
7	RO	Reset output open collector output; internally linked to the output via a 20kΩ pull-up resistor; leave open if the reset function is not needed
8	SO	Sense output open collector output; internally linked to the output via a 20kΩ pull-up resistor; leave open if the sense comparator is not needed
9	Q	Output block to GND with a capacitor close to the IC terminals, respecting the values given for its capacitance C_Q and ESR in the table “Functional range” on Page 11
10, 11, 12	GND	Ground connect all pins to PCB and heatsink area

Pin configuration

Pin	Symbol	Function
13	I	Input for compensating line influences, a capacitor to GND close to the IC terminals is recommended
14	SI	Sense input connect the voltage to be monitored; connect to Q if the sense comparator is not needed

Pin configuration

3.5 Pin assignment TLE42994E (PG-SSOP-14 exposed pad)

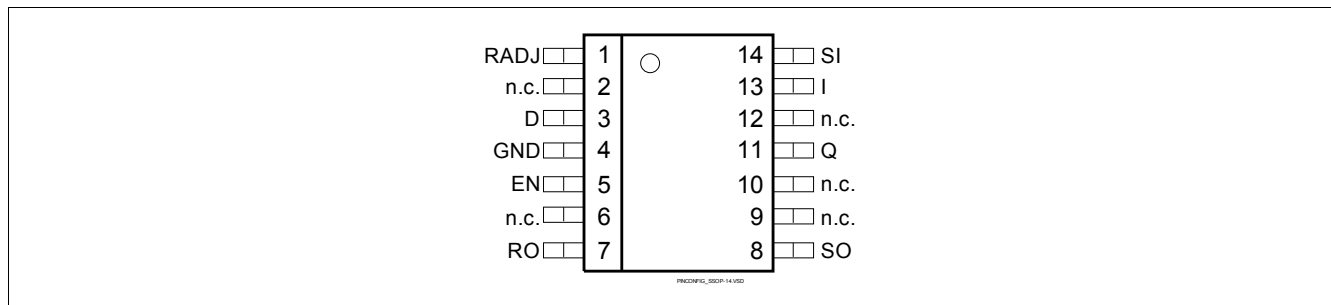


Figure 5 Pin configuration (top view)

3.6 Pin definitions and functions TLE42994E (PG-SSOP-14 exposed pad)

Pin	Symbol	Function
1	RADJ	Reset threshold adjust connect an external voltage divider to adjust reset threshold; connect to GND for using internal threshold
2, 6	n.c.	Not connected leave open or connect to GND
3	D	Reset delay timing connect a ceramic capacitor to GND for adjusting the reset delay time; leave open if the reset function is not needed
4	GND	Ground connect all pins to PCB and heatsink area
5	EN	Enable high signal enables the regulator; low signal disables the regulator; connect to I if the Enable function is not needed
7	RO	Reset output open collector output; internally linked to the output via a 20kΩ pull-up resistor; leave open if the reset function is not needed
8	SO	Sense output open collector output; internally linked to the output via a 20kΩ pull-up resistor; leave open if the sense comparator is not needed
9, 10, 12	n.c.	Not connected leave open or connect to GND
11	Q	Output block to GND with a capacitor close to the IC terminals, respecting the values given for its capacitance C_Q and ESR in the table “Functional range” on Page 11
13	I	Input for compensating line influences, a capacitor to GND close to the IC terminals is recommended

OPTIREG™ Linear TLE42994
5 V low drop fixed voltage regulator



Pin configuration

Pin	Symbol	Function
14	SI	Sense input connect the voltage to be monitored; connect to Q if the sense comparator is not needed
PAD	–	Exposed pad attach the exposed pad on package bottom to the heatsink area on circuit board; connect to GND

General product characteristics

4 General product characteristics

4.1 Absolute maximum ratings

Table 1 Absolute maximum ratings¹⁾

-40 °C ≤ T_j ≤ 150°C; all voltages with respect to ground, positive current flowing into pin (unless otherwise specified)

Parameter	Symbol	Values			Unit	Note or Test Condition	Number
		Min.	Typ.	Max.			
Input I, enable Input EN, sense input SI							
Voltage	V _I , V _{EN} , V _{SI}	-40	-	45	V	-	P_4.1.1
Output Q, reset output RO, sense output SO							
Voltage	V _Q , V _{RO} , V _{SO}	-0.3	-	7	V	-	P_4.1.2
Reset delay D, reset threshold RADJ							
Voltage	V _D , V _{RADJ}	-0.3	-	7	V	-	P_4.1.3
Temperature							
Junction temperature	T _j	-40	-	150	°C	-	P_4.1.4
Storage temperature	T _{stg}	-50	-	150	°C	-	P_4.1.5
ESD absorption							
ESD absorption	V _{ESD,HBM}	-2	-	2	kV	Human body model (HBM) ²⁾	P_4.1.6
ESD absorption	V _{ESD,CDM}	-500	-	500	V	Charge device model (CDM) ³⁾	P_4.1.7
ESD absorption	V _{ESD,CDM}	-750	-	750	V	Charge device model (CDM) ³⁾ at corner pins	P_4.1.8

1) Not subject to production test, specified by design

2) ESD susceptibility human body model "HBM" according to AEC-Q100-002 - JESD22-A114

3) ESD susceptibility charged device model "CDM" according to ESDA STM5.3.1

Notes

1. Stresses above the ones listed here may cause permanent damage to the device. Exposure to absolute maximum rating conditions for extended periods may affect device reliability.
2. Integrated protection functions are designed to prevent IC destruction under fault conditions described in the data sheet. Fault conditions are considered as "outside" normal operating range. Protection functions are not designed for continuous repetitive operation.

General product characteristics

4.2 Functional range

Table 2 Functional range

Parameter	Symbol	Values			Unit	Note or Test Condition	Number
		Min.	Typ.	Max.			
Input voltage	V_I	5.5	–	45	V	–	P_4.2.1
Output capacitor's requirements for stability	C_Q	22	–	–	μF	– ¹⁾	P_4.2.2
Output capacitor's requirements for stability	$ESR(C_Q)$	–	–	3	Ω	– ²⁾	P_4.2.3
Junction temperature	T_j	-40	–	150	$^{\circ}\text{C}$	–	P_4.2.4

1) The minimum output capacitance requirement is applicable for a worst case capacitance tolerance of 30%

2) Relevant ESR value at $f = 10$ kHz

Note: Within the functional range the IC operates as described in the circuit description. The electrical characteristics are specified within the conditions given in the related electrical characteristics table.

General product characteristics

4.3 Thermal resistance

Table 3 Thermal resistance

Parameter	Symbol	Values			Unit	Note or Test Condition	Number
		Min.	Typ.	Max.			
TLE42994G (PG-DSO-8)							
Junction to soldering point ¹⁾	R_{thJSP}	–	–	60	K/W	measured to pin 5	P_4.3.1
Junction to ambient ¹⁾	R_{thJA}	–	113	–	K/W	FR4 2s2p board ²⁾	P_4.3.2
Junction to ambient ¹⁾	R_{thJA}	–	185	–	K/W	FR4 1s0p board, footprint only ³⁾	P_4.3.3
Junction to ambient ¹⁾	R_{thJA}	–	142	–	K/W	FR4 1s0p board, 300mm ² heatsink area on PCB ³⁾	P_4.3.4
Junction to ambient ¹⁾	R_{thJA}	–	136	–	K/W	FR4 1s0p board, 600mm ² heatsink area on PCB ³⁾	P_4.3.5
TLE42994GM (PG-DSO-14)							
Junction to soldering point ¹⁾	R_{thJSP}	–	–	30	K/W	measured to all GND pins	P_4.3.6
Junction to ambient ¹⁾	R_{thJA}	–	63	–	K/W	FR4 2s2p board ²⁾	P_4.3.7
Junction to ambient ¹⁾	R_{thJA}	–	112	–	K/W	FR4 1s0p board, footprint only ³⁾	P_4.3.8
Junction to ambient ¹⁾	R_{thJA}	–	73	–	K/W	FR4 1s0p board, 300mm ² heatsink area on PCB ³⁾	P_4.3.9
Junction to ambient ¹⁾	R_{thJA}	–	65	–	K/W	FR4 1s0p board, 600mm ² heatsink area on PCB ³⁾	P_4.3.10
TLE42994E (PG-SSOP-14 exposed pad)							
Junction to case ¹⁾	R_{thJC}	–	10	–	K/W	–	P_4.3.11
Junction to ambient ¹⁾	R_{thJA}	–	47	–	K/W	FR4 2s2p board ²⁾	P_4.3.12
Junction to ambient ¹⁾	R_{thJA}	–	140	–	K/W	FR4 1s0p board, footprint only ³⁾	P_4.3.13
Junction to ambient ¹⁾	R_{thJA}	–	63	–	K/W	FR4 1s0p board, 300mm ² heatsink area on PCB ³⁾	P_4.3.14
Junction to ambient ¹⁾	R_{thJA}	–	53	–	K/W	FR4 1s0p board, 600mm ² heatsink area on PCB ³⁾	P_4.3.15

1) Not subject to production test, specified by design

2) Specified R_{thJA} value is according to Jedec JESD51-2,-5,-7 at natural convection on FR4 2s2p board; The Product (Chip+Package) was simulated on a 76.2 x 114.3 x 1.5 mm³ board with 2 inner copper layers (2 x 70µm Cu, 2 x 35µm Cu). Where applicable a thermal via array under the exposed pad contacted the first inner copper layer.

3) Specified R_{thJA} value is according to JEDEC JESD 51-3 at natural convection on FR4 1s0p board; The Product (Chip+Package) was simulated on a 76.2 x 114.3 x 1.5 mm³ board with 1 copper layer (1 x 70µm Cu).

5 Block description and electrical characteristics

5.1 Voltage regulator

The output voltage V_Q is controlled by comparing a portion of it to an internal reference and driving a PNP pass transistor accordingly. The control loop stability depends on the output capacitor C_Q , the load current, the chip temperature and the poles/zeros introduced by the integrated circuit. To ensure stable operation, the output capacitor's capacitance and its equivalent series resistor ESR requirements given in the table **"Functional range" on Page 11** have to be maintained. For details see also the typical performance graph **"Output capacitor series resistor ESR(C_Q) versus output current I_Q " on Page 16**. As the output capacitor also has to buffer load steps it should be sized according to the application's needs.

An input capacitor C_I is strongly recommended to compensate line influences. Connect the capacitors close to the component's terminals.

A protection circuitry prevents the IC as well as the application from destruction in case of catastrophic events. These safeguards contain an output current limitation, a reverse polarity protection as well as a thermal shutdown in case of overtemperature.

To avoid excessive power dissipation that could never be handled by the pass element and the package, the maximum output current is decreased at input voltages above $V_I = 22$ V.

The overtemperature shutdown circuit prevents the IC from immediate destruction under fault conditions (e.g. output continuously short-circuited) by switching off the power stage. After the chip has cooled down, the regulator restarts. This leads to an oscillatory behavior of the output voltage until the fault is removed. However, junction temperatures above 150 °C are outside the maximum ratings and therefore significantly reduce the IC's lifetime.

The TLE42994 allows a negative supply voltage. In this fault condition, small currents are flowing into the IC, increasing its junction temperature. This has to be considered for the thermal design, respecting that the thermal protection circuit is not operating during reverse polarity conditions.

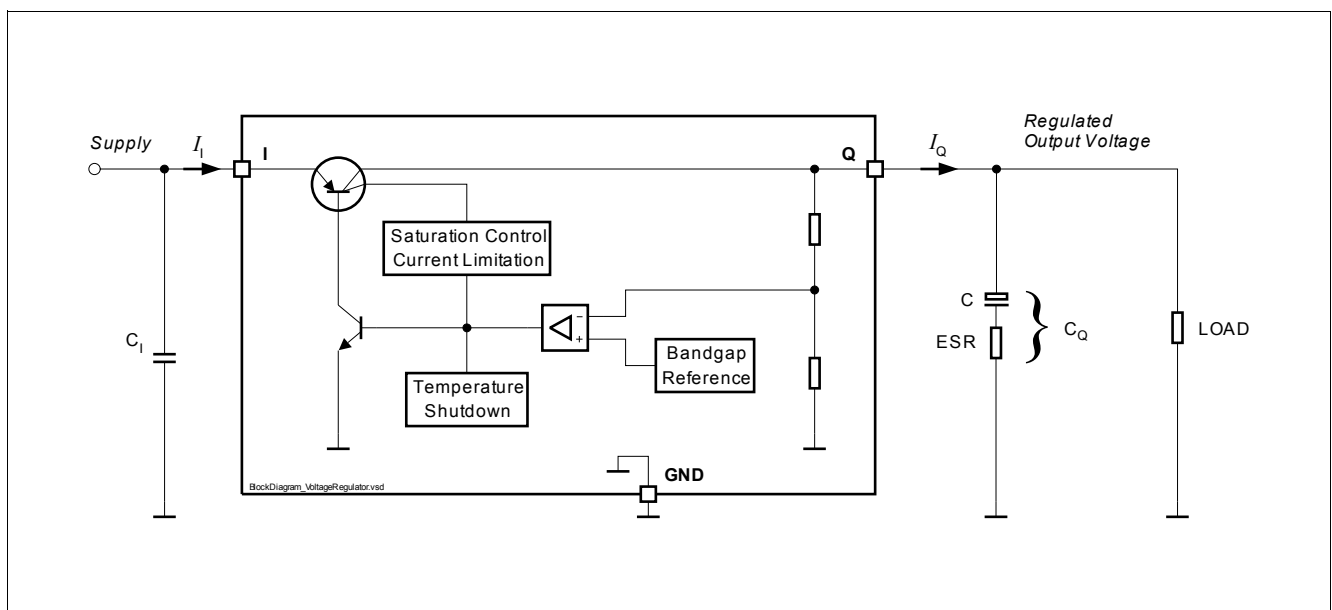


Figure 6 Voltage regulator

Block description and electrical characteristics

Table 4 Electrical characteristics voltage regulator

$V_I = 13.5\text{ V}$, $-40\text{ °C} \leq T_j \leq 150\text{ °C}$, all voltages with respect to ground, positive current flowing into pin (unless otherwise specified)

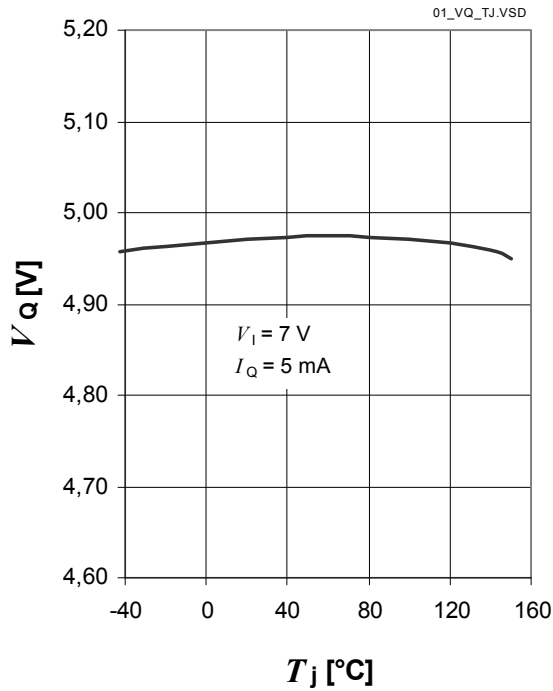
Parameter	Symbol	Values			Unit	Note or Test Condition	Number
		Min.	Typ.	Max.			
Output voltage	V_Q	4.9	5.0	5.1	V	$100\ \mu\text{A} < I_Q < 100\ \text{mA}$ $6\ \text{V} < V_I < 18\ \text{V}$	P_5.1.1
Output voltage	V_Q	4.85	5.0	5.15		$100\ \mu\text{A} < I_Q < 150\ \text{mA}$ $6\ \text{V} < V_I < 18\ \text{V}$	P_5.1.2
Output current limitation	$I_{Q,\text{max}}$	150	400	500	mA	$V_Q = 4.8\text{V}$	P_5.1.3
Load regulation steady-state	$\Delta V_{Q,\text{load}}$	-30	-5	-	mV	$I_Q = 1\ \text{mA}$ to $100\ \text{mA}$ $V_I = 6\ \text{V}$	P_5.1.4
Line regulation steady-state	$\Delta V_{Q,\text{line}}$	-	10	25	mV	$V_I = 6\ \text{V}$ to $32\ \text{V}$ $I_Q = 1\ \text{mA}$	P_5.1.5
Dropout voltage ¹⁾ $V_{\text{dr}} = V_I - V_Q$	V_{dr}	-	220	500	mV	$I_Q = 100\ \text{mA}$	P_5.1.6
Overtemperature shutdown threshold	$T_{j,\text{sd}}$	151	-	200	°C	T_j increasing ²⁾	P_5.1.7
Overtemperature shutdown threshold hysteresis	$T_{j,\text{sdh}}$	-	15	-	°C	T_j decreasing ²⁾	P_5.1.8
Power supply ripple rejection ²⁾	$PSRR$	-	66	-	dB	$f_{\text{ripple}} = 100\ \text{Hz}$ $V_{\text{ripple}} = 1\ V_{\text{pp}}$ $I_Q = 100\ \text{mA}$	P_5.1.9

1) Measured when the output voltage V_Q has dropped 100 mV from the nominal value obtained at $V_I = 13.5\ \text{V}$

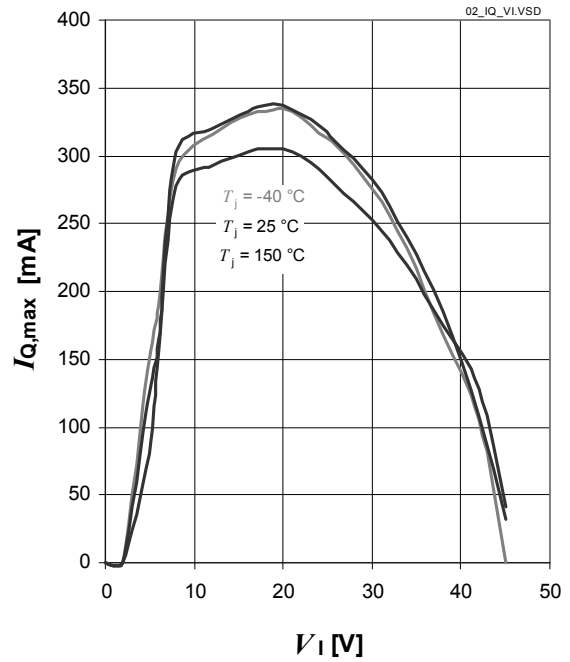
2) Not subject to production test, specified by design

5.2 Typical performance characteristics voltage regulator

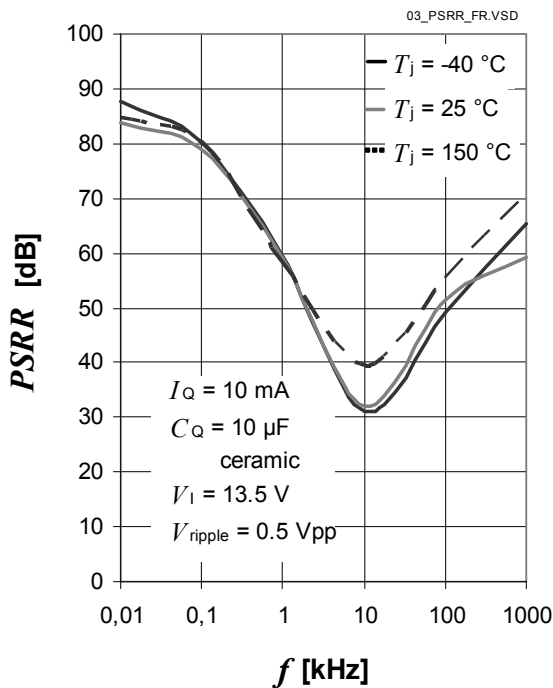
Output voltage V_Q versus junction temperature T_j



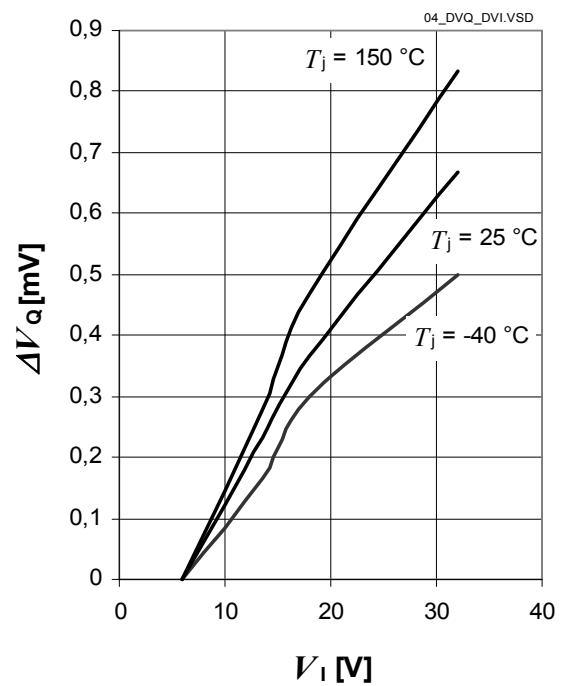
Output current I_Q versus input voltage V_I



Power supply ripple rejection $PSRR$ versus ripple frequency f_r

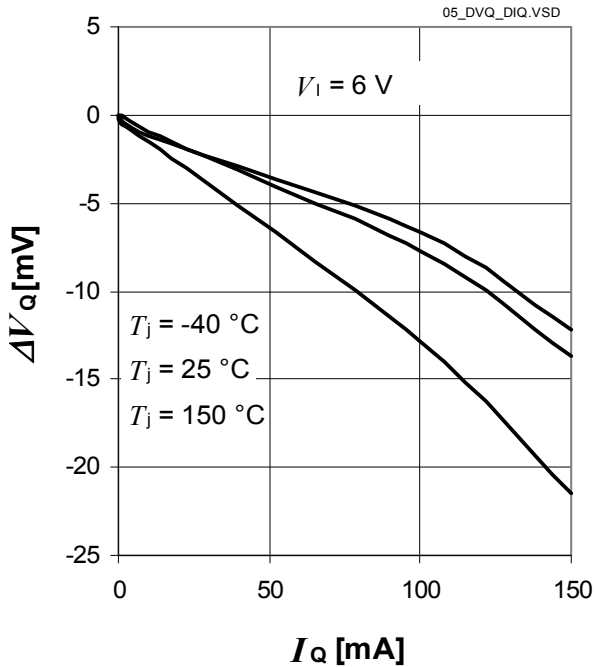


Line regulation $\Delta V_{Q,line}$ versus input voltage change ΔV_I

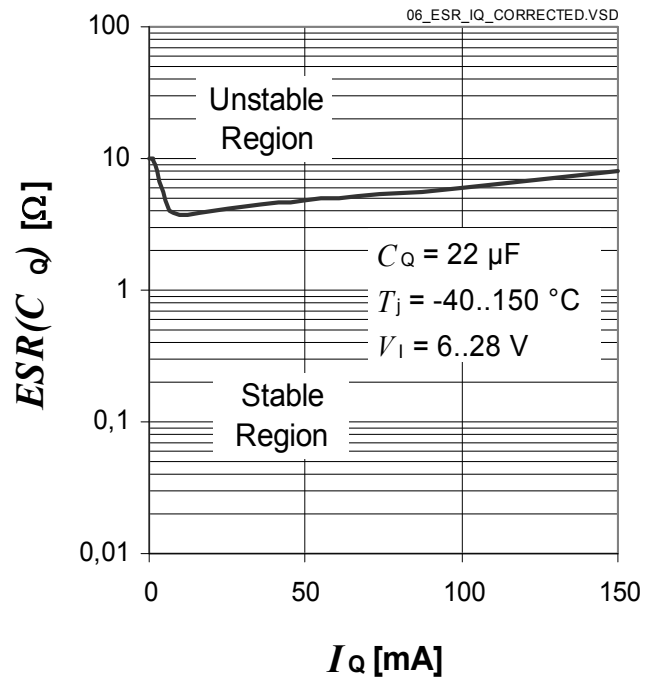


Block description and electrical characteristics

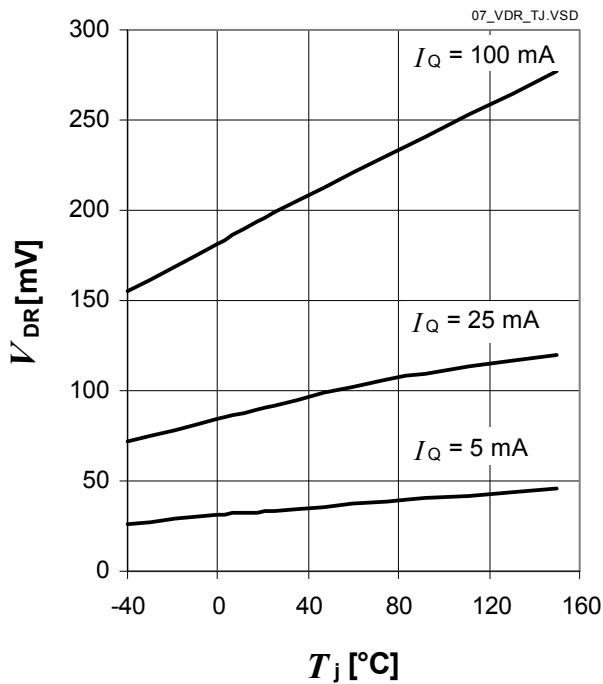
Load regulation $\Delta V_{Q,load}$ versus output current change ΔI_Q



Output capacitor series resistor $ESR(C_Q)$ versus output current I_Q



Dropout voltage V_{dr} versus junction temperature T_j



Block description and electrical characteristics

5.3 Current consumption

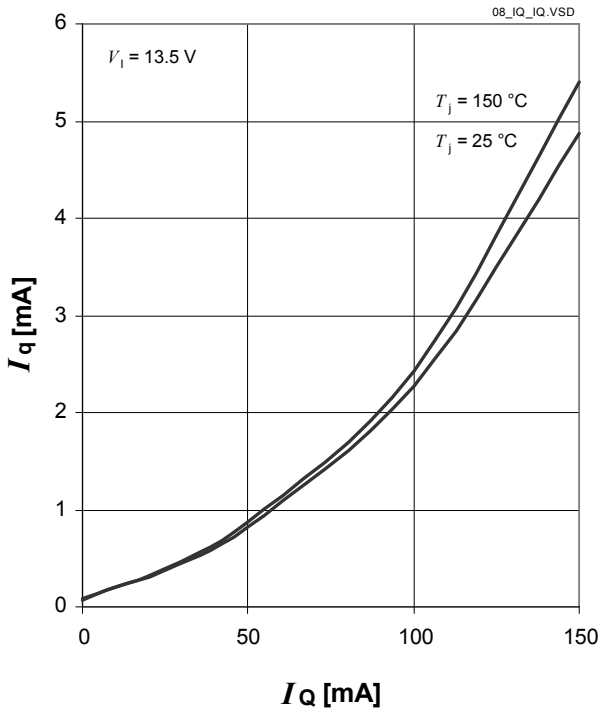
Table 5 Electrical characteristics voltage regulator

$V_I = 13.5\text{ V}$, $-40\text{ °C} \leq T_j \leq 150\text{ °C}$, all voltages with respect to ground, positive current flowing into pin (unless otherwise specified)

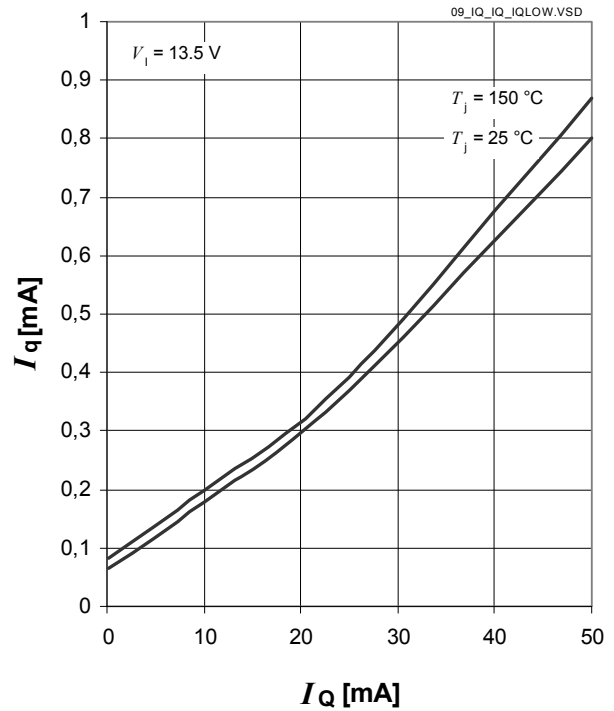
Parameter	Symbol	Values			Unit	Note or Test Condition	Number
		Min.	Typ.	Max.			
Current consumption $I_q = I_I - I_Q$	I_q	–	–	1	μA	$V_{\text{EN}} = 0\text{ V}$ TLE42994GM and TLE42994E only $T_j = 25\text{ °C}$	P_5.4.1
Current consumption $I_q = I_I - I_Q$	I_q	–	65	100	μA	Enable HIGH $I_Q = 100\text{ }\mu\text{A}$, $T_j = 25\text{ °C}$	P_5.4.2
Current consumption $I_q = I_I - I_Q$	I_q	–	65	105	μA	Enable HIGH $I_Q = 100\text{ }\mu\text{A}$, $T_j \leq 85\text{ °C}$	P_5.4.3
Current consumption $I_q = I_I - I_Q$	I_q	–	0.17	0.5	mA	Enable HIGH $I_Q = 10\text{ mA}$	P_5.4.4
Current consumption $I_q = I_I - I_Q$	I_q	–	0.7	2	mA	Enable HIGH $I_Q = 50\text{ mA}$	P_5.4.5

5.4 Typical performance characteristics current consumption

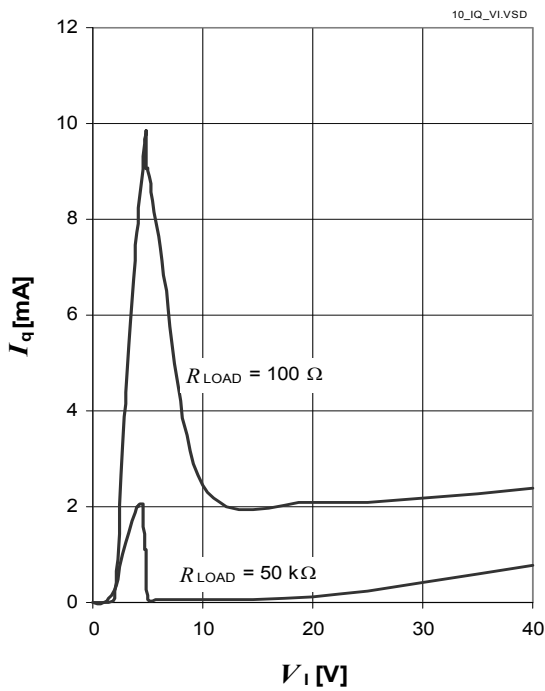
Current consumption I_q versus output current I_Q



Current consumption I_q versus output current I_Q (I_Q low)



Current consumption I_q versus input voltage V_i



Block description and electrical characteristics

5.5 Enable function (only TLE42994GM and TLE42994E)

Table 6 Electrical characteristics voltage regulator

$V_I = 13.5\text{ V}$, $-40\text{ °C} \leq T_j \leq 150\text{ °C}$, all voltages with respect to ground, positive current flowing into pin (unless otherwise specified)

Parameter	Symbol	Values			Unit	Note or Test Condition	Number
		Min.	Typ.	Max.			
Enable OFF voltage range	$V_{EN,OFF}$	–	–	0.8	V	–	P_5.6.1
Enable ON voltage range	$V_{EN,ON}$	3.5	–	–	V	–	P_5.6.2
Enable OFF input current	$I_{EN,OFF}$	–	0.5	2	μA	$V_{EN} = 0\text{ V}$	P_5.6.3
Enable ON input current	$I_{EN,ON}$	–	3	5	μA	$V_{EN} = 5\text{ V}$	P_5.6.4

Block description and electrical characteristics

5.6 Reset function

The reset function provides several features:

Output undervoltage reset:

An output undervoltage condition is indicated by setting the Reset Output RO to “low”. This signal might be used to reset a microcontroller during low supply voltage.

Power-on reset delay time:

The power-on reset delay time t_{rd} allows a microcontroller and oscillator to start up. This delay time is the time frame from exceeding the reset switching threshold V_{RT} until the reset is released by switching the reset output “RO” from “low” to “high”. The power-on reset delay time t_{rd} is defined by an external delay capacitor C_D connected to pin D charged by the delay capacitor charge current $I_{D,ch}$ starting from $V_D = 0 V$.

If the application needs a power-on reset delay time t_{rd} different from the value given in **Power-on reset delay time**, the delay capacitor’s value can be derived from the specified values in **Power-on reset delay time** and the desired power-on delay time:

(5.1)

$$C_D = \frac{t_{rd,new}}{t_{rd}} \times 100nF$$

with

- C_D : capacitance of the delay capacitor to be chosen
- $t_{rd,new}$: desired power-on reset delay time
- t_{rd} : power-on reset delay time specified in this datasheet

For a precise calculation also take the delay capacitor’s tolerance into consideration.

Reset reaction time:

The reset reaction time avoids that short undervoltage spikes trigger an unwanted reset “low” signal. The reset reaction time t_{rr} considers the internal reaction time $t_{rr,int}$ and the discharge time $t_{rr,d}$ defined by the external delay capacitor C_D (see typical performance graph for details). Hence, the total reset reaction time becomes:

(5.2)

$$t_{rr} = t_{rd,int} + t_{rr,d}$$

with

- t_{rr} : reset reaction time
- $t_{rr,int}$: internal reset reaction time
- $t_{rr,d}$: reset discharge

Optional reset output pull-up resistor $R_{RO,ext}$:

The Reset Output RO is an open collector output with an integrated pull-up resistor. If needed, an external pull-up resistor to the output Q can be added. In **Table 7 “Electrical characteristics reset function” on Page 23** a minimum value for the external resistor $R_{RO,ext}$ is given.

Block description and electrical characteristics

Reset adjust function

The undervoltage reset switching threshold can be adjusted according to the application’s needs by connecting an external voltage divider (R_{ADJ1}, R_{ADJ2}) at pin RADJ. For selecting the default threshold connect pin RADJ to GND.

When dimensioning the voltage divider, take into consideration that there will be an additional current constantly flowing through the resistors.

With a voltage divider connected, the reset switching threshold $V_{RT,new}$ is calculated as follows:

(5.3)

$$V_{RT,new} = \frac{R_{ADJ,1} + R_{ADJ,2}}{R_{ADJ,2}} \times V_{RADJ,th}$$

with

- $V_{RT,new}$: the desired new reset switching threshold
- R_{ADJ1}, R_{ADJ2} : resistors of the external voltage divider
- $V_{RADJ,th}$: reset adjust switching threshold given in **Table 7 “Electrical characteristics reset function” on Page 23**

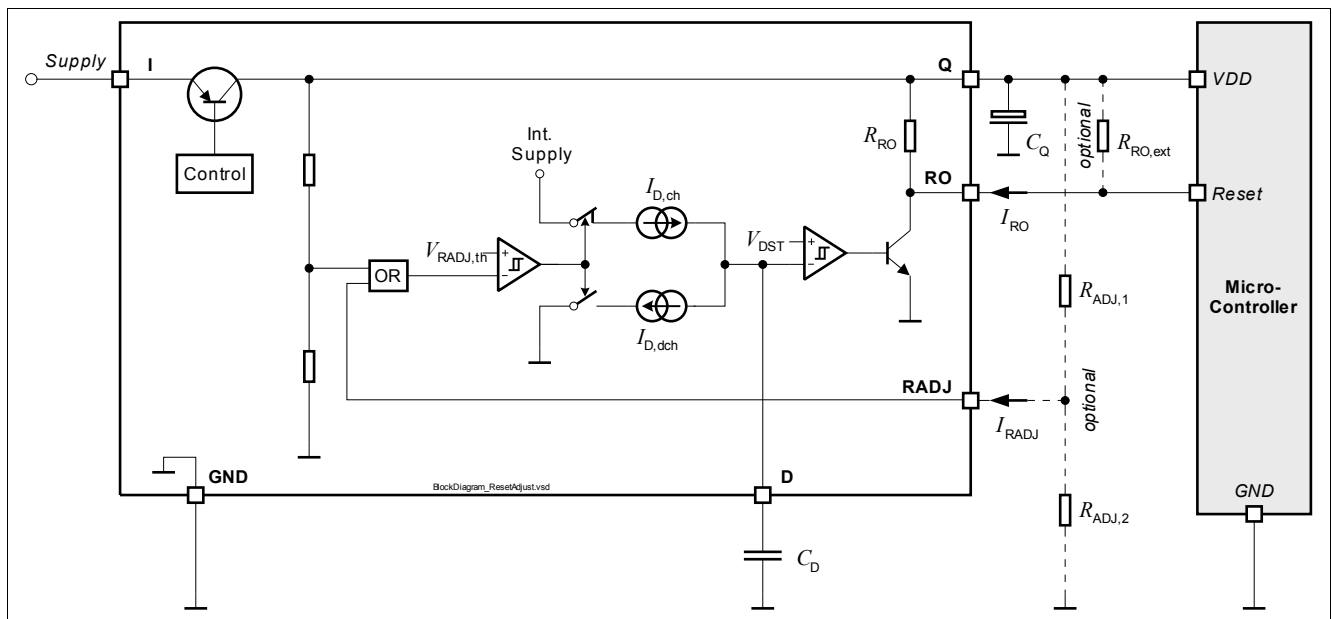


Figure 7 Block diagram reset function

Block description and electrical characteristics

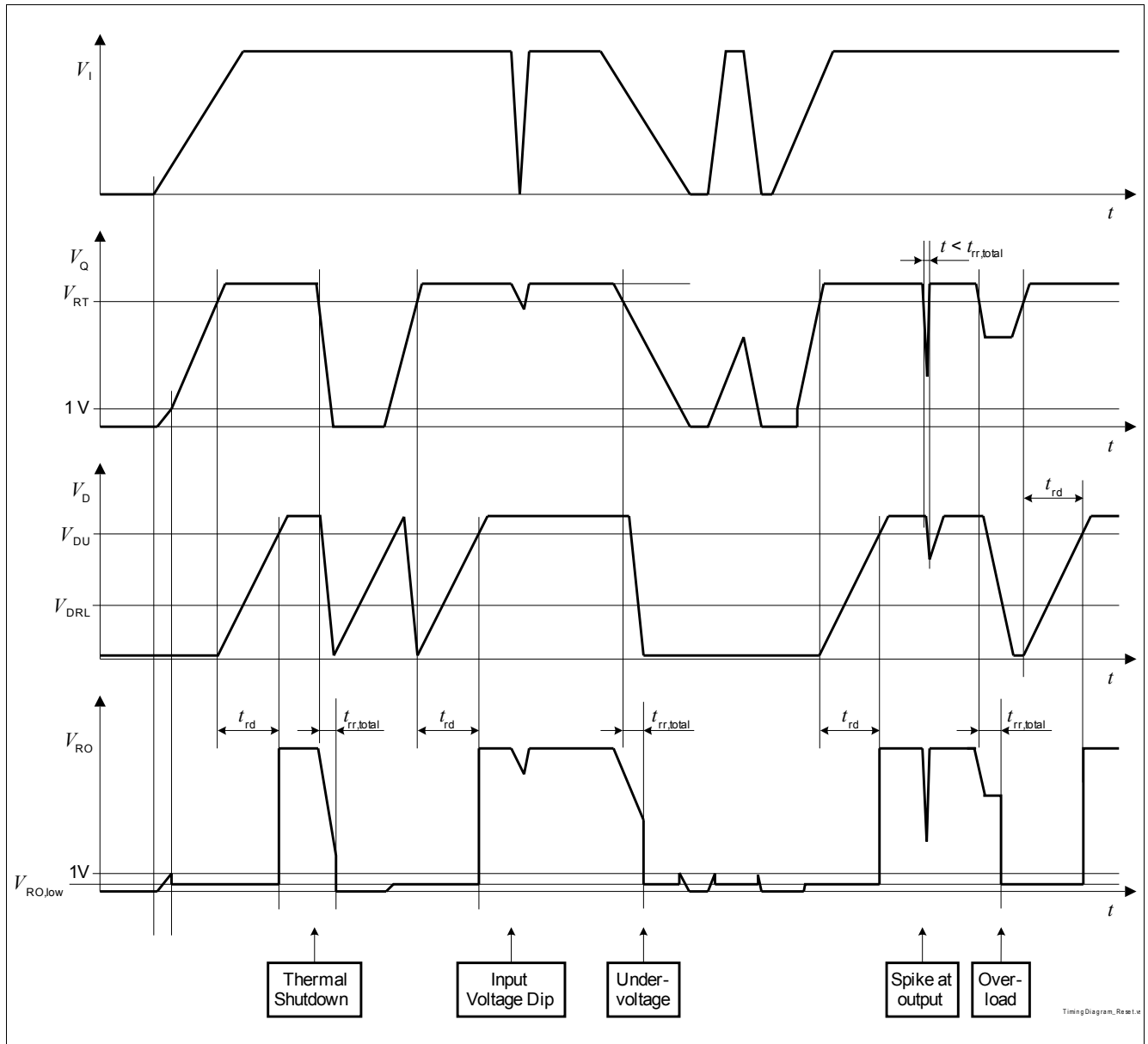


Figure 8 Timing diagram reset

Block description and electrical characteristics

Table 7 Electrical characteristics reset function

$V_I = 13.5\text{ V}$, $-40\text{ °C} \leq T_j \leq 150\text{ °C}$, all voltages with respect to ground, positive current flowing into pin (unless otherwise specified)

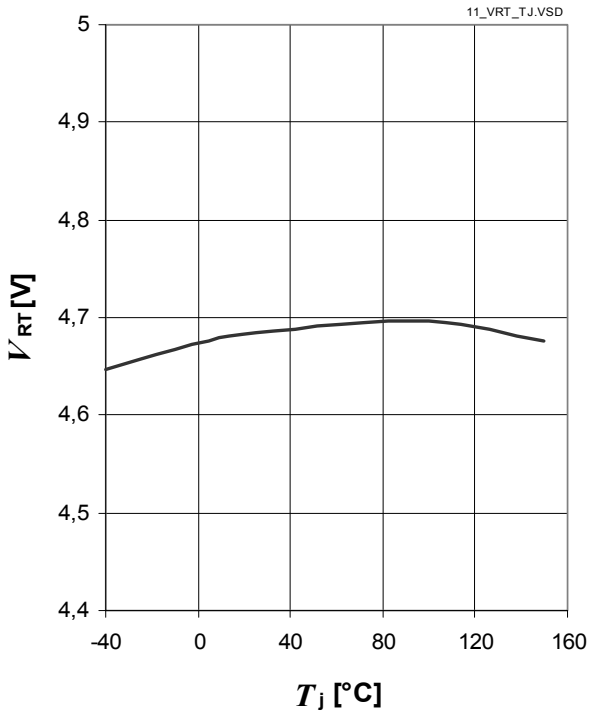
Parameter	Symbol	Values			Unit	Note or Test Condition	Number
		Min.	Typ.	Max.			
Output undervoltage reset							
Default output undervoltage reset Switching thresholds	V_{RT}	4.5	4.65	4.8	V	V_Q decreasing	P_5.7.1
Output undervoltage reset threshold adjustment							
Reset adjust Switching threshold	$V_{RADJ,th}$	1.26	1.36	1.44	V	$3.5\text{ V} \leq V_Q < 5\text{ V}$	P_5.7.2
Reset adjustment range ¹⁾	$V_{RT,range}$	3.50	–	4.65	V	–	P_5.7.3
Reset output RO							
Reset output low voltage	$V_{RO,low}$	–	0.1	0.4	V	$1\text{ V} \leq V_Q \leq V_{RT}$ no external $R_{RO,ext}$	P_5.7.4
Reset output internal Pull-up resistor to V_Q	R_{RO}	10	20	40	k Ω	–	P_5.7.5
Optional reset output external Pull-up resistor to V_Q	$R_{RO,ext}$	5.6	–	–	k Ω	$1\text{ V} \leq V_Q \leq V_{RT}$; $V_{RO} \leq 0.4\text{ V}$	P_5.7.6
Reset delay Ttming							
Delay pin output voltage	V_D	–	–	5	V	–	P_5.7.7
Power-on reset delay time	t_{rd}	17	28	35	ms	$C_D = 100\text{ nF}$ Calculated value: $t_{rd} = C_D * V_{DU} / I_{D,ch}$	P_5.7.8
Upper delay Switching threshold	V_{DU}	–	1.85	–	V	–	P_5.7.9
Lower delay Switching threshold	V_{DL}	–	0.50	–	V	–	P_5.7.10
Delay capacitor Charge current	$I_{D,ch}$	–	8.0	–	μA	$V_D = 1\text{ V}$	P_5.7.11
Delay capacitor Reset discharge current	$I_{D,dch}$	–	70	–	mA	$V_D = 1\text{ V}$	P_5.7.12
Delay capacitor Discharge time	$t_{rr,d}$	–	1.9	3.0	μs	Calculated Value: $t_{rr,d} = C_D * (V_{DU} - V_{DL}) / I_{D,dch}$ $C_D = 100\text{ nF}$	P_5.7.13
Internal reset reaction time	$t_{rr,int}$	–	14	20	μs	$C_D = 0\text{ nF}$ ²⁾	P_5.7.14
Reset reaction time	$t_{rr,total}$	–	15.9	23	μs	Calculated value: $t_{rr,total} = t_{rr,int} + t_{rr,d}$ $C_D = 100\text{ nF}$	P_5.7.15

1) V_{RT} is scaled linearly, in case the Reset Switching Threshold is modified

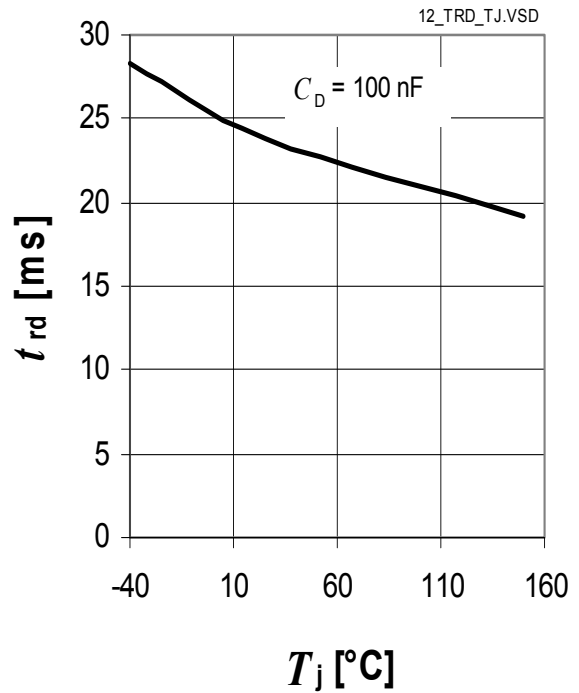
2) Parameter not subject to production test; specified by design

5.7 Typical performance characteristics reset

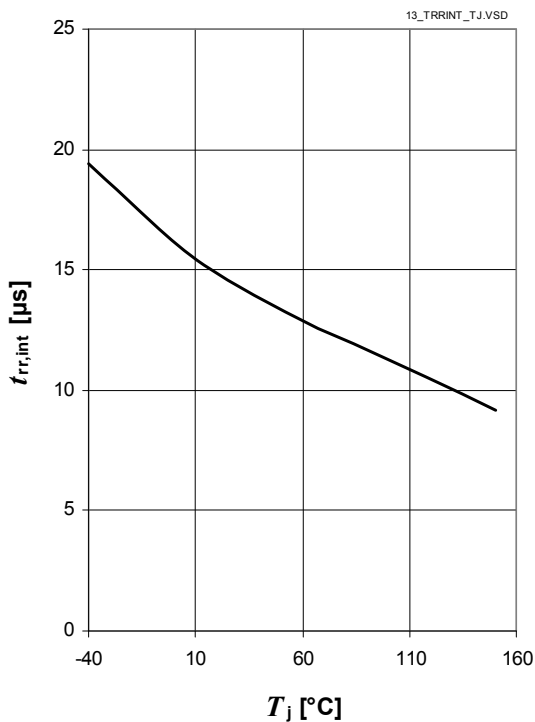
Undervoltage reset switching threshold V_{RT} versus junction temperature T_j



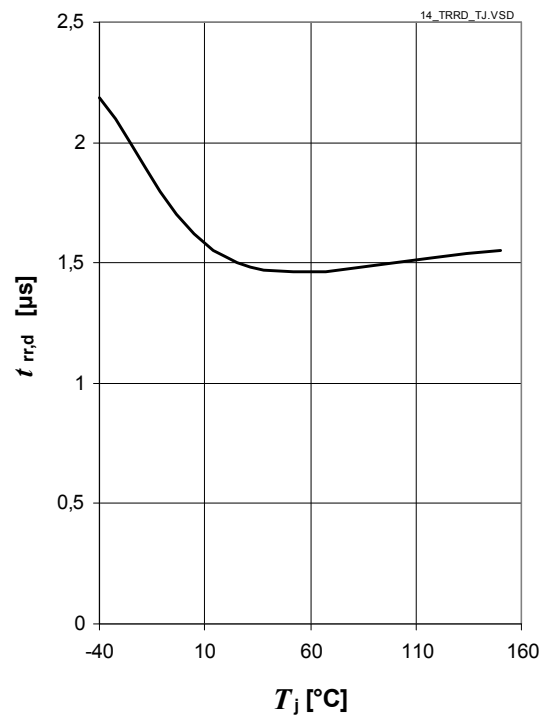
Power-on reset delay time t_{rd} versus junction temperature T_j



Internal reset reaction time $t_{rr,int}$ versus junction temperature T_j



Delay capacitor discharge time $t_{rr,d}$ versus junction temperature T_j



Block description and electrical characteristics

5.8 Early warning function

The additional sense comparator provides an early warning function: Any voltage (e.g. the input voltage) can be monitored, an undervoltage condition is indicated by setting the comparator's output to low.

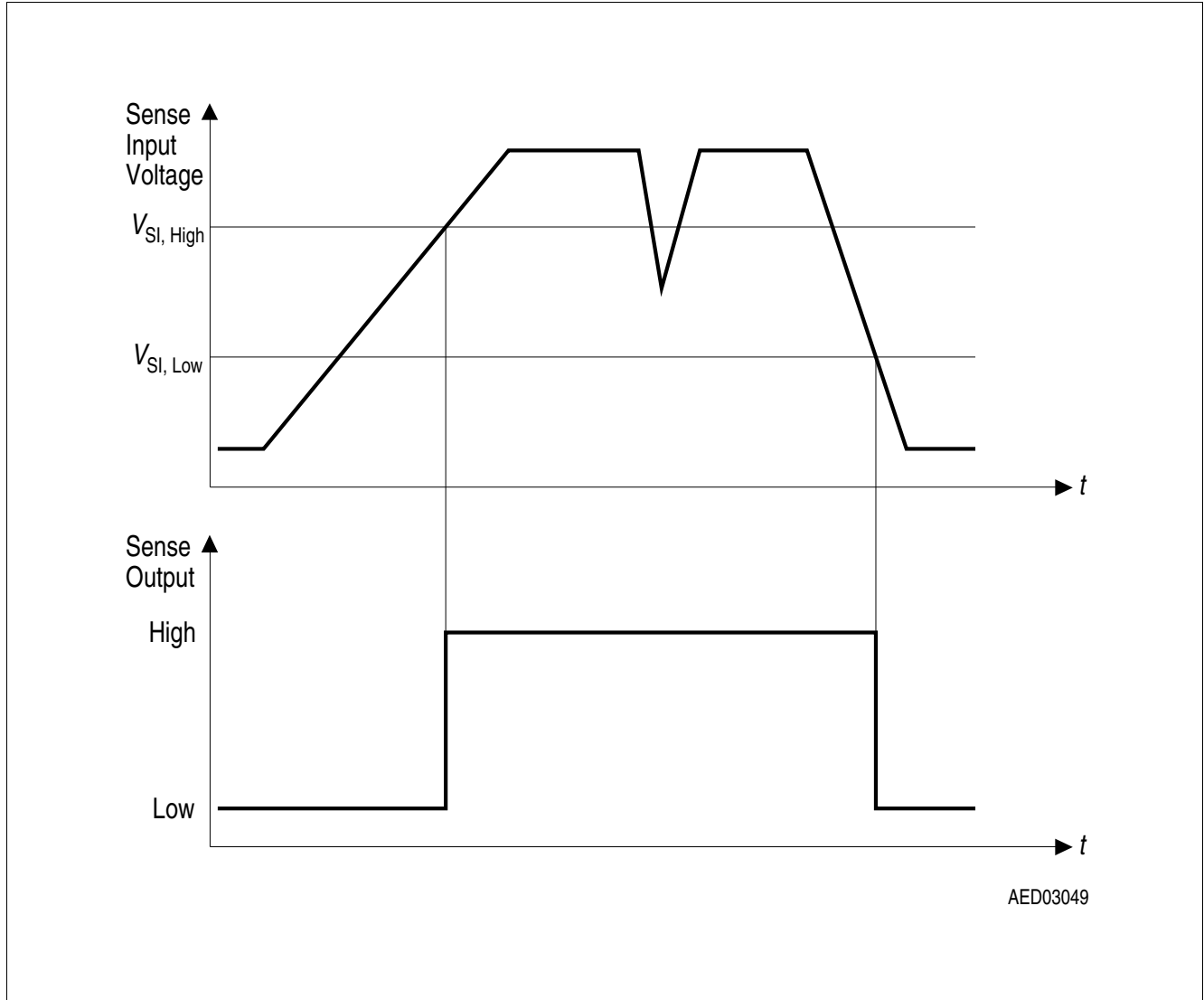


Figure 9 Sense timing diagram

Table 8 Electrical characteristics early warning function

$V_I = 13.5 \text{ V}$, $-40 \text{ }^\circ\text{C} \leq T_j \leq 150 \text{ }^\circ\text{C}$, all voltages with respect to ground, positive current flowing into pin (unless otherwise specified)

Parameter	Symbol	Values			Unit	Note or Test Condition	Number
		Min.	Typ.	Max.			
Sense comparator input							
Sense threshold high	$V_{SI,high}$	1.34	1.45	1.54	V	–	P_5.9.1
Sense threshold low	$V_{SI,low}$	1.26	1.36	1.44	V	–	P_5.9.2
Sense switching hysteresis	$V_{SI,hy}$	50	90	130	mV	$V_{SI,hy} = V_{SI,high} - V_{SI,low}$	P_5.9.3
Sense input current	I_{SI}	-1	-0.1	1	μA	–	P_5.9.4

Block description and electrical characteristics

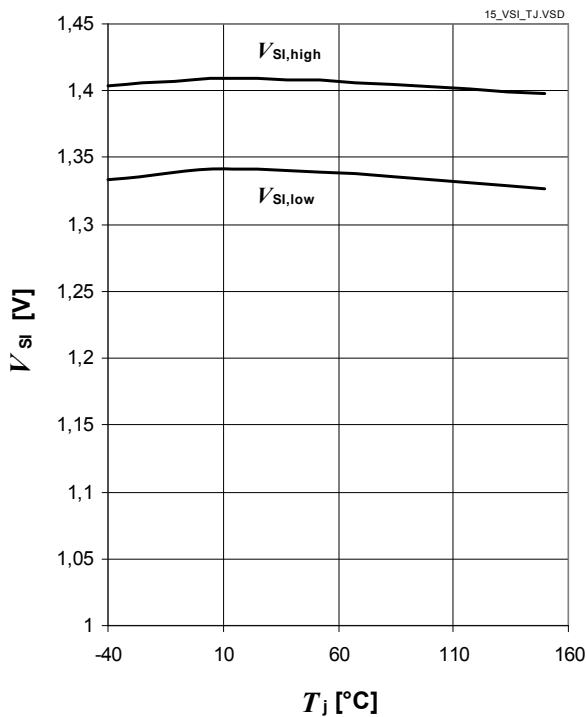
Table 8 Electrical characteristics early warning function (cont'd)

$V_I = 13.5\text{ V}$, $-40\text{ °C} \leq T_j \leq 150\text{ °C}$, all voltages with respect to ground, positive current flowing into pin (unless otherwise specified)

Parameter	Symbol	Values			Unit	Note or Test Condition	Number
		Min.	Typ.	Max.			
Sense comparator output							
Sense output low voltage	$V_{SO,low}$	–	0.1	0.4	V	$V_{SI} < V_{SI,low}$ $V_I > 5.5\text{ V}$ no external $R_{SO,ext}$	P_5.9.5
Sense output internal Pull-up resistor to V_Q	R_{SO}	10	20	40	k Ω	–	P_5.9.6
Optional sense output external pull-up resistor to V_Q	$R_{SO,ext}$	5.6	–	–	k Ω	$V_I > 5.5\text{ V}$ $V_{SO} \leq 0.4\text{ V}$	P_5.9.7

5.9 Typical performance characteristics early warning

Sense thresholds $V_{SI,high}$, $V_{SI,low}$ versus junction temperature T_j



Application information

6 Application information

Note: The following information is given as a hint for the implementation of the device only and shall not be regarded as a description or warranty of a certain functionality, condition or quality of the device.

6.1 Application diagram

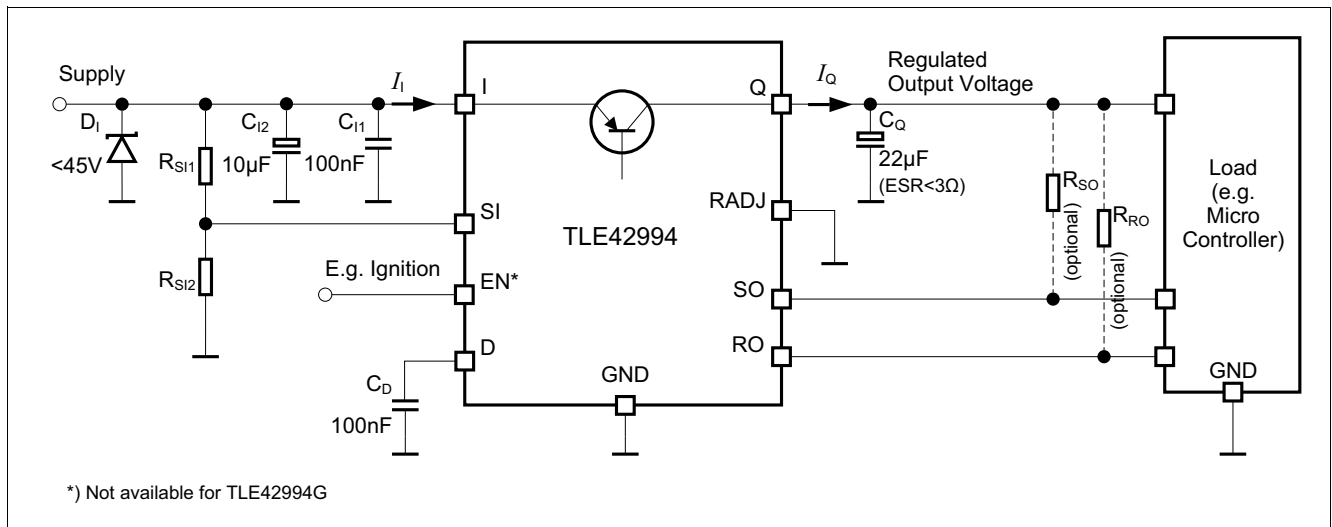


Figure 10 Application diagram with selecting default reset thresholds

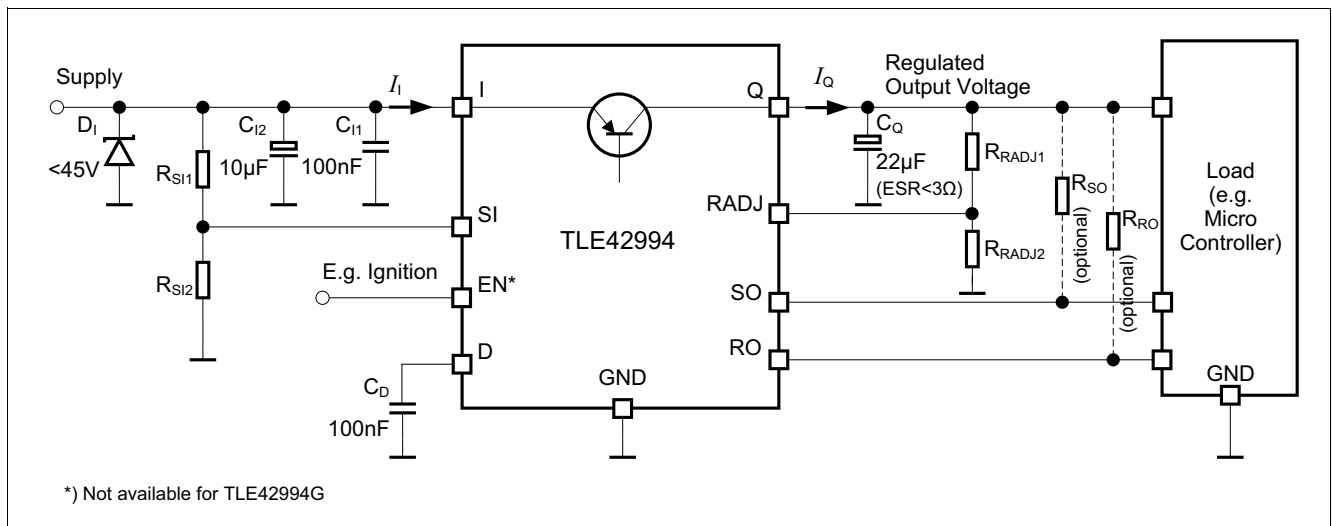


Figure 11 Application diagram with reset thresholds adjustment

Application information

6.2 Selection of external components

6.2.1 Input pin

The typical input circuitry for a linear voltage regulator is shown in the application diagram above.

A ceramic capacitor at the input, in the range of 100 nF to 470 nF, is recommended to filter out the high frequency disturbances imposed by the line e.g. ISO pulses 3a/b. This capacitor must be placed very close to the input pin of the linear voltage regulator on the PCB.

An aluminum electrolytic capacitor in the range of 10 μ F to 470 μ F is recommended as an input buffer to smooth out high energy pulses, such as ISO pulse 2a. This capacitor should be placed close to the input pin of the linear voltage regulator on the PCB.

An overvoltage suppressor diode can be used to further suppress any high voltage beyond the maximum rating of the linear voltage regulator and protect the device against any damage due to over-voltage.

The external components at the input are not mandatory for the operation of the voltage regulator, but they are recommended in case of possible external disturbances.

6.2.2 Output pin

An output capacitor is mandatory for the stability of linear voltage regulators.

The requirement to the output capacitor is given in **“Functional range” on Page 11**. The graph shows the stable operation range of the device. **“Output capacitor series resistor ESR(CQ) versus output current IQ” on Page 16**

TLE42994 is designed to be stable with extremely low ESR capacitors. According to the automotive environment, ceramic capacitors with X5R or X7R dielectrics are recommended.

The output capacitor should be placed as close as possible to the regulator’s output and GND pins and on the same side of the PCB as the regulator itself.

In case of rapid transients of input voltage or load current, the capacitance should be dimensioned in accordance and verified in the real application that the output stability requirements are fulfilled.

Application information

6.3 Thermal considerations

Knowing the input voltage, the output voltage and the load profile of the application, the total power dissipation can be calculated:

(6.1)

$$P_D = (V_I - V_Q) \times I_Q + V_I \times I_q$$

with

- P_D : continuous power dissipation
- V_I : input voltage
- V_Q : output voltage
- I_Q : output current
- I_q : quiescent current

The maximum acceptable thermal resistance R_{thJA} can then be calculated:

(6.2)

$$R_{thJA, max} = \frac{T_{j, max} - T_a}{P_D}$$

with

- $T_{j, max}$: maximum allowed junction temperature
- T_a : ambient temperature

Based on the above calculation the proper PCB type and the necessary heat sink area can be determined with reference to the specification in **“Thermal resistance” on Page 12**.

Example

Application conditions:

$V_I = 13.5 \text{ V}$

$V_Q = 5 \text{ V}$

$I_Q = 50 \text{ mA}$

$T_a = 125^\circ\text{C}$

Application information

Calculation of $R_{thJA,max}$:

$$\begin{aligned} P_D &= (V_I - V_Q) \cdot I_Q + V_I \cdot I_q \\ &= (13.5 \text{ V} - 5 \text{ V}) \cdot 50 \text{ mA} + 13.5 \text{ V} \cdot 2 \text{ mA} \\ &= 0.425 \text{ W} + 0.027 \text{ W} \\ &= 0.452 \text{ W} \end{aligned}$$

$$\begin{aligned} R_{thJA,max} &= (T_{j,max} - T_a) / P_D \\ &= (150^\circ\text{C} - 125^\circ\text{C}) / 0.452 \text{ W} \\ &= 55.3 \text{ K/W} \end{aligned}$$

As a result, the PCB design must ensure a thermal resistance R_{thJA} lower than 55.3 K/W. By considering TLE42994E (PG-SSOP-14 EP package) and according to **“Thermal resistance” on Page 12**, at least 600 mm² heatsink area is needed on the FR4 1s0p PCB, or the FR4 2s2p board can be used.

6.4 Reverse polarity protection

TLE42994 is self protected against reverse polarity faults and allows negative supply voltage. External reverse polarity diode is not needed. However, the absolute maximum ratings of the device as specified in **“Absolute maximum ratings” on Page 10** must be kept.

The reverse voltage causes several small currents to flow into the IC hence increasing its junction temperature. As the thermal shut down circuitry does not work in the reverse polarity condition, designers have to consider this in their thermal design.

Package information

7 Package information

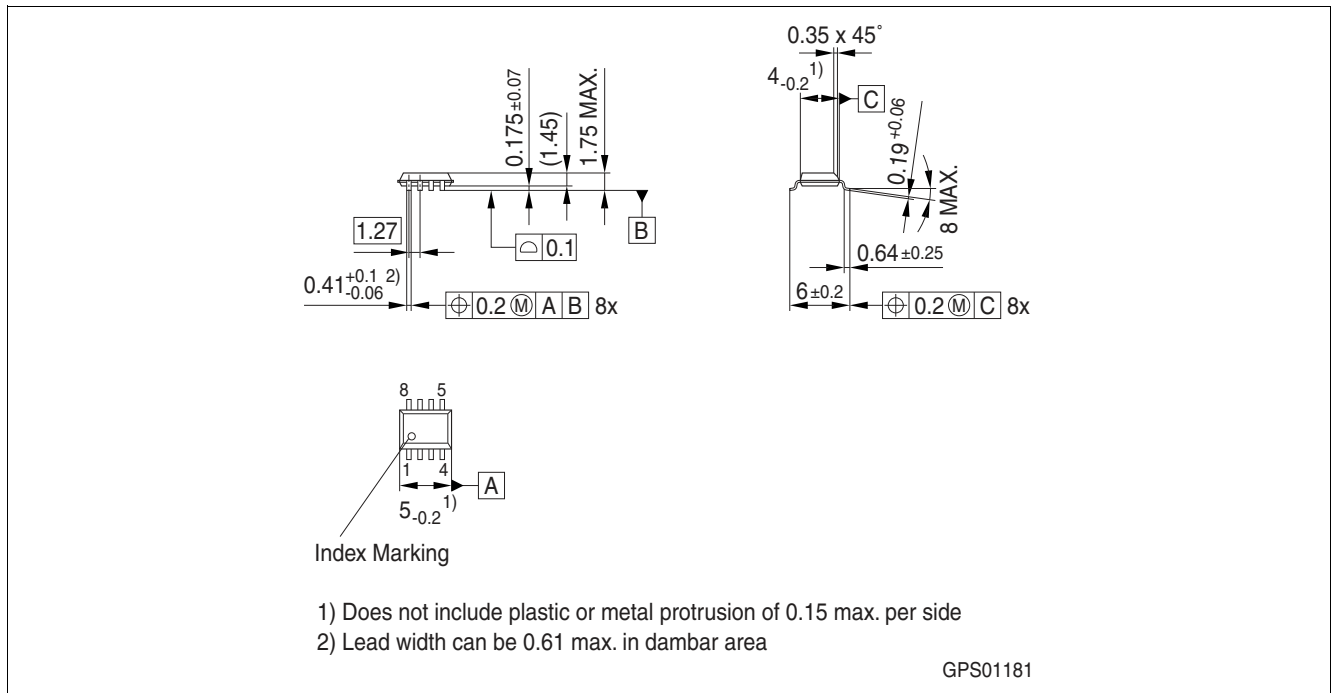


Figure 12 PG-DSO-8¹⁾

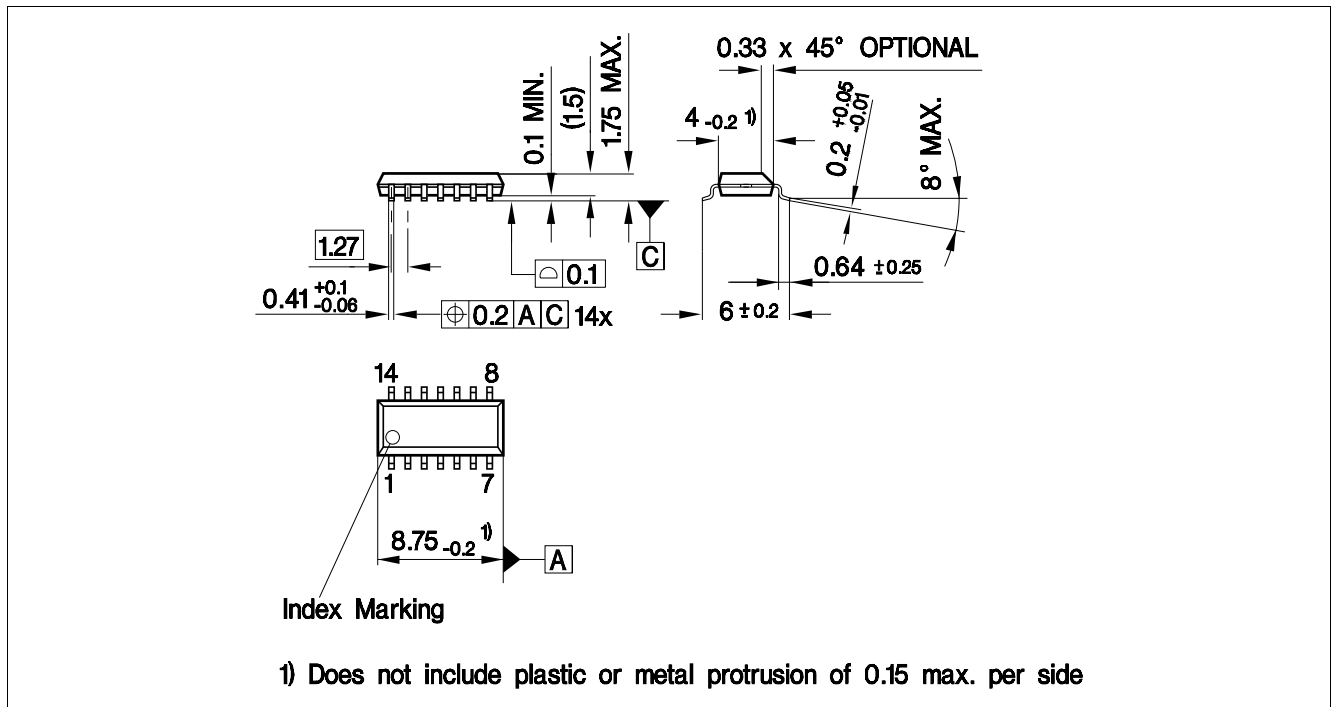


Figure 13 PG-DSO-14¹⁾

1) Dimensions in mm

Package information

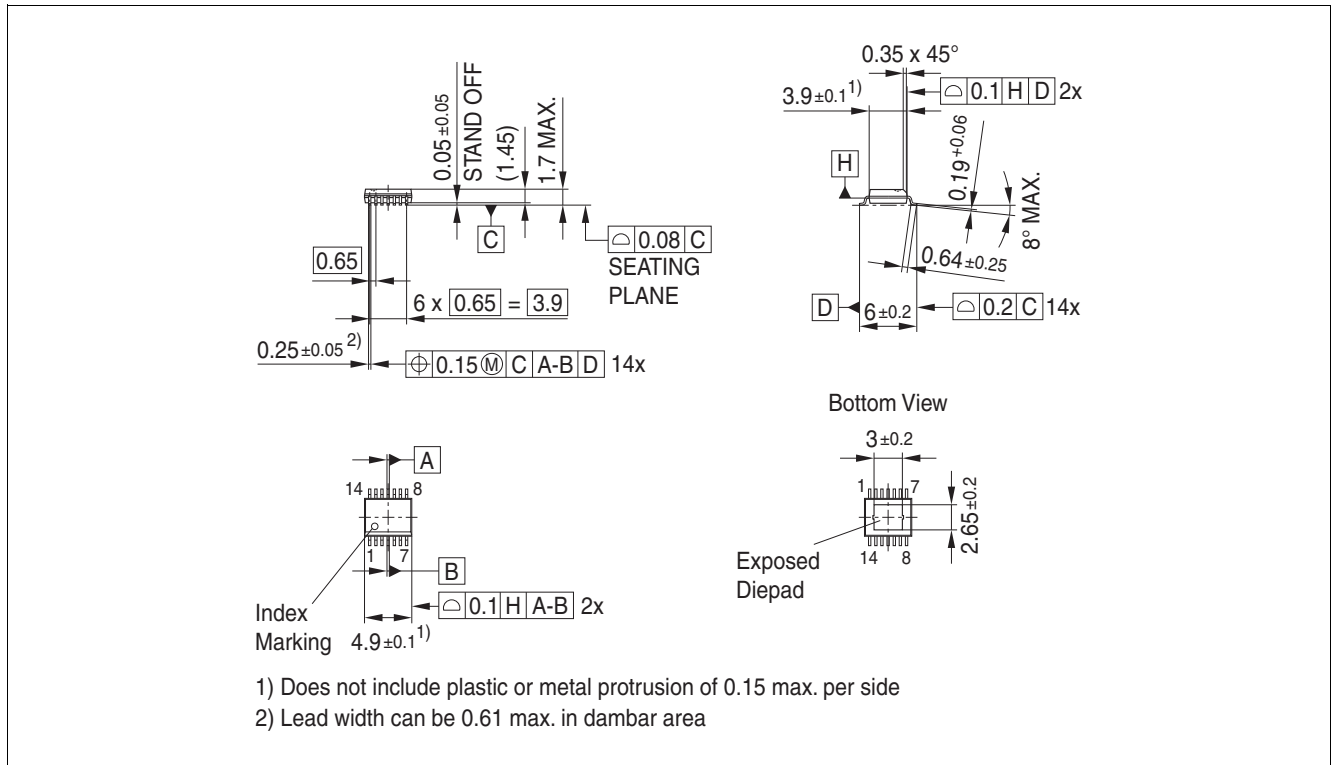


Figure 14 PG-SSOP-14 exposed pad¹⁾

Green Product (RoHS compliant)

To meet the world-wide customer requirements for environmentally friendly products and to be compliant with government regulations the device is available as a green product. Green products are RoHS-Compliant (i.e Pb-free finish on leads and suitable for Pb-free soldering according to IPC/JEDEC J-STD-020).

Further information on packages

<https://www.infineon.com/packages>

1) Dimensions in mm

Revision History

8 Revision History

Revision	Date	Changes
1.3	2018-11-20	Updated layout Updated package drawing “PG-DSO-14” Editorial changes
1.2	2018-10-29	Updated layout Updated package drawing “PG-DSO-14” Editorial changes
1.1	2014-07-03	Updated version Data Sheet: Typing error corrected in Chapter 5.2 in conditions for graph: “Output capacitor series resistor” “10μF” corrected to “22μF”, no change done in specification of electrical parameters
1.0	2008-12-04	Initial version Data Sheet

Trademarks

All referenced product or service names and trademarks are the property of their respective owners.

Edition 2018-11-20

Published by

Infineon Technologies AG

81726 Munich, Germany

© 2018 Infineon Technologies AG.

All Rights Reserved.

Do you have a question about any aspect of this document?

Email: erratum@infineon.com

Document reference

Z8F52699206

IMPORTANT NOTICE

The information given in this document shall in no event be regarded as a guarantee of conditions or characteristics ("Beschaffheitsgarantie").

With respect to any examples, hints or any typical values stated herein and/or any information regarding the application of the product, Infineon Technologies hereby disclaims any and all warranties and liabilities of any kind, including without limitation warranties of non-infringement of intellectual property rights of any third party.

In addition, any information given in this document is subject to customer's compliance with its obligations stated in this document and any applicable legal requirements, norms and standards concerning customer's products and any use of the product of Infineon Technologies in customer's applications.

The data contained in this document is exclusively intended for technically trained staff. It is the responsibility of customer's technical departments to evaluate the suitability of the product for the intended application and the completeness of the product information given in this document with respect to such application.

For further information on technology, delivery terms and conditions and prices, please contact the nearest Infineon Technologies Office (www.infineon.com).

WARNINGS

Due to technical requirements products may contain dangerous substances. For information on the types in question please contact your nearest Infineon Technologies office.

Except as otherwise explicitly approved by Infineon Technologies in a written document signed by authorized representatives of Infineon Technologies, Infineon Technologies' products may not be used in any applications where a failure of the product or any consequences of the use thereof can reasonably be expected to result in personal injury.