



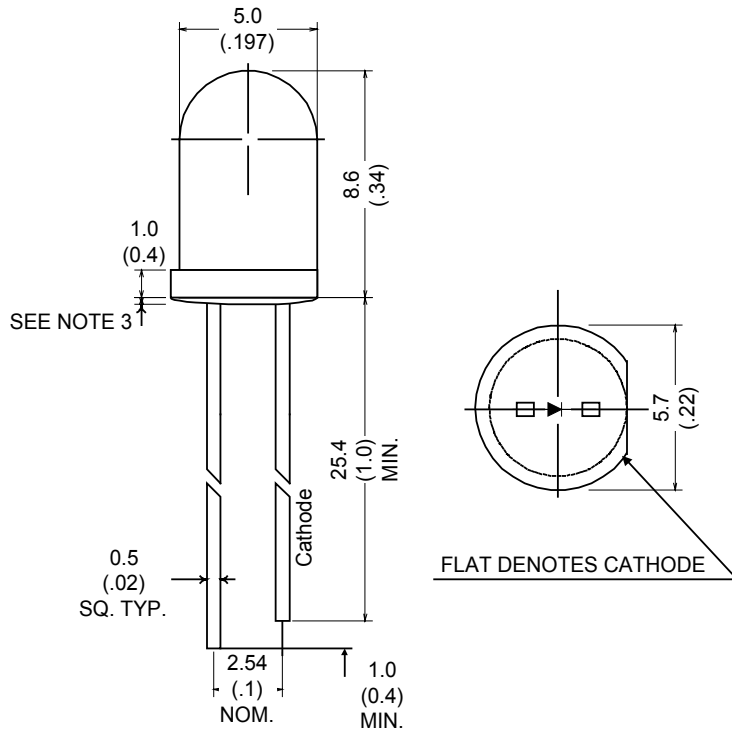
American Opto Plus LED L-517XXW

5.0mm Dia LED LAMP-MULTI COLOR

MAIN FEATURES

- 5.0mm DIA LED LAMP
- LOW POWER CONSUMPTION
- LONG LIFE OLIDSTATE RELIABILITY
- C. COMPATIBLE
- TWO CHIPS ARE MATCHED FOR UNIFORM LIGHT OUTPUT

PACKAGE DIMENSIONS



Notes:

- All Dimension are in millimeter.
- Tolerance is $\pm 0.25\text{mm}(0.010\text{'})$ unless otherwise specified.
- Protruded resin under flange is 1.5mm(0.059") max.
- Lead spacing is measured where the leads emerge from the package.
- Specification are subject to change without notice.

SELECTION GUIDE AND APPLICATION INFORMATION (RATINGS AT 25°C AMBIENT)

Part No.	Chip		Lens Color	Wave Length p(nm)	Absolute Maximun Ratings				Electro-Optical Characteristics					View Angle (deg)	
	Raw	Emitted			$\Delta\lambda$ nm	Pd mW	If mA	If (Peak)	Vf(V)			If (Rec)	Iv (mcd)		
	Material	Color							Min.	Typ.	Max.		Min.		Typ.
L-517HGW	GaP	Red	White Diffused	700	90	45	15	50	1.7	2.1	2.8	5~10	3.0	8.0	60
	GaP	Green		565	30	100	30	160	1.7	2.1	2.8	10~20	3.0	12.0	
L-517EGW	GaAsP/GaP	Hi. effi Red	White Diffused	635	45	100	30	160	1.7	2.0	2.8	10~20	8.0	20.0	60
	GaP	Green		565	30	100	30	160	1.7	2.1	2.8	10~20	5.0	15.0	
L-517EYW	GaAsP/GaP	Hi. effi Red	White Diffused	635	45	100	30	160	1.7	2.0	2.8	10~20	8.0	20.0	60
	GaAsP/GaP	Yellow		585	30	100	30	160	1.7	2.1	2.8	10~20	5.0	15.0	
L-517GYW	GaP	Green	White Diffused	565	30	100	30	160	1.7	2.1	2.8	10~20	5.0	15.0	60
	GaAsP/GaP	Yellow		585	30	100	30	160	1.7	2.1	2.8	10~20	5.0	15.0	
L-517SRSGW	GaAlAs	Super Red	White Diffused	660	20	60	20	160	1.6	1.8	2.1	10~20	50.0	150	60
	GaP	Green		565	30	100	30	160	1.7	2.1	2.8	10~20	20.0	50.0	
L-517URUGW	GaAlAs	Super Red	White Diffused	660	20	60	20	160	1.6	1.8	2.1	10~20	300	450	60
	GaP	Green		565	30	100	30	160	1.7	2.1	2.8	10~20	50	100	

ABSOLUTE MAXIMUM RATING: (Ta=25°C)

Reverse Voltage	: 5 Volt
Reverse Current(Vr = 5V)	: 10μA
Operating Temperature Range	: -40°C to + 80°C
Storage Temperature Range	: -40°C to + 100°C
Lead Soldering Temperature	: 260°C for 5 Seconds
(1.6mm(1/16inch) from body)	

ELECTRO-OPTICAL CHARACTERISTICS: (Ta=25°C)

Para meter Description	Symbol	Unit
Spectral Line half-Width	$\Delta\lambda$	nm
Power Dissipation	Pd	mW
Peak Forward Current (Duty 1/10,@KHz)	If(Peak)	mA
Recommended Operation Current	If(Rec)	mA
Average Luminous intensity (If = 10mA)	Iv	mcd