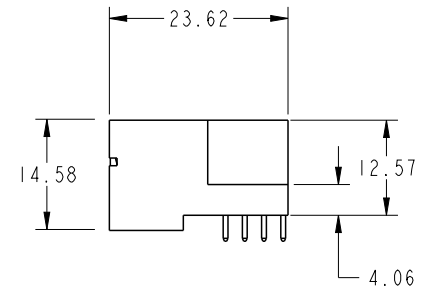
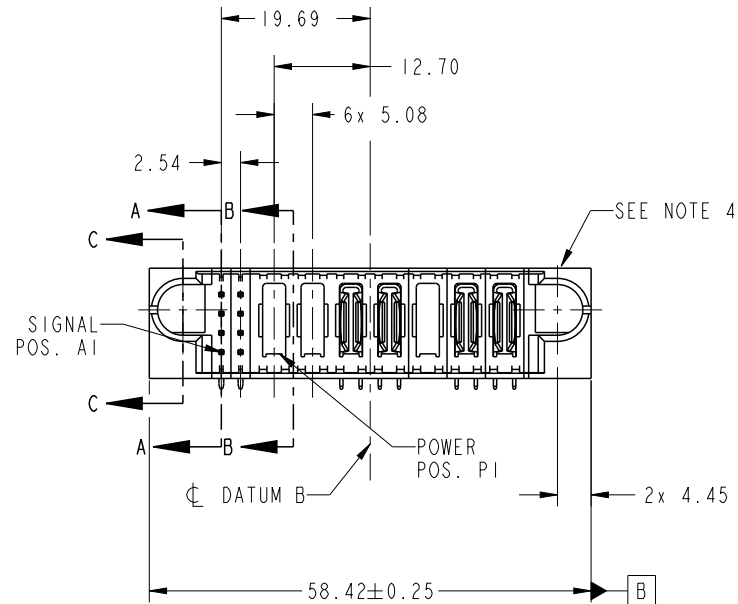


PRODUCT NO.	ROWS	SIGNAL							POWER							E2							
		E1	1	2	P1	P2	P3	P4	P5	P6	P7												
51939-969LF	D C B A																						

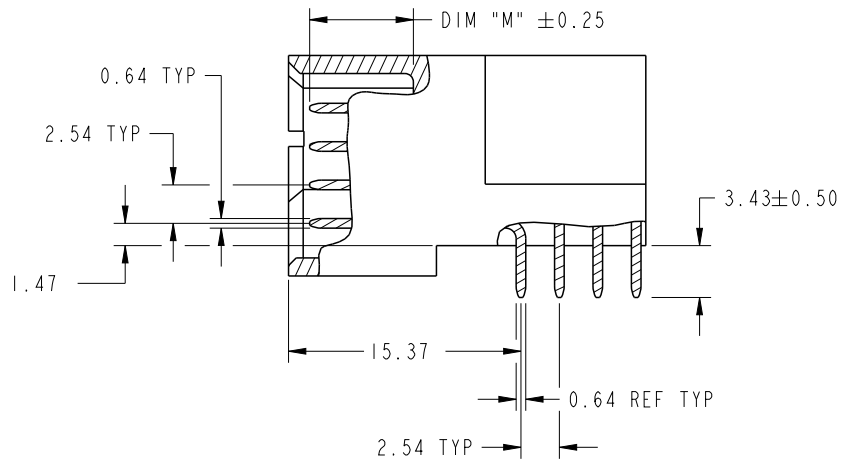


CODE	DIM "M" MATING LENGTH	CONTACT TYPE
U	[6.86]	SIGNAL
T	[6.86]	SIGNAL
S	[6.86]	SIGNAL
E	[5.59]	SIGNAL
PA	[N/A]	POWER
X	[N/A]	OMITTED

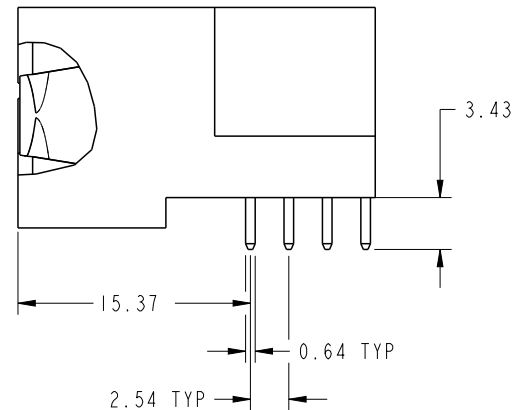
spec ref	*	dr	Ruan MT	2015/05/05	projection	MM	size	A4	scale	1:1	
tolerance std	TOLERANCES UNLESS OTHERWISE SPECIFIED	eng	Ruan MT	2015/06/05			ecn no	-	rel level	Released	
ASME Y14.5		chr	Fancy Zhang	2015/06/05							
		appr	Pei-Ming Zheng	2015/06/05		product family					PwrBlade
surface	✓	linear	0.X	±0.5		title	8S + 7DCP	dwg no	51939-969	rev	A
			0.XX	±0.25							
			0.XXX	±0.1							
ASME Y14.5	angular	0°	±2°	www.fci.com	cat. no.	-	Product - Customer Drw	sheet 1 of 4			

PRODUCT NUMBER

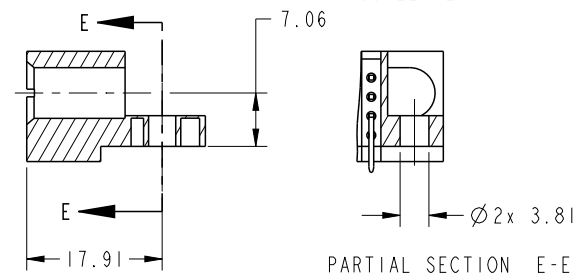
51939-969LF



BROKEN-OUT SECTION A-A
SCALE 2:1



BROKEN-OUT SECTION B-B
SCALE 2:1



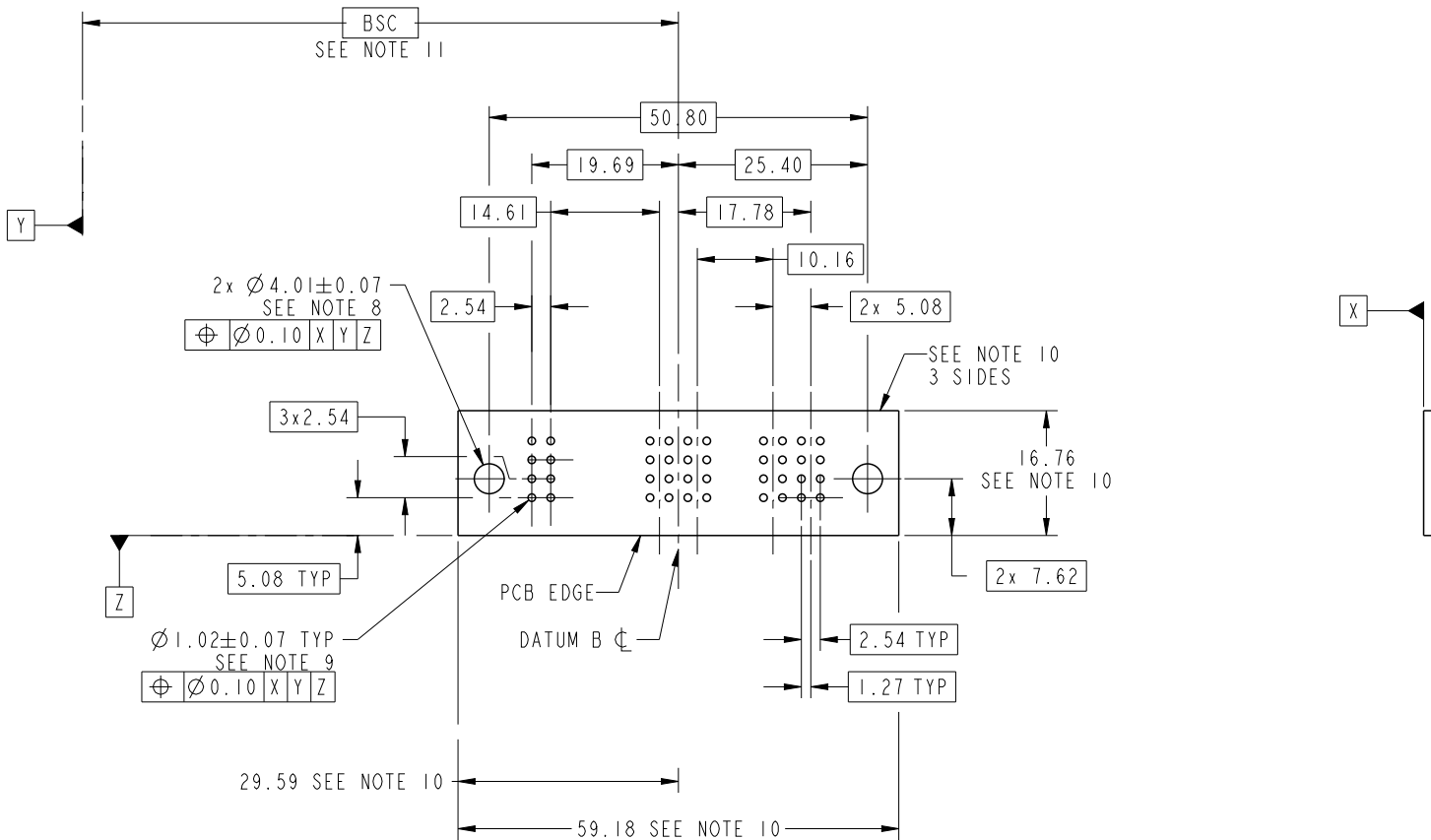
PARTIAL SECTION E-E

SECTION C-C

dr	Ruan MT	2015/05/05	projection 	MM 	size	A4	scale	1:1
eng	Ruan MT	2015/06/05			ecn no	-		
chr	Fancy Zhang	2015/06/05			rel level	Released		
appr	Pei-Ming Zheng	2015/06/05	product family	PwrBlade	rev	A		
		title 8S + 7DCP RIGHT ANGLE STB HEADER	dwg no 51939-969	cat. no. -	Product - Customer Drw	sheet 2 of 4		

PRODUCT NUMBER

51939-969LF



dr	Ruan MT	2015/05/05	projection 	MM 	size	A4	scale	1:1	
eng	Ruan MT	2015/06/05			ecn no	-			
chr	Fancy Zhang	2015/06/05			rel level	Released			
appr	Pei-Ming Zheng	2015/06/05	product family	PwrBlade	rev	A			
		title		8S + 7DCP		dwg no		51939-969	
www.fci.com		cat. no.		-		Product - Customer Drw		sheet 3 of 4	

PRODUCT NUMBER

51939-969LF

NOTES:

1. DIMENSIONS AND TOLERANCES ARE IN ACCORDANCE WITH ASME Y14.5M, 1994 UNLESS OTHERWISE SPECIFIED.

CONNECTOR NOTES:

- 2. HOUSING MATERIAL: UL 94 V-0 GLASS FILLED HIGH-TEMP THERMOPLASTIC
POWER CONTACT MATERIAL: COPPER ALLOY
SIGNAL PIN MATERIAL: COPPER ALLOY
- 3. SEE FCI PLATING SPEC 10064183.
- 4. MANUFACTURER'S NAME, DATE CODE AND OPTIONAL P/N TO APPEAR ON THIS SURFACE. THE MARK CAN BE OMITTED IF THERE IS NOT ENOUGH SPACE ON THIS SURFACE.
- 5. PRODUCT SPECIFICATION GS-12-149.
APPLICATION SPECIFICATION BUS-20-067.
- 6. PACKAGED IN TRAYS.

PCB NOTES:

- 7. ALL HOLE DIAMETERS ARE FINISHED HOLE SIZE.
- 8. MOUNTING HOLES, WHERE APPLICABLE, ARE UNPLATED.
- 9. $\varnothing 1.151 \pm 0.025$ DRILLED HOLES PLATED WITH
0.008 MIN SnPb OR Sn OVER 0.03
TO 0.08 Cu PLATING TO ACHIEVE
 $\varnothing 1.02 \pm 0.07$ HOLE.
- 10. CONNECTOR KEEP-OUT ZONE.
- 11. DATUM AND BASIC DIMENSIONS ARE ESTABLISHED BY CUSTOMER.

dr	Ruan MT	2015/05/05	projection 	MM 	size	A4	scale	1:1			
eng	Ruan MT	2015/06/05			ecn no	-					
chr	Fancy Zhang	2015/06/05			product family	PwrBlade	rel level	Released			
appr	Pei-Ming Zheng	2015/06/05			www.fci.com	title	8S + 7DCP RIGHT ANGLE STB HEADER	dwg no	51939-969	rev	A
		cat. no.	-	Product - Customer Drw			sheet 4 of 4				



Copyright FCI.