



User Guide

EVB-ATEK252N3-01

Document Code : 023-01004201
Revision No : 03
Revision Date : 16/04/2022

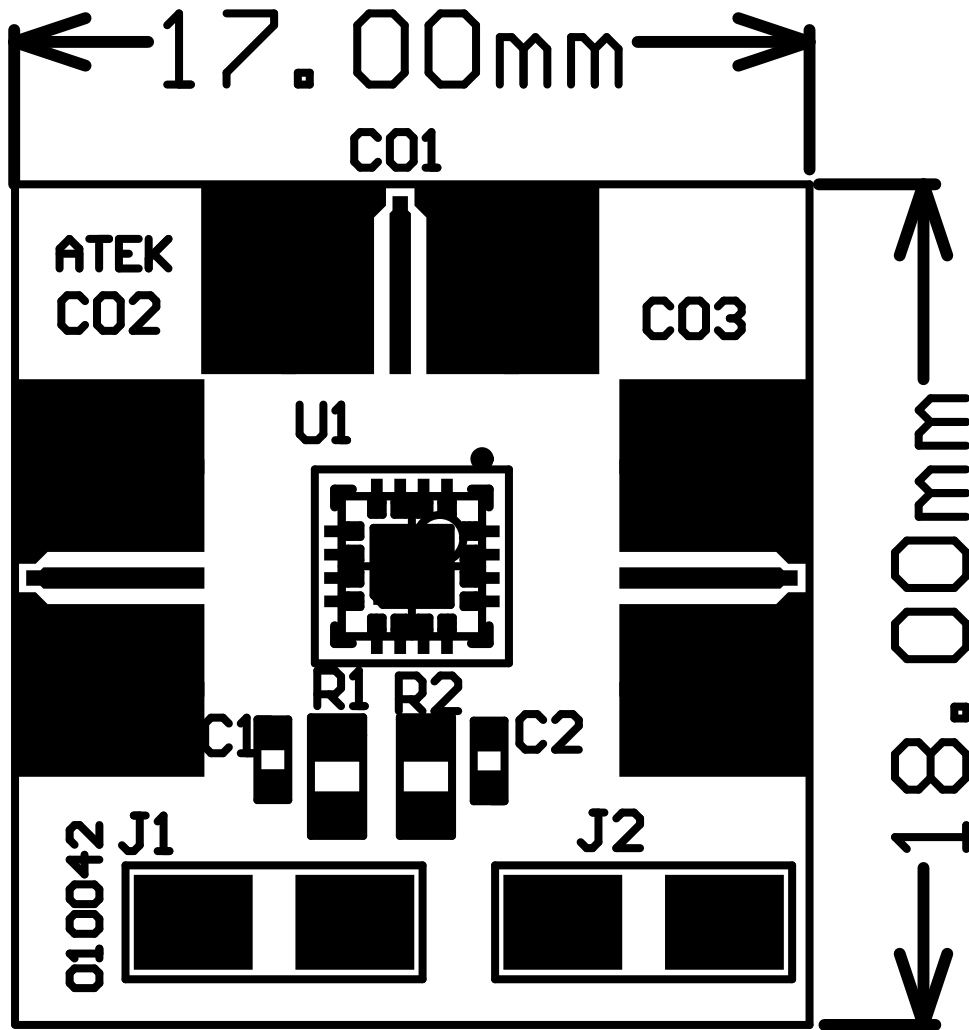
Revisions

Revision No	Revision Date	Revision Reason	Section / Page No
1.0	08.07.2021	Initial Version	
1.1	08.01.2022	Format and Content Fixed	
1.2	16.04.2022	Format and Content Fixed	

INDEX

1	GENERAL INFORMATION	3
2	DESIGN INFORMATION.....	4
2.1	SCHEMATIC.....	4
2.2	BOM	4
3	TYPICAL PERFORMANCE PLOTS.....	5

1 GENERAL INFORMATION



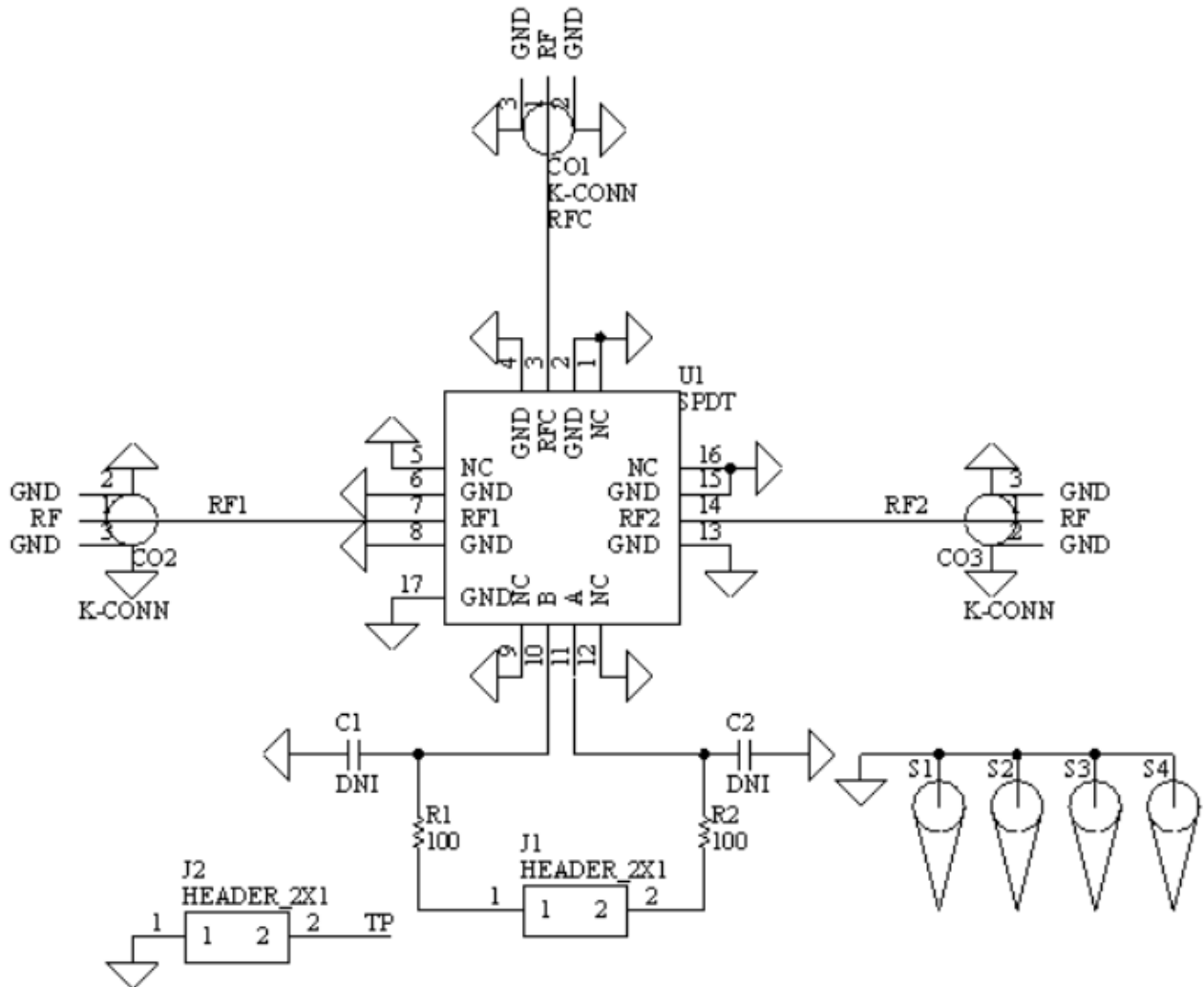
PIN Name	Definition	Comment
CO1	RF IN	K Connector
CO2, CO3	RF OUT	K Connector
J1 Left	CTRL B	2.54mm Header
J1 Right	CTRL A	2.54mm Header
J2 Left	N/A	2.54mm Header
J2 Right	GND	2.54mm Header

Notes:

1. VDD Voltage is detailed in Datasheet.
2. Control Voltage is detailed in Datasheet.
3. The definition of up, down, right, and left is valid for this view of PCB.

2 DESIGN INFORMATION

2.1 SCHEMATIC



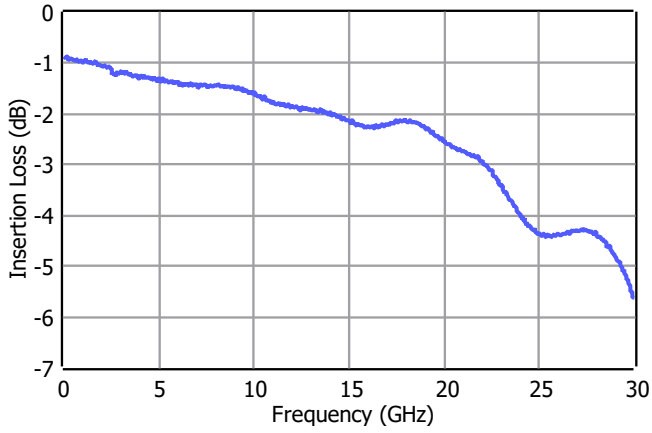
2.2 BOM

Designator	Footprint	Qty	Comment	PN
C1, C2	0402	2	DNP	
CO1, CO2, CO3	K Connector	3	K Connector	
J1, J2	2x1 Header	2	2x1 Header	
R1, R2	0603	2	OR	
U1	ATEKQ3316	1	SPDT	ATEK252N3

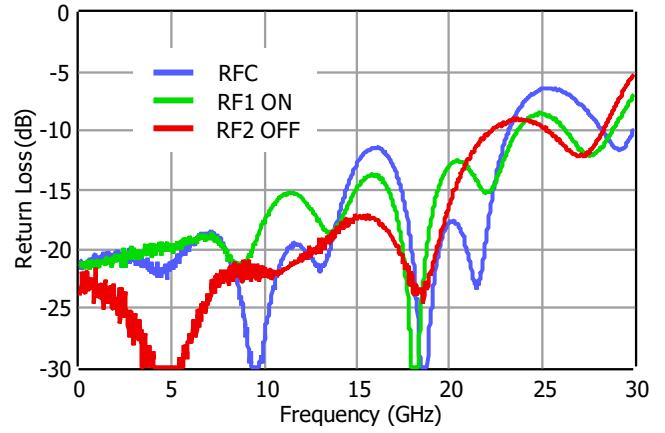
3 TYPICAL PERFORMANCE PLOTS

Conditions unless otherwise specified: $V_{CTRL} = 0/-5$ V, $T = 25$ C, CW. For details, please refer to the datasheet.

Insertion Loss



Return Loss



Isolation from RFC to RF2

