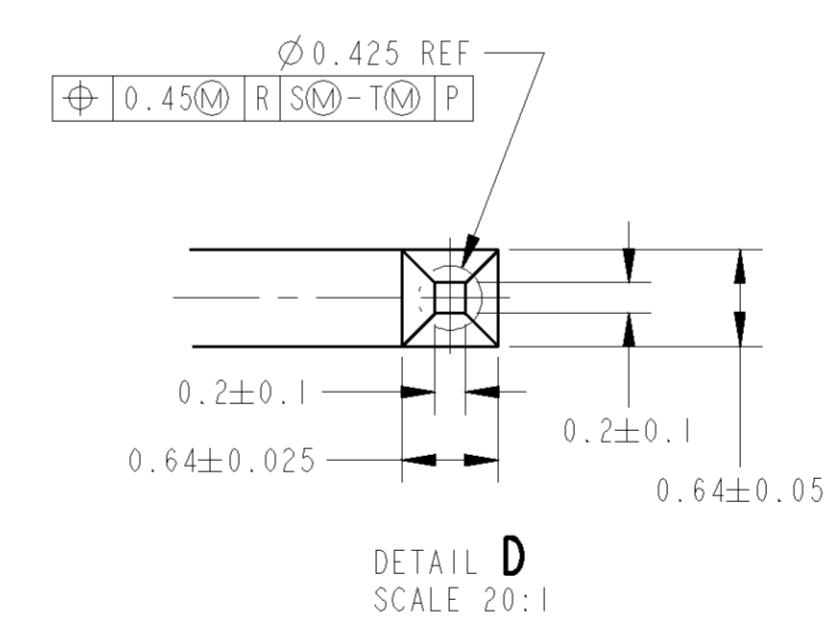
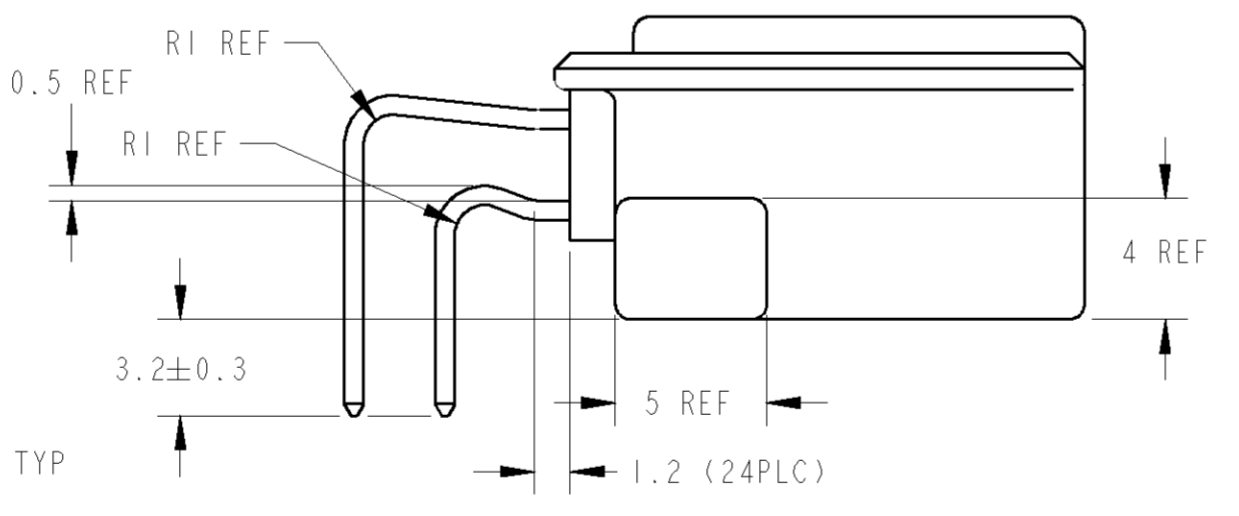
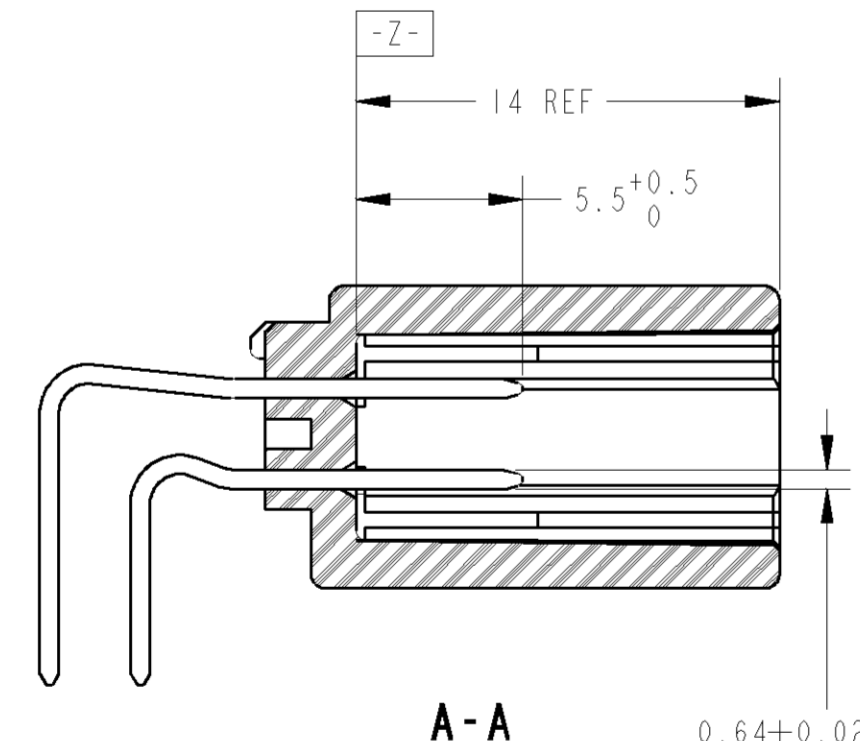
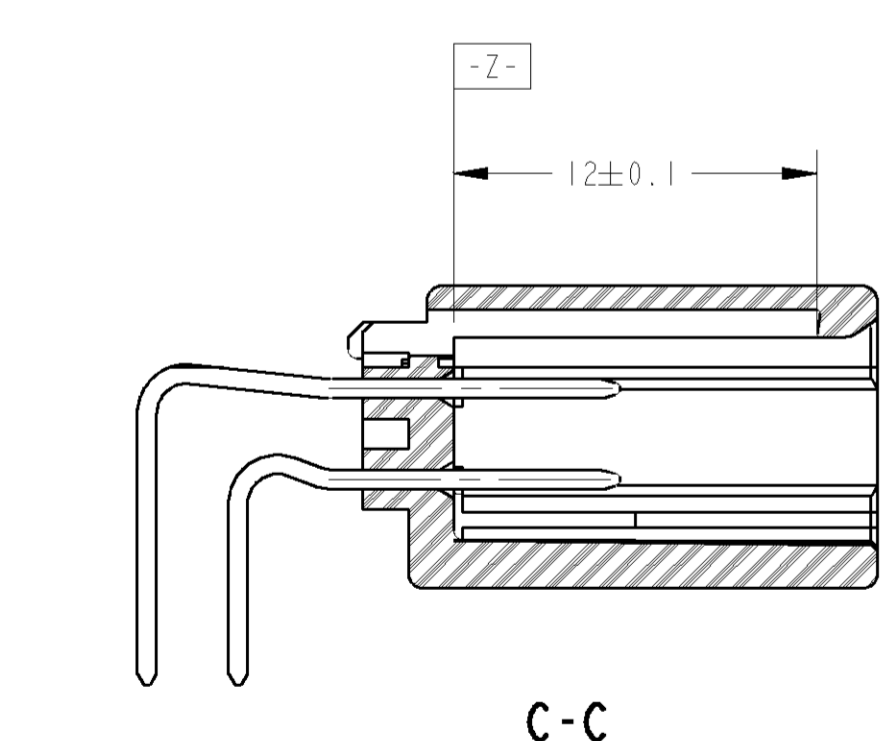
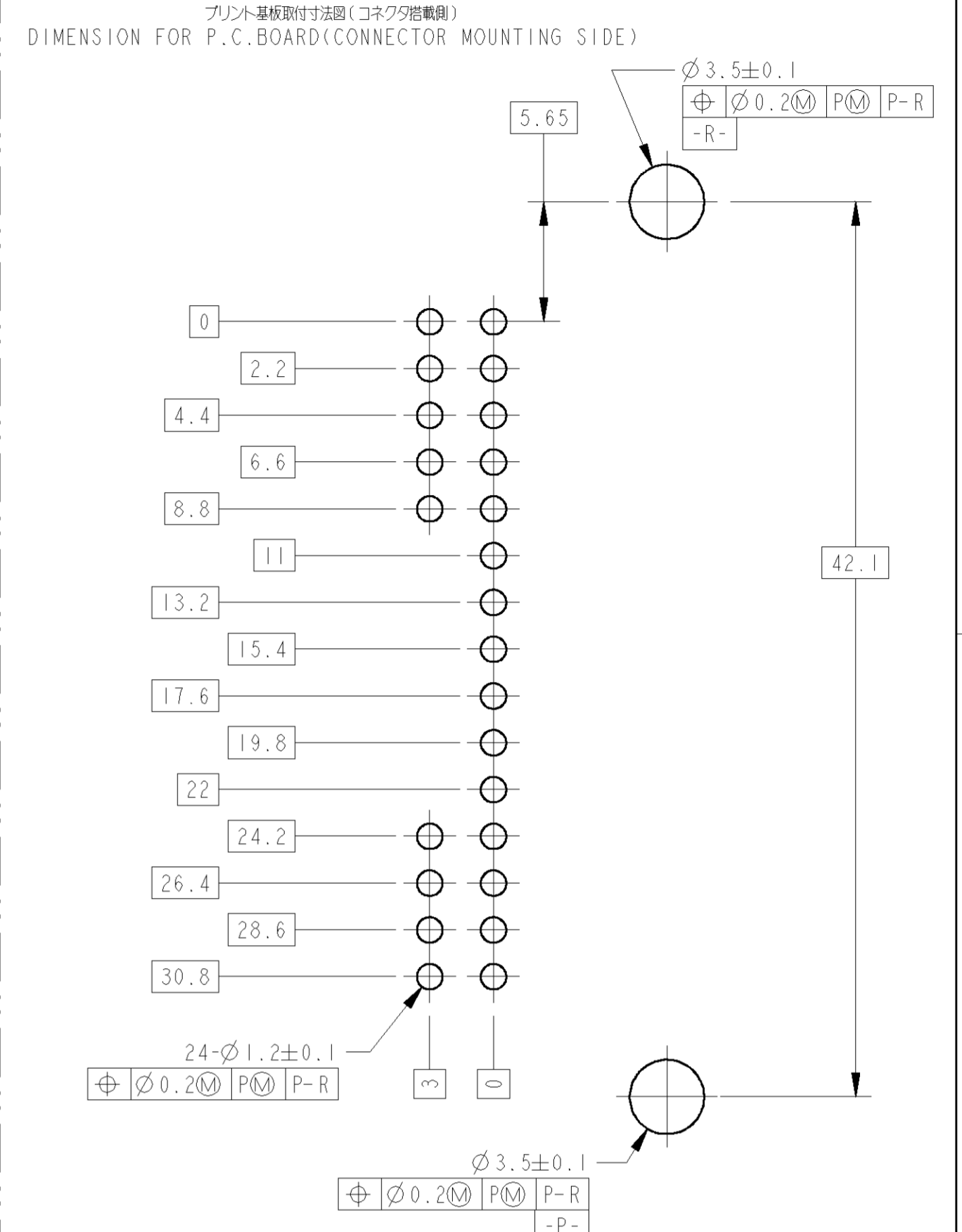
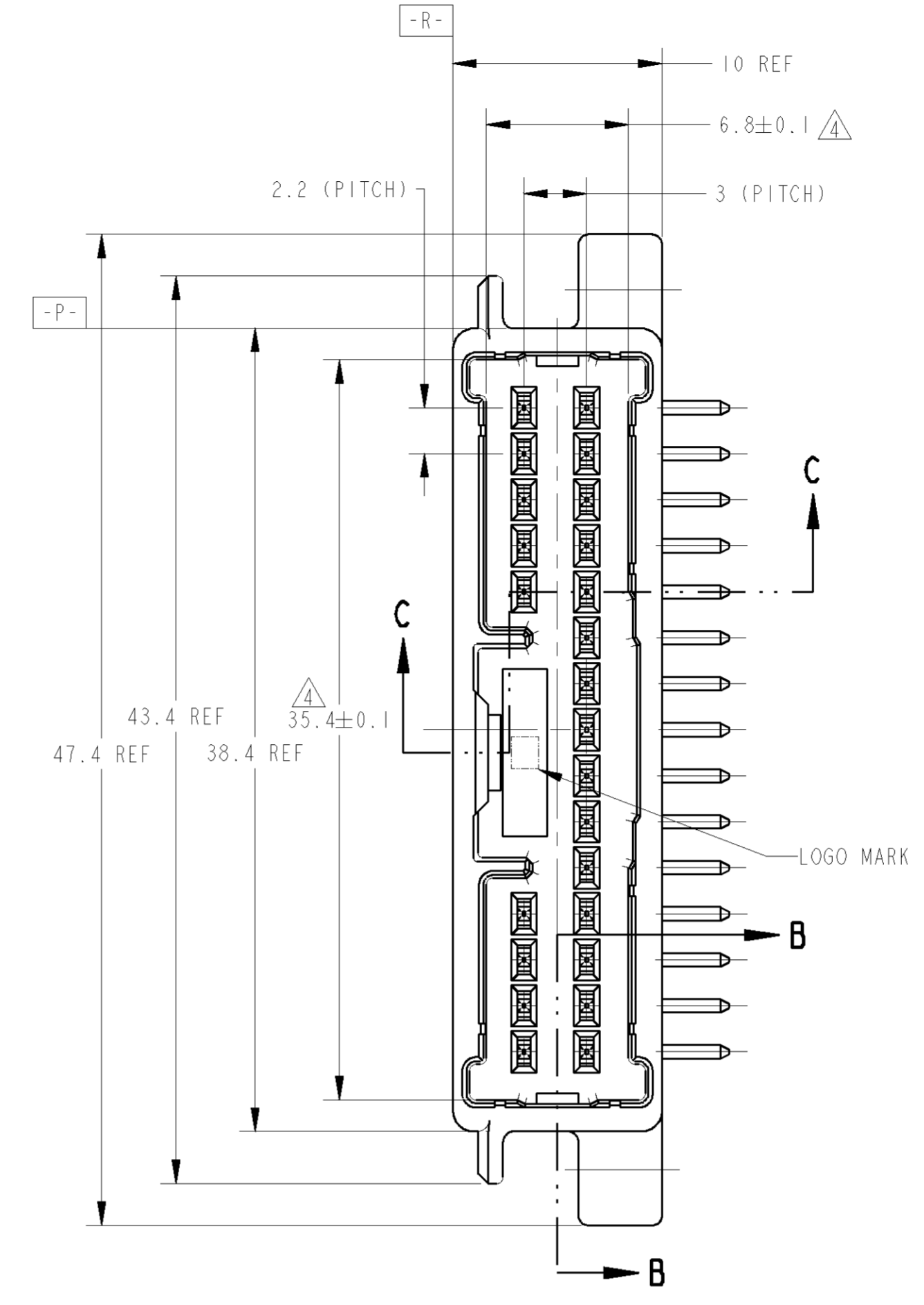
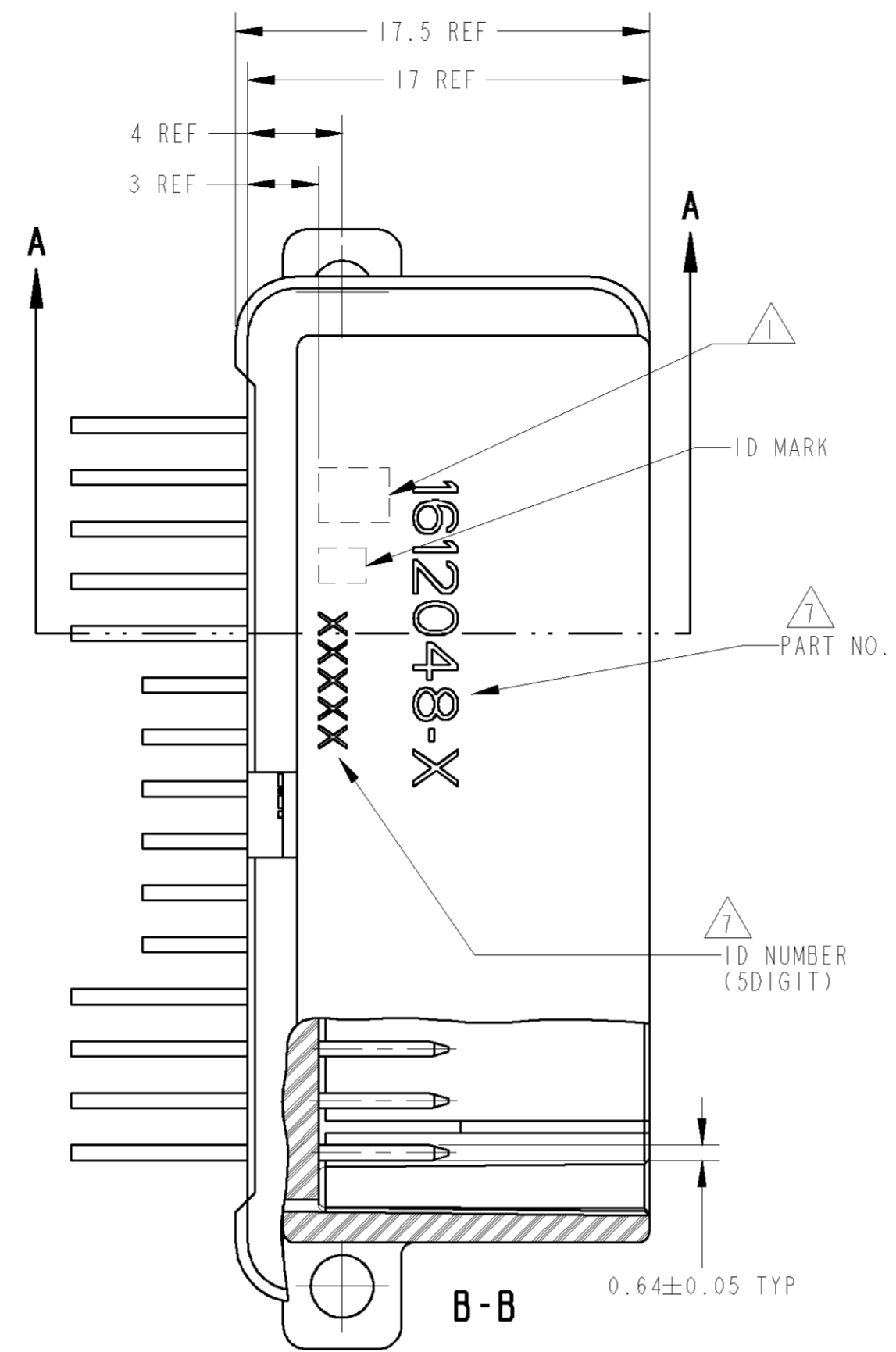
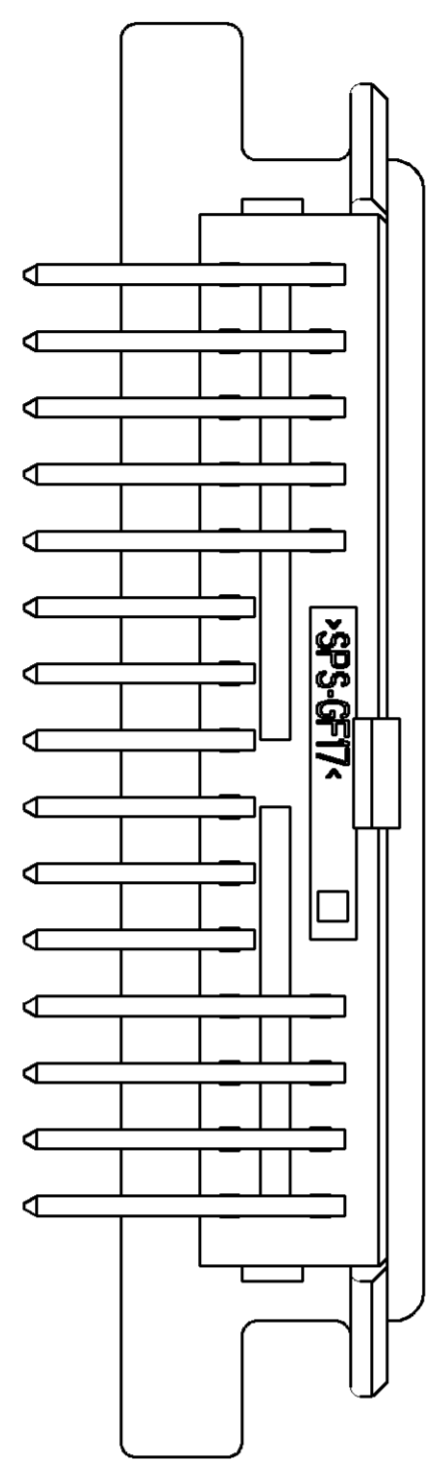
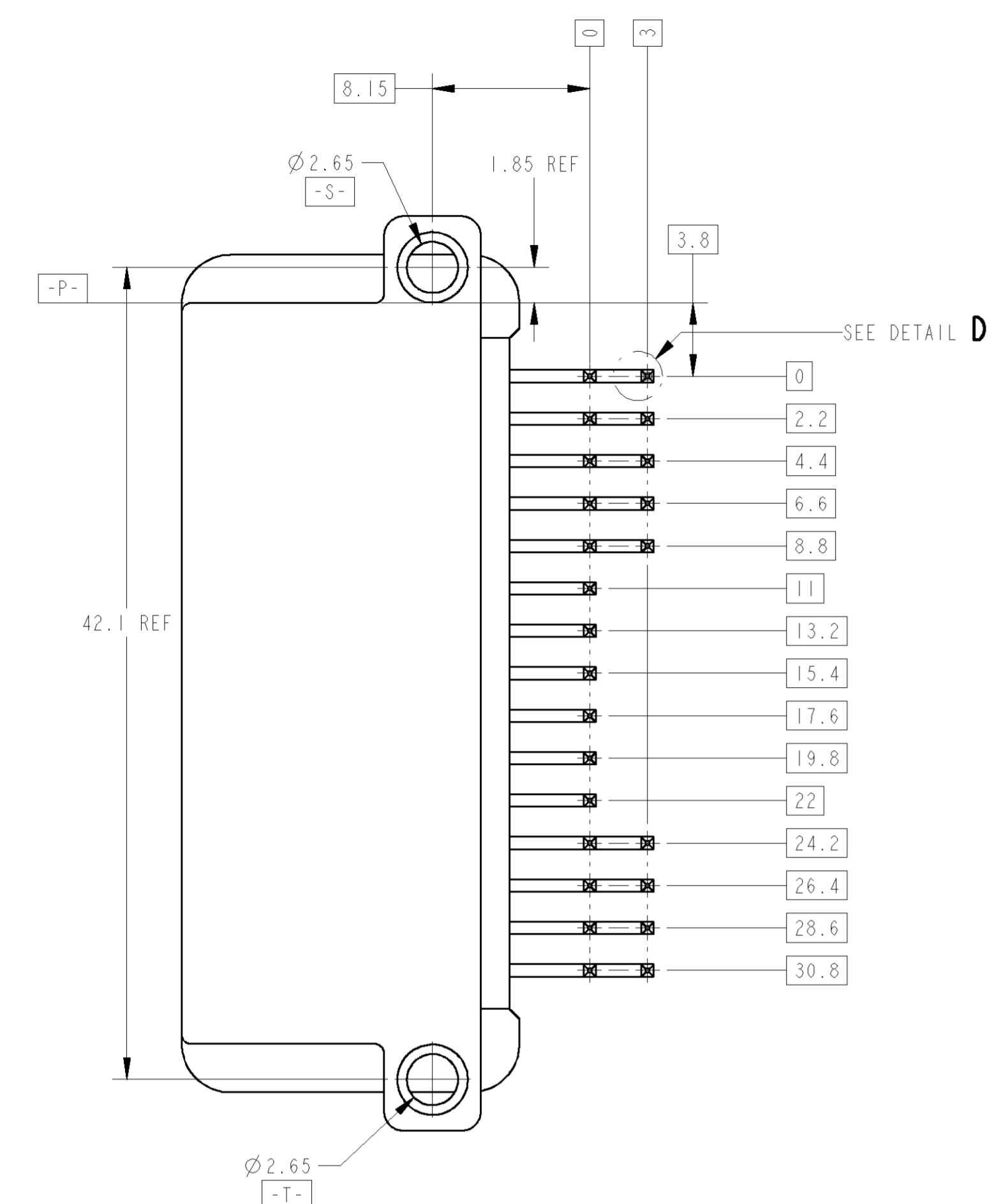


LOC	DIST	REV	DESCRIPTION	ECR	DATE	OWN	APPV
J		B	REVISED	ECR-10-006078	27MAY10	TS	KB
		B1	REVISED	ECR-10-012235	11JUN10	KF	HY



- △ コンタクト仕上識別マーク
- 2. 適用ねじ: JIS B1115, B1122タッピングねじ, 各2種, 呼び径3mm, 長さTABLE-1 参照
- 3. ねじ締めトルク管理値(参考値)は0.392N・m MAX 但し, AMP採用基板ねじの組み合わせの場合である によって, 管理値は別途規定すること
- △ -Z- は6mmの位置で測定
- △ 印刷番号はFIG.1参照
- 6. 嵌合相手: 製品規格108-5829参照
- △ ID MARK, PART NUMBERを表示。

- △ MARKING FOR DESCERMENT OF THE CONTACT FINISH
- 2. APPLICABLE SCREW: PAN-HEADED, TYPE 2 TAPPING SCREW, NOMINAL DIAMETER 3mm LENGTH:SEE TABLE-1 (JIS B1115, B1122)
- 3. FASTENING TORQUE (FOR REFERENCE):0.392N・m MAX THIS FASTENING TORQUE IS COMBINATION OF EVALUATION TAPPING SCREW AND EVALUATION PCB SO, TORQUE FOR OPERATION SHOULD BE PROVIDED RESPECTIVELY.
- △ MEASURED AT 6mm FROM -Z-
- △ CONTACT COMPOSITION ; REFERRED TO FIG.1
- 6. MATING CONNECTOR;SEE PRODUCT SPECIFICATION 108-5829.
- △ ID MARK, PART NUMBER INDICATED.

TABLE-1

プリント基板板厚(mm) THICKNESS OF PCB(mm)	1.2	1.6
固定用ねじ長さ(mm) NOMINAL LENGTH OF SCREW(mm)	5	6

THE DRAWING IS UNPUBLISHED. RELEASED FOR PUBLICATION. IF IT IS SUBJECT TO CHANGE, PLEASE CONTACT YOUR ELECTRONIC DISTRIBUTOR. DIMENSIONS UNLESS OTHERWISE SPECIFIED: 単位:mm		TOLERANCES UNLESS OTHERWISE SPECIFIED: 単位:mm 9-PLC ±0.3 H-PLC ±0.5 B-PLC ±0.13 F-PLC ±0.013 A-PLC ±0.0013		DWN: K. FURUYAMA IOAPRO3 CHK: S. HIRANUMA IOAPRO3 APPV: K. ASAI IOAPRO3 PRODUCT SPEC: 108-5829 APPLICATION SPEC: 4-PLC-10-0001 ANGLES: 4:11-78045		Tyco Electronics Corporation Kawasaki, Japan 025 24P LOW PROFILE CAP HOUSING ASSY	
MATERIAL: HOUSING:SPS CONTACT:BRASS FINISH: SEE SHEET 2 OF 2		WEIGHT: 4.90 g CUSTOMER DRAWING		SIZE: A1 CASE CODE: 00779 DRAWING NO: 1612048		RESTRICTED TO: B1 SHEET 1 OF 2	

