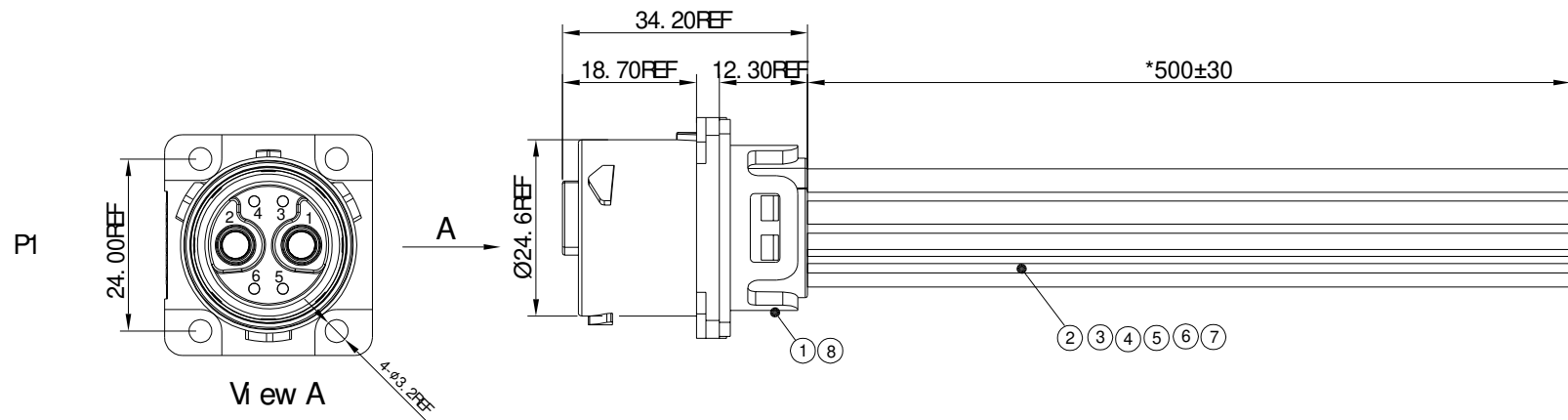


REV.	ECN NO.	DESCRIPTION	SIGN	DATE
Cl	N/A	INITIAL DRAWING	Kevin	2022.06.30

THIS INFORMATION IS CONFIDENTIAL AND IS DISCLOSED TO YOU ON CONDITION THAT NO FURTHER DISCLOSURE IS MADE BY YOU TO OTHER THAN CHOGORI PERSONNEL WITHOUT AUTHORIZATION FROM CHOGORI CORP.



<p>Pin Assignment Front view</p>	6	Brown (20AWG)
	5	Orange (20AWG)
	4	Yellow (20AWG)
	3	Green (20AWG)
	2	Black (9AWG)
	1	Red (9AWG)
	Pin	Wire Color

Specification:  
 1. Operation temperature: -10°C~80°C.  
 2. Insulation resistance: 10MΩ at DC500V.  
 3. Waterproof: IP67 (Mated).  
 4. Voltage Rating: 60V DC.  
 5. Voltage Resistance: AC 1000V, Leakage current <5mA  
 6. Current Rating: 30A+5A  
 7. RoHS compliant.

8	504-00023-00	N/A	M	φ8.0 Heat shrink tube Black
7	900-00101-00410	A/R	M	UL1569 20AWG Brown WFE
6	900-00101-00393	A/R	M	UL1569 20AWG Orange WFE
5	900-00101-00395	A/R	M	UL1569 20AWG Yellow WFE
4	900-00101-00394	A/R	M	UL1569 20AWG Green WFE
3	900-00106-00061	A/R	M	UL3132 9AWG Black Silicone WFE
2	900-00106-00060	A/R	M	UL3132 9AWG Red Silicone WFE
1	13204636-01	1	PC	Mate 2+4 series panel mount with 2F4M
Item	Part No	Qty	Ubm	Description

UNIT:mm		TITLE
TOLERANCE	±0.5	Mate 2+4 series panel mount with 2F4ML=500nm
SCALE: FREE	SHEET 1 OF 1	
REV. Cl	SIZE A4	* :Inspection Item

**CHOGORI**®

PART NO	1IC03622062803	DRAWN BY	Kevin	DATE	2022/06/30	
DWG NO	1IC03622062803	CHECKED BY	Kevin	DATE	2022/06/30	
CUSTOMER		REV.	APPROVED BY	Eric	DATE	2022/06/30